



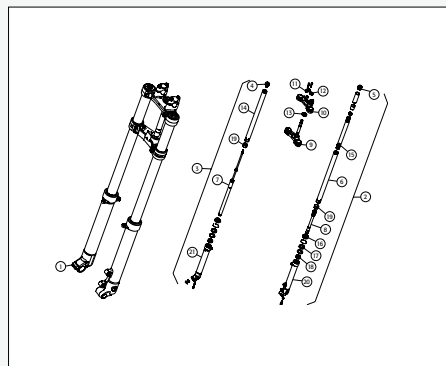
**Beta**  
betamotor.com

**REV 4T 2007**

**Catalogo parti di ricambio Catalogue of spare parts Catalogue pieces de rechange Ersatzteilkatalog Catalogo de piezas de repuesto**

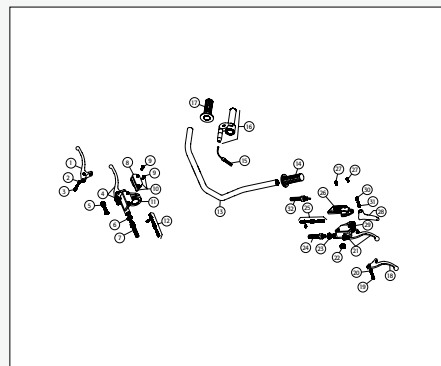


Forcella  
 Front fork  
 Fourche avant  
 Gabel  
 Horquilla



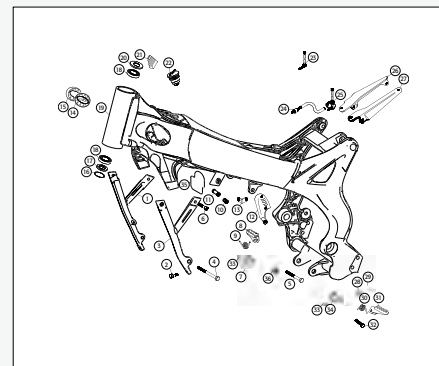
Tav. 1 Page 6

Manubrio  
 Handlebar  
 Guidon  
 Lenker  
 Manillar



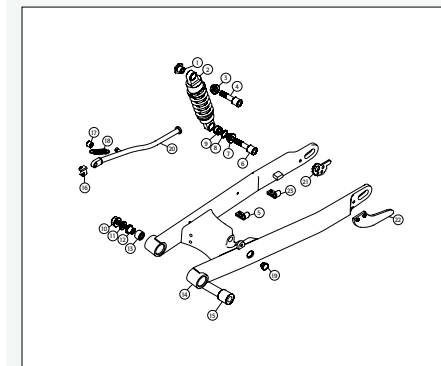
Tav. 2 Page 8

Telaio  
 Frame  
 Cadre  
 Fahrgestell  
 Chassis



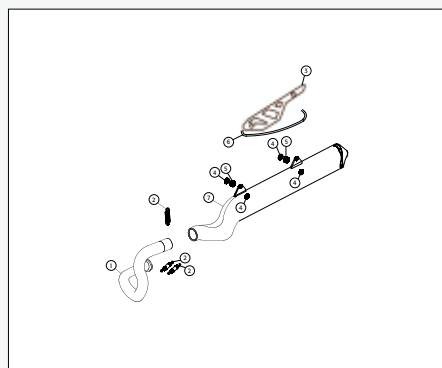
Tav. 3 Page 10

Forcellone  
 Swinging arm  
 Bras oscillant  
 Schwingarm  
 Basculante



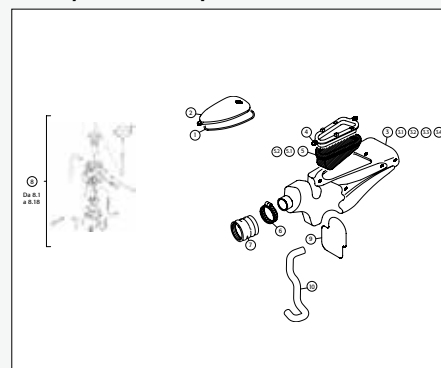
Tav. 4 Page 12

Silenziatore e Marmitta  
 Silencer and muffler  
 Silencieux et pot d'échapp.  
 Auspuff  
 Silenciador



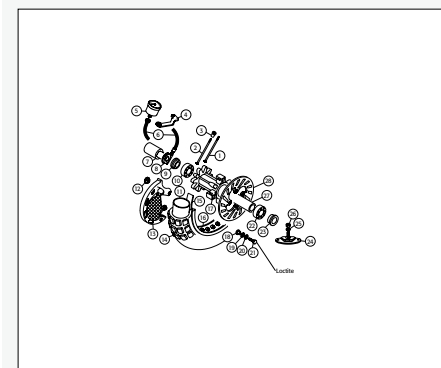
Tav. 5 Page 14

Filtro e scatola aspirazione  
 Filter and injection box  
 Filtre et  
 Luftfilter und filterkasten  
 Filtro y escatula aspiracion



Tav. 6 Page 16

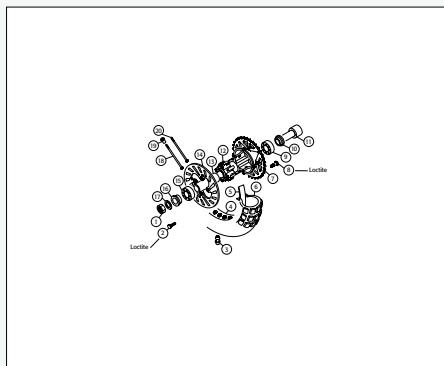
Ruota anteriore  
 Front wheel  
 Rove avant  
 Vorderrad  
 Rueda delantera



Tav. 7 Page 18

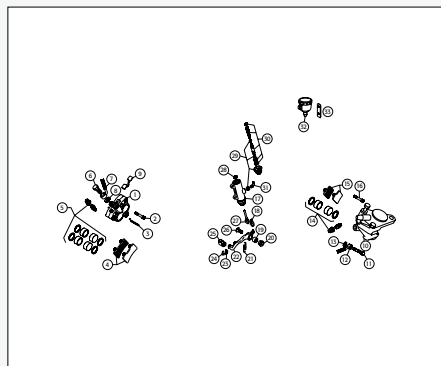


Ruota posteriore  
Rear wheel  
Roue arriere  
Hinterrad  
Rueda trasera



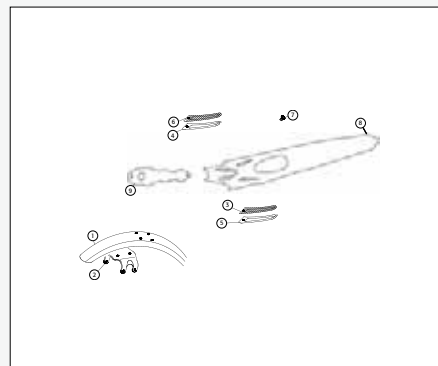
Tav. 8 Page 20

Freni  
Brakes  
Freins  
Bremsen  
Frenos



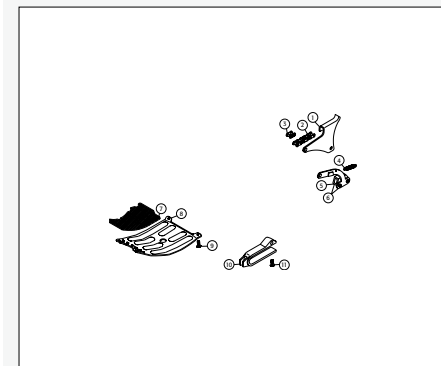
Tav. 9 Page 22

Parafanghi  
Fenders  
Garde-boues  
Kotflügel  
Guardabarras



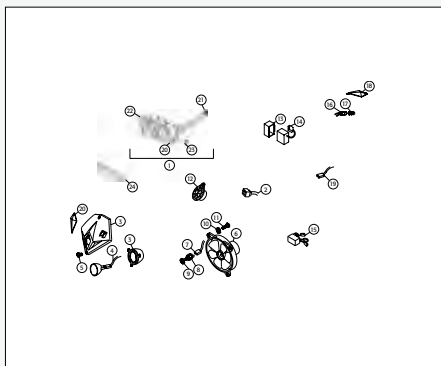
Tav. 10 Page 24

Varie  
Various  
Divers  
Teile  
Varios



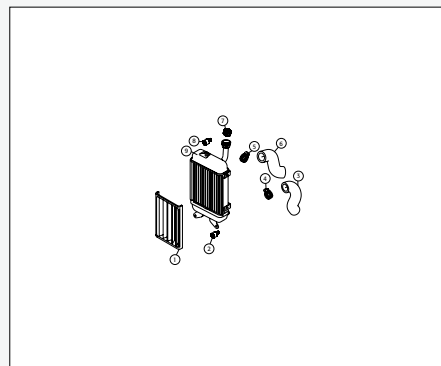
Tav. 11 Page 25

Impianto elettrico  
Electrical system  
Installation électrique  
Elektrische anlage  
Instalacion electrica



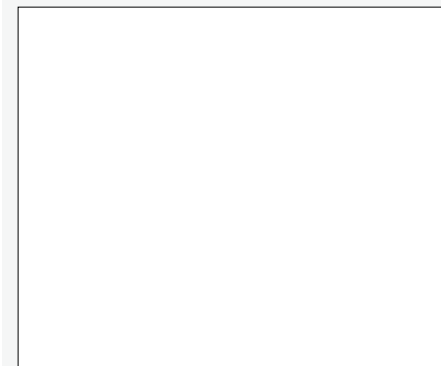
Tav. 12 Page 26

Radiatore  
Radiator  
Radiador  
Kuhler  
Radiador



Tav. 13 Page 28

Particolari non figuranti  
Supplementary oarts list  
Particuliers pas mentionnes  
Nicht verzeichnete teile  
Particulares no figurados

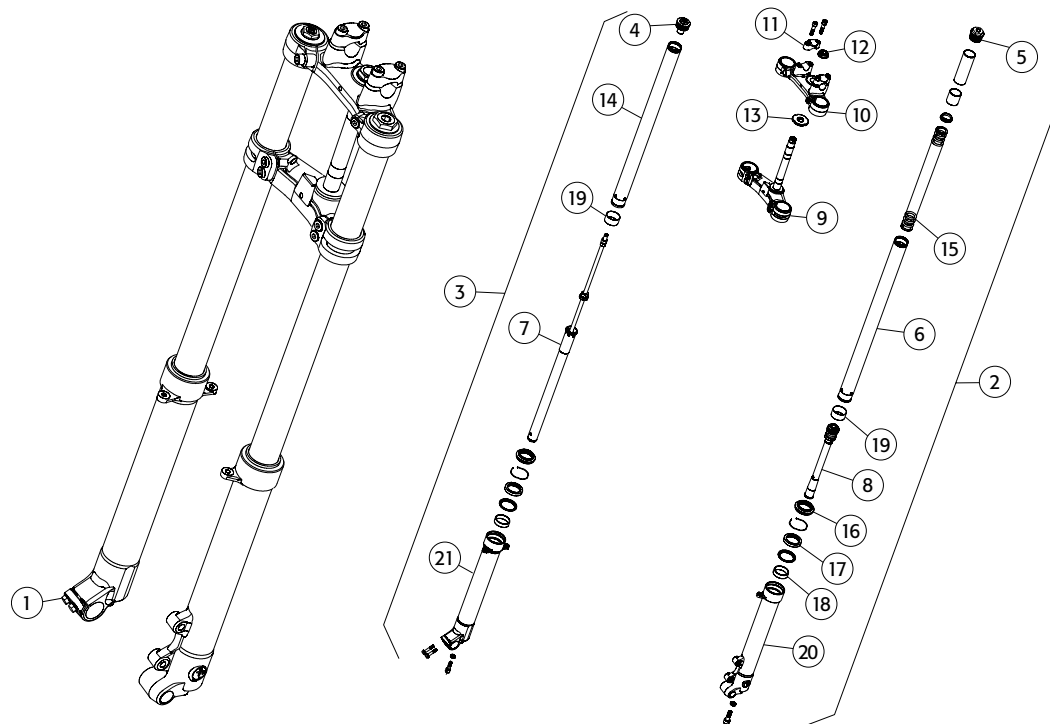


Tav. 14 Page 29

## Forcella

### Front fork - Fourche avant - Gabel - Horquilla

NO	CODE	DESCRIZIONE	DESCRIPTION	DESCRIPTION	BESCHREIBUNG	DESCRIPCIÓN	NO
1	15-08057	Forcella	Front fork	Fourche	Gabel	Horquilla compl.	1
2	16-00991	Gamba forc.sx compl.	Complete left fork leg	Jante gauche compl.	Gabelbein li. Brazo	Horquilla izquierdo compl.	2
3	16-00990	Gamba forc.dx compl.	Complete right fork leg	Jante droit compl.	Standrohr re Brazo	Horquilla derecho compl.	3
4	29-01962	Tappo dx compl. Forc.	RH fork plug	Bouchon droit comp.	Re Gabel Stopfen	Tapon derecho compl.	4
5	29-01972	Tappo sx compl. Forc.	LH fork plug	Bouchon gauche comp.	Li Gabel Stopfen	Tapon izquierdo compl.	5
6	29-40414	Tubo sx compl. Forc.	LH compl. Fork tube	Tube compl.Gauche fourche	Gabelstandrohr links	Tubo izquierdo compl. Horquilla	6
7	12-32983	Cartuccia idraulica forcella	Hidraulic fork spares	Cartouche hydraulique	Hydraulischer Gabeldaempfer	Cartucho hidraulico horquilla	7
8	12-32982	Cartuccia meccanica forcella	Kit mechanic spares fork	Cartouche mecanique	Gabeldaempfer	Cartucho mecanica horquilla	8
9	12-09703-0-57	Crociera con cannotto	Low e yoke	Croisiere a/tube fourche	Untere Gabelbrücke	Pletina con tubo	9
10	29-50187-0-57	Testata forcella	Fork head	Tete fourche	Obere gabelbruecke	Culata horquilla	10
11	12-08258-0-57	Cavalotto focella	Handlebar bracket	Bague fourche	Lenkerbü cke Gabel	Abrazadera horquilla	11
12	11-70071	Bullone per cannotto forcella	Special bolt	Boulon pour jeu inf. Fourche	Mutter Lenkschaft	Tornillo horquilla	12
13	16-20611	Ghiera cannotto forcella	Steering collar Collier tete inf.	Fourche	Mutter Steuerkopf	Ghiera horquilla	13
14	29-40462	Tubo dx completo forcella	RH compl. Fork tube	Tube compl. Droit fourche	Gabelstandrohr rechts	Tubo derecho compl. Horquilla	14
15	22-52702	Molla forcella	Fork spring	Ressort fourche	Gabel Feder	Muelle horquilla	15
16	10-41471	Anello parapolvere forcella	Front fork ring	Joint poussiere fourche	Staubkappe	Junta parapolv o horquilla	16
17	10-41461	Anello di tenuta forcella	Fork oil seal	Bague d'étancheité fourche	Dichtring RSU-Gabel	Junta horquilla	17
18	13-99940	D.U.gamba forcella	D.U. fork slider	Bague jambe de fourche	D.U. Gleitrohr	Casquillo brazo horquilla	18
19	13-99930	D.U. tubo forcella	D.U. fork tube	Bague tube de fourche	D.U. Gabelrohr	Casquillo tubo horquilla	19
20	16-18387-0-57	Gamba forcella sx nuda	Left fork slider	Jante gauche fourche	Gabelbein li.	Brazo horquilla izquierdo	20
21	16-18663-0-57	Gamba forcella dx nuda	Right fork slider	Jante droit fouche	Gabelbein rechts	Brazo horquilla derecho	21

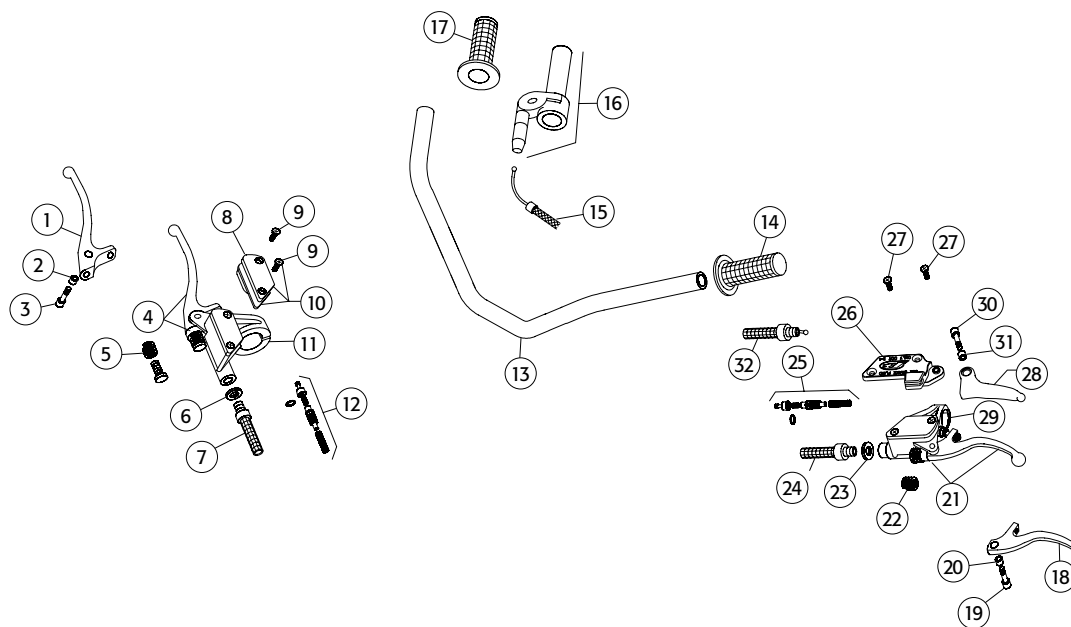


# Manubrio

## Handlebar - Guidon - Lenker - Manillar

NO	CODE	DESCRIZIONE	DESCRIPTION	DESCRIPTION	BESCHREIBUNG	DESCRIPCIÓN	NO
1	21-27103	Leva freno anter.nuda	Front brake lever only	Levier frein avant nue	Bremshebel	Maneta freno	1
2	11-26465	Boccola x leva freno-friz.	Bush	Douille	Buchse	Casquillo	2
3	31-96818	Vite spec.x leva freno-friz.	Screw	Vis	Schraube	Tornillo	3
4	21-02065	Leva com. freno anter.	Front brake lever	Levier complet frein avant	Bremsarmatur	Bomba freno delantero	4
5	22-38701	Molla registro leva freno ant.	Front brake lever adj. spring	Ressort enregistrement levier	Feder	Muelle regul. bomba freno	5
6	16-50510	Guarnizione 10x15x1 in rame	Gasket 10x15x1	copper Joint 10x15x1	cuivre Dichtung 10x15x1	Kupfer Junta 10.15.1 (cobre)	6
7	29-09123	Tubo freno anteriore	Front brake hose	Tube frein avant	Bremsleitung	Tubo freno delantero	7
8	12-68107	Coperchio serbatoio olio	Oil tank cover	Couvercle reservoir huile	Kuppl. Pumpe Deckel	Tapa deposito aceite	8
9	31-23410-0-52	Vite coperchio serbatoio olio	Screw	Vis couvercle reservoir huile	Schraube	Tornillo tapa deposito aceite	9
10	20-05075	Kit serbatoio olio pompa	Oil seal cover for pump	Jeu reservoir huile pompe	Reparaturatz Bremsarmatur	Jui ego deposito bomba aceite	10
11	12-55016	Collarino fissaggio leva	Fixing rest clutch lever	Petit collier fixation levier	Befestigung f. Bremshebel	Guarnicion fijacion palanca	11
12	20-05083-8	Kit pistoncino pompa	Piston kit for pump	Kit petit piston pompe	Reparaturatz Brems/Kupplu	Jrumegaotupr iston bomba	12
13	22-20465	Manubrio	Handlebar	Guidon	Lenker	Manillar	13
14	22-18531	Manopole (coppia)	Grips (pair)	Poignees (couple)	Lenker Griffe	Puños goma (juego)	14
15	29-14791-0-52	Trasmissione gas	Throttle cable	Cable gas	Gaszug	Cable transmision gas	15
16	12-55092	Comando gas	Twist grip	Commande gaz	Gasgriff	Mando gas	16
17	22-18531	Manopole (coppia)	Grips (pair)	Poignees (couple)	Lenker Griffe	Puños goma (juego)	17
18	21-27084	Leva com.friz.nuda	Clutch lever only	Levier compl.embrayage nue	Kupplungshebel	Maneta embrague	18
19	31-96818	Vite spec. X leva freno-friz.	Screw	Vis	Schraube	Tornillo	19
20	11-26465	Boccola x leva feno-friz.	Bush	Douille	Buche	Casquillo	20
21	21-02432	Leva com. frizione	Clutch lever	Levier complet embrayage	Kupplungsarmatur	Bomba embrague	21
22	22-38701	Molla registro leva freno ant.	Front brake lever adj. spring	Ressort enregistrement levier	Feder	Muelle regul. bomba freno	22
23	16-50510	Guarnizione 10x15x1 in rame	Gasket 10x15x1 copper	Joint 10x15x1 cuivre	Dichtung 10x15x1 Kupfer	Junta 10.15.1 (cobre)	23
24	29-09103	Tubo frizione Idraulica	Clutch hose	Tube embrayage	Kupplungsleitung	Tubo embrague hidraulico	24
25	20-03715	Kit pistoncino pompa	Piston kit for pump	Kit petit piston pompe	Reparaturatz Brems/Kuppl.	Jrumegaotupr iston bomba	25
26	12-55925	Coperchio serbatoio olio	Oil tank cover Couver	cle reservoir huile	Kuppl. Pumpe Deckel	Tapa deposito aceite	26
27	31-23410-0-52	Vite coperchio serbatoio olio	Screw	Vis couvercle reservoir huile	Schraube	Tornillo tapa deposito aceite	27
28	21-70146	Levetta comando alzavalv.	Lever	Levier commande valve levier 2102427	Kickstarter	Palanca mando valvulas	28
29	12-55016	Collarino fissaggio leva	Fixing rest clutch lever	Petit collier fixation levier	Befestigung f. Bremshebel	Guarnicion fijacion palanca	29
30	31-26200-0-01	Vite 4.12 tcic	Screw 4.12	Vis 4.12 T.C.C.C.	Schraube 4.12	Tornillo 4.12 Tcic - palanca hs	30
31	13-48864	Distanziale	Spacer, hs lever	Entretoise levier hs	Distanz f. Starthebel	Distanciador palanca hs	31
32	29-22060	Trasmissione HS	Hot start cable	Transmission hs	Leitung hs	Transmission hs	32



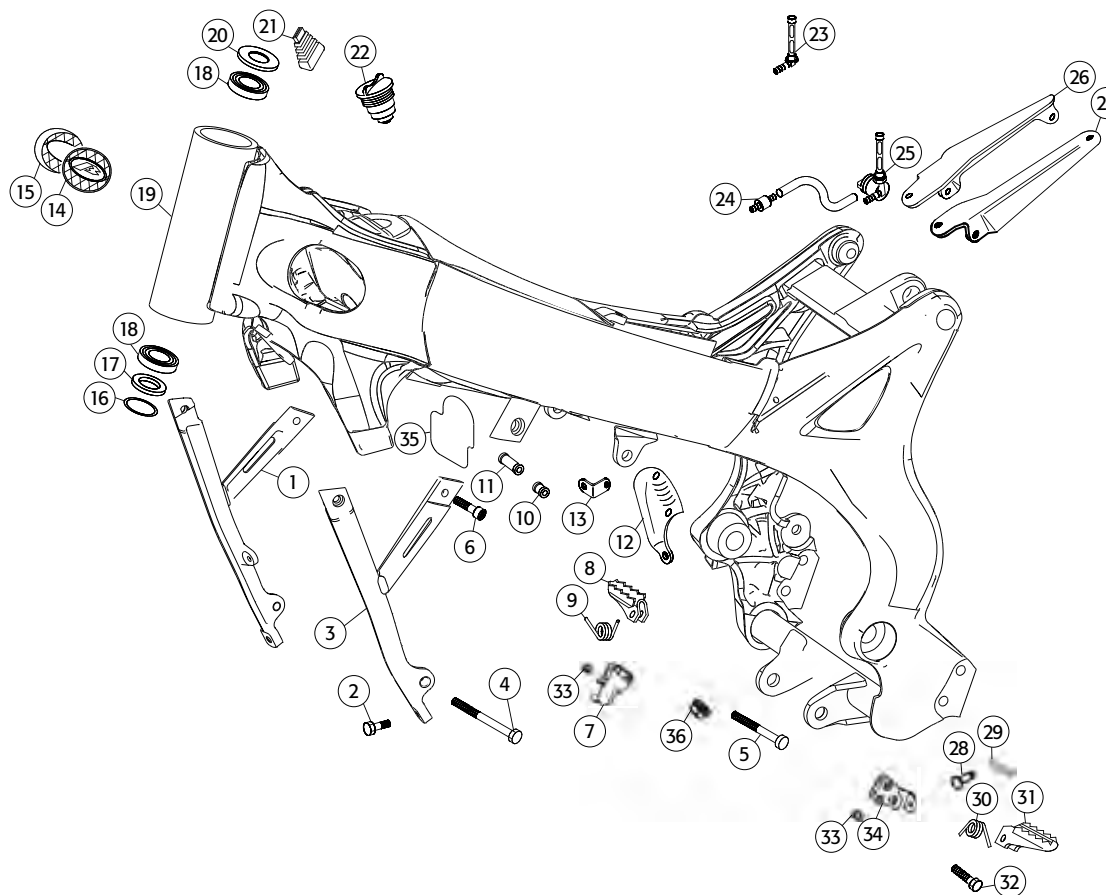


# Telaio

## Frame - Cadre - Fahrgestell - Chassis

NO	CODE	DESCRIZIONE	DESCRIPTION	DESCRIPTION	BESCHREIBUNG	DESCRIPCIÓN	NO
1	29-11337	Telaio collegamento dx	RH connecting frame rod	Cadre connexion droit	Strebe Rahmen re	Subchasis dch.	1
2	11-54521	Bullone 8x16 rs c/rond. ch10	Bolt 8x16 ch10	Boulon 8x16 rs a/rond.ch10	Schraube 8x16 ch 10	Tornillo 8.16 rs c/arandela	2
3	29-11344	Telaio collegamento sx	LH connecting frame rod	Cadre connexion gauche	Strebe Rahmen li	Subchasis izq.	3
4	11-63955	Bullone 10x135 pf ch17 rs	Bolt 10x135	Boulon 10x135 pf ch17 rs	Bolzen 10x135	Tornillo 10.135 pf ch 17 rs	4
5	31-65627	Vite brugola 10x100x1,25	Screw 10x100x1,25	Vis a tete a six pans 10x100	Schraube 10x100x1,25	Tornillo tcce 10x100x1,25	5
6	31-63881	Vite brugola 8x16 bassa	Screw 8x16	Vis a tete a six pans 8x16bas	Schraube 8x16	Tornillo allen tcce 8.16	6
7	28-99294	Supporto pedana p/piedi dx	RH footrest bracket	Support repose-pieds droit	Rastenthaler re	Soporte estribera derecho	7
8	25-32524	Pedana poggiapiedi dx	RH footrest	Repose-pieds droit	Fußraste re.	Estribera dhc	8
9	22-62010	Molla pedana dx	Footrest spring	Ressort repose-pied droit	Rasten/Feder re.	Muelle derch. Estribera	9
10	13-48863	Distanziale sx	Spacer, head	Entretoise reservoir	Distanz zylinderkopf li.	Distanciadador culata izquierdo	10
11	13-48862	Distanziale dx	Spacer, head	Entretoise reservoir	Distanz zylinderkopf re.	Distanciadador culata derecho	11
12	28-95331-0-59	Supporto bobina	Coil bracket	Support bobine	Zündspulenschutz	Soporte bobina	12
13	28-97019	Staffa supporto attac.bobina	Plait, coil bracket	Etrier superieur fixation bobine	Haelterzuendspule	Soporte bobina	13
14	16-44563-1-59	Griglia presa aria sx telaio	Frame lf grill	Grille prise d'air gauch.cadre	Rahmendeckel li. REV-3	Rejilla toma aire sx chassis	14
15	16-44562-1-59	Griglia presa aria dx telaio	Frame rh grill	Grille prise d'air droite cadre	Rahmendeckel re. REV-3	Rejilla toma aire dx chassis	15
16	10-66860	Anello OR 34,60 x2,62	OR 34,60x2,62	OR 34,60x2,62	Wedi 34,60x2,62	Junta torica 34,60x2,62	16
17	10-67390	Anello parapolvere forcella	F/fork dust ring	Cache poussiere fourche	F/Gabel Aluminium Ring	Junta guardapolvo direccion	17
18	12-98300	Cuscinetto conico20X42X15	Conical bearing 20x42x15	Roulement conique20x42x15	Lager 20x42x15	Cojinete conico 20.42.15	18
19	29-11486	Telaio anteriore	Front frame	Cadre avant	Gutschrift Rahmen	Chasis	19
20	28-17750	Scodellino parapolvere forc.	Retainer upper fork	Cuvette pour fourche	Lagerschale oben	Arandela guardapolvo sup.horq.	20
21	16-21910-0-59	Gommino passafili	Gulding-slit rubber	Pastilles en caoutchouc x fils	Kabelführung	Goma pasacables	21
22	29-10512-8-59	Tappo serb.benz. c/valvola	Fuel tank plug w/breat. Valve	Bouchon reservoir essence	Tankdeckel	Tapon gasolina con valvola	22
23	27-81083	Rubinetto miscela	Petcock	Robinet melange	Benzinhahn	Grifo gasolina	23
24	15-24651	Filtro benzina	Gasoline filter	Filtre essence	Benzinfilter	Filtro gasolina	24
25	27-81082	Rubinetto miscela	Petcock	Robinet melange	Benzinhahn	Grifo gasolina	25
26	28-97018	Staffa sup. dx scatola filtro	Plait, air filter box	Etrier superieur boite de filtre	Rahmenheck rechts	Placa sop. caja filtro dx	26
27	28-97017	Staffa sup. sx scatola filtro	Plait, air filter box	Etrier superieur boite de filtre	Rahmenheck links	Placa sop. caja filtro sx	27
28	25-54467	Perno pedana poggiapiedi	Pin	Pivot	Zapfen	Perno	28
29	12-81993	Copiglia 3x20	Split pin, 3x20	Goupille 3x20	Splint f. 3x20	Splint fuer	29
30	22-62020	Molla pedana sx	Footrest spring	Ressort repose-pied gauche	Rasten/Feder li. Muelle izqui.	Estribera	30
31	25-32534	Pedana poggiapiedi sx	LH footrest	Repose-pieds gauche	Fußraste li.	Estribera izq.	31
32	11-55050	Bullone 8x25 ch13 rs	Bolt 8x25	Boulon 8x25 ch13 rs	Bolzen 8x25	Tornillo 8.25 ch 13 rs	32
33	18-84645	Inserto speciale M8	Bush, M8	Insert M8	Im kaefig M8	En jaula M8	33

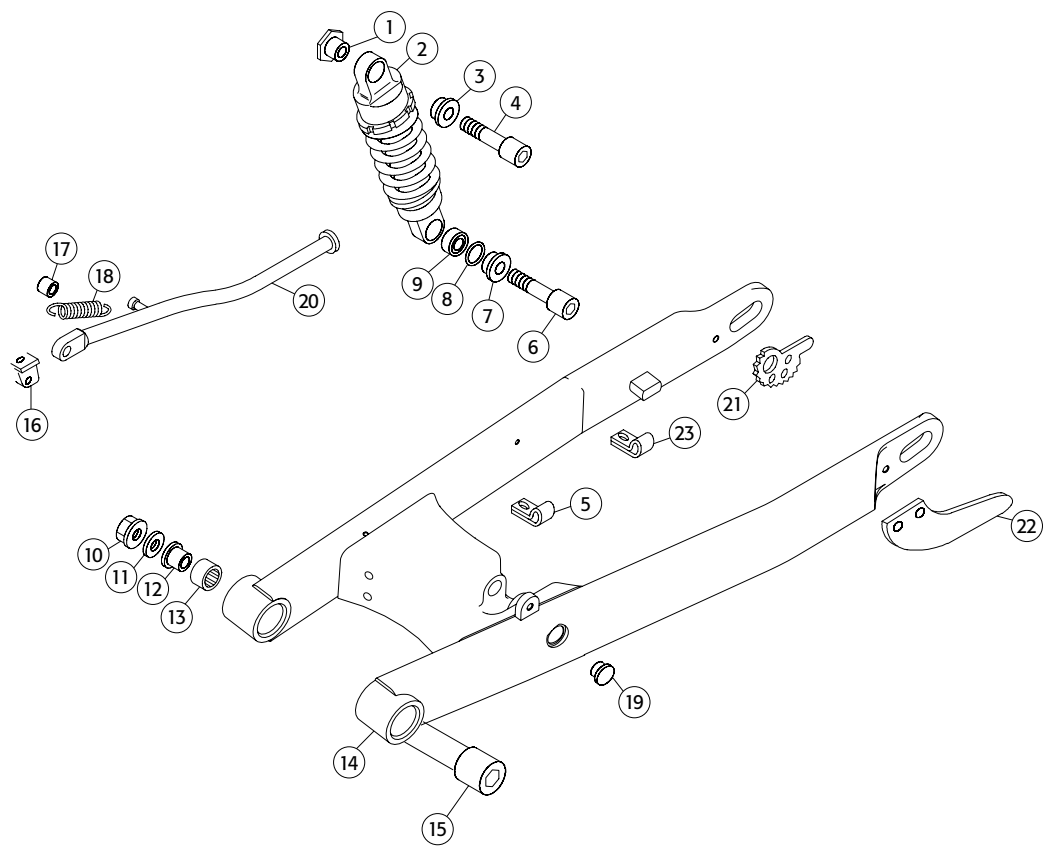
NO	CODE	DESCRIZIONE	DESCRIPTION	DESCRIPTION	BESCHREIBUNG	DESCRIPCIÓN	NO
34	28-99304	Supporto pedana p/piedi sx	LH footrest bracket	Support repose-pieds gauch.	Rastenthaler li	Soporte estribera izquierdo	34
35	15-02521	Feltro isolante	Insulating felt	Feutre isolant	Daemmaterial benzintank unten	Filtro aislante deposito	35
36	13-21050	Dado autob.flag. M10X1,25	Nut m10x1,25 on	E'crou 10x1,25nt	Mutter 10x1,25	Tuerca 10x1,25	36



## Forcellone

### Swinging arm - Bras oscillant - Schwingarm - Basculante

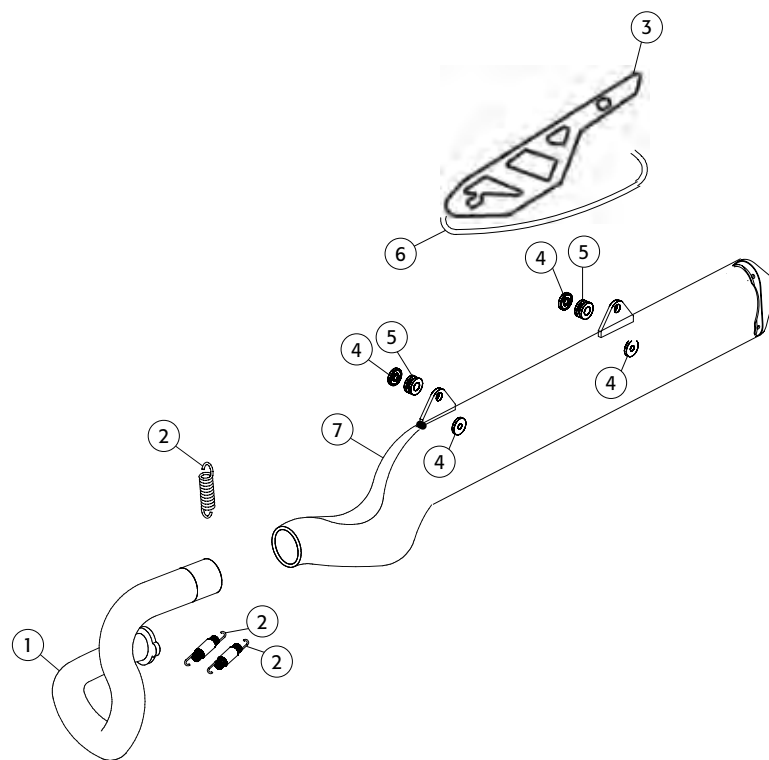
NO	CODE	DESCRIZIONE	DESCRIPTION	DESCRIPTION	BESCHREIBUNG	DESCRIPCIÓN	NO
1	13-21847	Dado spec. ammortizzatore	Nut special shock absorber	Ecrou spec. amortisseur	Mutter Federbeinaufnahme	Tuerca especial amort.	1
2	10-03724	Ammortizzatore	Shock absorber	Ammortisseur	Stossdämpfer	Amortiguador	2
3	11-28811	Boccola per snodo sferico	Bush spherical bearing	Douille pour joint a rotule	Buchse	Casquillo para rotula amort.	3
4	11-65022	Bullone spec.Ammortiz.	Special bolt shock absorber	Boulon spec. Ammortisseur	Schraube Stossdämpferbef.	Tornillo esp. Amortiguador	4
5	15-14300	Fascetta fissaggio tubo freno	Clamp	Collier fix. tube frein arriere	Befestigungschelle Brems.	Bhrida fijacion freno post.	5
6	11-65022	Bullone spec. Ammortiz.	Special bolt shock absorber	Boulon spec. Ammortisseur	Schraube Stossdämpferbef.	Tornillo esp. Amortiguador	6
7	11-28813	Boccola per snodo sferico	Bush spherical bearing	Douille pour joint a rotule	Hülse Federbein oben	Casquillo para rotula amort	7
8	10-67361	Anello OR ammortizzatore	Swinging arm OR	OR amortisseur	O-Ring	Junta torica amortiguador	8
9	28-93251	Snodo sferico ammortiz.	Shock absorber spheric juct.	Joint a rotule amortisseur	Kugelgelenk	Rotula esferica amortiguador	9
10	13-29510	Dado spec. 16x1,25	Special nut 16x1,25	Ecrou spec. 16x1,25	Schwinge spezial Mutter	Tuerca esp. 16.1,25 basc.	10
11	27-67500-0-60	Rondella spess. 16x25x0,6	Washer 16x25x0,6	Rondelle epais. 16x25x0,6	Scheibe 16x25x0,6	Arandela spec. 16.25.0,6	11
12	13-49200	Distanziale forcellone	Spacer	Entretoise bras osc.Distanz	Schwingenlagerung	Distanciador basculante	12
13	11-23000	Boccola a rulli 22x28x18	Needle bearing 22x28x18	Douille a roulem. 22x28x18	Nadellager 22x28x18	Cojinete agijas 22.28.18 basc.	13
14	15-49595-8	Forcellone con elicoidi	Swinging arm assy	Bras oscillant compl,elicoide	Schwinge	Basculante	14
15	25-55771	Perno forcellone	S/arm spindle	Pivot bras ascillant	Schwingenachse	Eje basculante	15
16	28-98582-0-66	Supporto cavalletto	Stand bracket	Support bequille	Halter Sertenstaender	Soporte caballete	16
17	13-46300	Distanziale cavalletto	Spacer stand	Entretoise bequille	Distanz REV	Distanciador caballete	17
18	22-47024	Molla cavalletto	Sdide stand spring	Ressort bequille	Feder Ständer	Muelle caballete	18
19	29-10593	Tappo in gomma forcellone	Rubber plug, s/arm	Bouchon en caoutchouc	Stopfen Schwinge	Tapa goma basculante	19
20	12-39936-0-66	Cavalletto	Stand	Bequille	Seitenständer	Caballete	20
21	29-11860	Tendicatena	Chain tensioner	Tendeur	Kettenspanner	Tensor cadena	21
22	25-98955	Protezione corona	Rear sprocket protection	Protection couronne	Kettenblattschutz	Protector corona trial	22
23	15-14300	Fascetta fissaggio tubo freno	Clamp	Collier fix. tube frein arriere	Befestigungschelle Brems.	Bhrida fijacion freno post.	23



## Silenziatore e Marmitta

### Silencer and muffler - Silencieux et pot d'échapp. - Auspuff - Silenciador

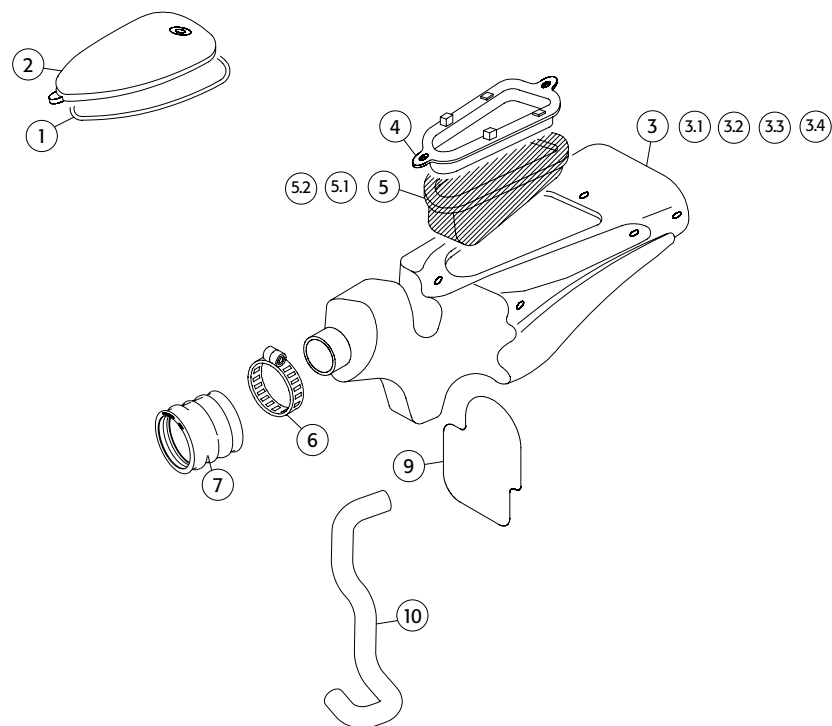
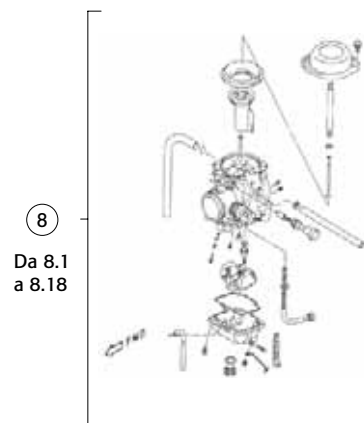
NO	CODE	DESCRIZIONE	DESCRIPTION	DESCRIPTION	BESCHREIBUNG	DESCRIPCIÓN	NO
1	29-16272	Tubo scarico	Exhaust tube	Tube vidange	Krümmer	Tubo escape parte	1
2	22-48823	Molla per tubo scarico	Spring, exhaust pipe evo	Ressort tube d'échappement evo	Muelle escape evo	Auspufffeder evo	2
3	12-88415	Coprimarmitta centrale	Muffler cover	Cache pot d'échappement	Karbonabdeckung Schalldäm.	Cubresilencioso final	3
4	13-49187	Distanziale silent-block	Spacer, silent -block	Entretoise	Distanz	Distanciador	4
5	28-91946	Silent-block marmitta	Silent-block	Silent-block pot d'echap.	Silent-Block	Silent-block escape	5
6	15-02517	Feltro isolante scarico	Soundproofing felt for muffler evo	Feutre isolant pot d'échappement evo	Daemmaterial carbonabdeckung evo hi.	Filtro aislante silenciador evo tras.	6
7	22-03361	Marmitta centrale	Muffler	Pot d'échappement central	Mittelschalldämpfer REV	Escape central	7



## Filtro e scatola aspirazione - Filter and injection box - Filtre et Luftfilter und filterkasten - Filtro y escatula aspiracion

NO	CODE	DESCRIZIONE	DESCRIPTION	DESCRIPTION	BESCHREIBUNG	DESCRIPCIÓN	NO
1	16-75910	Guarnizione 5mm	Gasket 5mm	Joint 5mm	Dichtgummi Luftfilterdeckel	Goma caja filtro d5x500	1
2	12-73214-8-59	Coperchio accesso a filtro	Air filter cover	Couvercle filtre	Deckel Luftfilterkasten	Tapa guardabarros tras. Filtro	2
3	28-12757-8-59	Scatola filtro	Air filter box	Boite de filtre	Filterkasten	Caja filtro aire	3
3.1	15-02520	Feltro isolante scatola filtro evo	Soundproofing felt for airbox	Feutre isolant boite de filtre evo	Daemmaterial filterkasten evo	Fieltro aislante silenciador evo tras.	3.1
3.2	16-33785	Gommino sfiato serbatoio	Tank rubber	Caoutchouc reservoir	Gummidichtung benzintank	Goma deposito	3.2
3.3	27-11320	Raccordo x cuffia olio tempo/96 / rr	Connector for oil protection	Raccord pour cache huile tempo/96	Verbindung oelschlauch	Enlace cofia aceite tempo/96 / rr	3.3
3.4	28-12757-1-59	Scatola filtro rev 4t - nuda	Filter box, rev 4t - not ass.	Boite de filtre rev 4t	Filterkasten rev 4t	Escatula filtro rev 4t	3.4
4	28-98099-0-59	Supporto fissaggio filtro	Filter bracket	Support fixation filtre	Halter Lufi	Soporte fij.filtro	4
5	15-26054	Filtro in spugna	Air filter	Filtre en eponge	Luftfilter	Espuma filtro	5
5.1	27-28488-8	Rompifiamma	Flame damper	Damper de flamme	Flamme damper	Damper de la llama	5.1
5.2	27-28488	Rete per gabbia	Air filter cage net	Reseau pour cage filtre air rev 4t	Luftfilterkaefig rev 4t	Red jaula filtro aire rev 4t	5.2
6	15-15380	Fascetta 33x53	Clamp 33x53	Collier 33x53	Schlauchbinder	Brida 33/53	6
7	22-13643	Manicotto scatola filtro	Rubber sleeve	Douille boite de filtre	Gummischlauch verga-luft.	Manguito caja filtro	7
8	12-04990-8-00	Carburatore con regolaz.	Carburetor, Assy	Carburateur avec regulation	Vergaser mit regler	Carburador con regulador	8
8.1	10-42660	Anello di fissaggio membrana	Holding ring	Joint torique	Dichtring	Anillo	8.1
8.2	10-91150	Atomizzatore	Atomizer	Atomiseur	Zerstäuber	Atomizador	8.2
8.3	13-36150	Diaframma	Diaphragm	Diaphragme	Membrane	Diafragma	8.3
8.4	13-48865	Distanziale Getto	Spacer	Entretoise gicleur	Distanz f. duese	Distanciador	8.4
8.5	16-42092	Getto massimo 125	Main jet,125	Gicleur principal 125	Hauptduese 125	Surtidor de alta 125	8.5
8.6	16-42260	Getto massimo 127,5	Main jet,127,5-special setting	Gicleur principal 127,5-setting special	Hauptduese 127,5 spezial	Surtidor de alta 127,5	8.6
8.7	16-42093	Getto massimo 130	Main jet,130	Gicleur principal 130	Hauptduese 130	Surtidor de alta 130	8.7
8.8	16-42435	Getto minimo 25	Pilot jet,125	Gicleur ralenti 25	Leerlaufduese 25	Surtidor de baja 25	8.8
8.9	16-42342	Getto minimo 27,5	Pilot jet,127,5-special setting	Gicleur ralenti 27,5-setting special	Leerlaufduese 27,5 spezial	Surtidor de baja 27,5	8.9
8.10	16-42436	Getto minimo 30	Pilot jet,130	Gicleur ralenti 30	Leerlaufduese 30	Surtidor de baja 30	8.10
8.11	22-43115	Molla valvola	Spring, valve	Ressort valve	Feder - Ventil	Muelle valvula	8.11
8.12	22-43116	Molla spillo	Spring, Jet Needle	Ressort epingle	Feder - Dusennadel	Muelle aguja	8.12
8.13	25-87160	Polverizzatore	Sprayer	Pulverisateur	Einspritzduese	Pulverizador	8.13
8.14	27-23472	Raccordo per sfiato	Breather pipe hose	Raccord pour cache huile	Verbindung oelschlauch	Enlace cofia aceite	8.14
8.15	28-94268	Spillo	Jet Needle	Epingle	Dusennadel	Aguja	8.15
8.16	29-15811	Tubo Benzina	Gasoline Tube	Tube essence	Schlauch	Tubo gasolina	8.16
8.17	31-02184	Valvola a membrana	Valve	Valve	Membranventil	Valvula	8.17
8.18	36-11565	Valvola a spillo	Float valve set	Valve	Schwimmernadelventil	Valvula	8.18
9	25-24412	Paraschizzi scatola filtro	Filter box mudguard	Cache-taches boite de filtre	Spritzschutz Luftfilter	Faldon goma caja filtro	9
10	29-15839	Tubo sfiato olio rev 4t '07	Pipe, exit oil	Tube huile rev 4t '07	Luftloch fuer oel rev 4t '07	Tubo aceite rev 4t '07	10

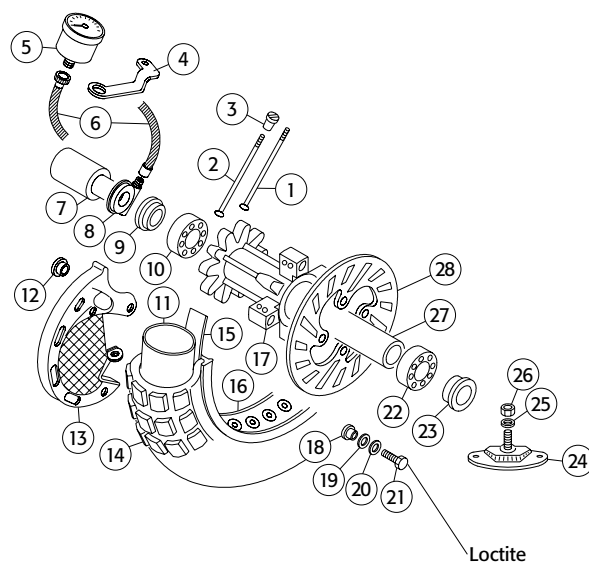




## Ruota anteriore

### Front wheel - Rove avant - Vorderrad - Rueda delantera

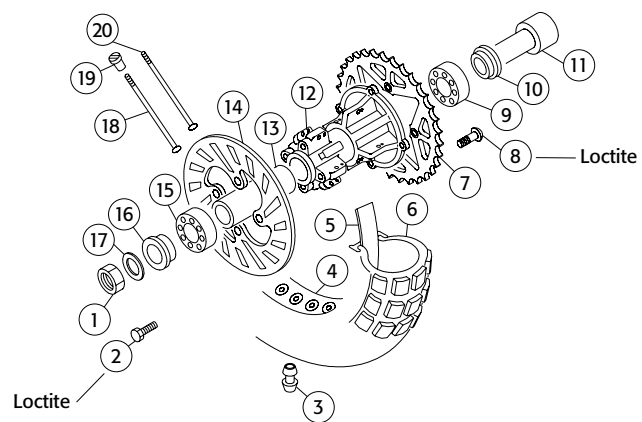
NO	CODE	DESCRIZIONE	DESCRIPTION	DESCRIPTION	BESCHREIBUNG	DESCRIPCIÓN	NO
1	27-24196	Raggio 3x254 c.169	Spoke 3x254 c.169	Rayon 3x254 c,169	Speiche 3x254 c.169	Radio 3x254 c.169	1
2	27-24197	Raggio 3x256 c.169	Spoke 3x256 c.169	Rayon 3x256 c,169	Speiche 3x256 c.169	Radio 3x256 c.169	2
3	23-10100	Nipples	Nipples	Nipples	Nippel	Nipples	3
4	28-97232	Staffa supporto conta-Km	Bracket	Etrier support compteur	Klemme	Soporte cuenta km.	4
5	12-09361	Conta km	Speedometer	Compteur	Tachometer	Cuenta km. tr.	5
6	29-25406	Trasmissione conta-Km	Speedometer cable	Cable compteur	Tachowelle	Cable cuenta km.	6
7	25-56813	Perno "ergal" ruota anteriore	Front wheel axle	Pivot roue avant	Vorderradachse	Eje ergal ruoda delantera	7
8	27-32462	Rinvio conta-Km	Speed-drive	Renvoi compteur	Tachobtrieb	Reenvio cuenta km.	8
9	13-85764	Distanziale mozzo ant.Sx/Dx	LH and RH front hub spacer	Entretoise moyeu avant	Distanz li/re	Dist.,buje delt.04 izq. l/disco	9
10	12-98010	Cuscinetto 20X42X12stagno	Ball bearing 20x42x12	Roulement20x42x12etanche	Kugellager 20x42x12	Cojinete 20.42.12 blindado	10
11	12-16410	Camera 2,75x21	Tube 2,75x21	Tube 2,75x21	Schlauch 2,75x21	Camara 21ab	11
12	13-55240	Distanziale copridisco anter.	Spacer	Entretoise couvercle disq.av.	Distanz	Distanciadador cubredisco ant.	12
13	12-88263-1-33	Copridisco anter.	Front brake disk cover	Cache disque avant	Bremsscheibenabdeckung v.	Cubredisco ant.	13
14	12-79400	Copertura 2,75x21	Tire 2,75x21	Couverture 2,75x21	Reifen 2,75x21	Cubierta 2.75x21 trial	14
15	15-38200	Flap 21x25	Bead 21x25	Flap21x25	Felgenband 21x25	Flap cinta tapa radios 21.25	15
16	12-42531	Cerchio 21x1,6x32	Rim 21x1,6x32	Jante 21x1,6x32	Felge 21X1,6X32	Llanta morad 21.1,6-32	16
17	22-07194-0-57	Mozzo anteriore c/cuscinetti	Front hub with ballbearing	Moyeu avant avec roulem.	Nabe vo.	Buje ant./cojinetes	17
18	13-62251	Distanziale disco freno	Spacer	Entretoise disque roues	Distanz	Distanciadador disco	18
19	22-31980	Molla a Tazza	Cup spring	Ressort disque	Federscheibe	Muelle disco	19
20	27-57510	Rondella spess. 6x18,5x1	Washer 6x18,5x1	Rondelle epaisseur 6x18,5x1	Scheibe 6x18,5x1	Arandela spess. 6.18,5.1	20
21	11-49510	Bullone 6x25 ch10 rs	Bolt 6x25	Boulon 6x25 ch10 rs	Bolzen 6x25	Tornillo 6.25 ch 10 rs	21
22	12-98010	Cuscinetto20X42X12stagno	Ball bearing 20x42x12	Roulement 20x42x12	etanche Kugellager20x42x12	Cojinete 20.42.12 blindado	22
23	13-85764	Distanziale mozzo ant.Sx/Dx	LH and RH front hub spacer	Entretoise moyeu avant	Distanz li/re	Dist.,buje delt.04 izq. l/disco	23
24	15-17500	Fermafascioni	Tire fastener	Caoutchouc serrure chambre	Reifen Halter	Agarre cubierta ant.	24
25	27-48000	Rondella 8grower	Washer 8 grower	Rondelle 8 grower	Scheibe 8	Arandela grower 8	25
26	13-17000	Dado 8x8 ch13	Nut 8x8	Ecrou 8x8 ch13	Mutter 8x8	Tuerca 8.8 ch13	26
27	13-62703	Distanziale int, mozzo anter.	Front hub inner spacer	Entretoise int. moyeu avant	Distanzscheibe	Distanciadador int buje del.	27
28	13-39277	Disco freno anteriore	Front brake disk	Disque frein avant	Bremsscheibe vo.	Disco trial delantero	28



## Ruota posteriore

### Rear wheel - Roue arriere - Hinterrad - Rueda trasera

NO	CODE	DESCRIZIONE	DESCRIPTION	DESCRIPTION	BESCHREIBUNG	DESCRIPCIÓN	NO
1	13-29602	Dado 16x1,5	Nut 16x1,5	Ecrou 16x1,5	Rad Mutter 16x1,5	Tuerca 16.1,5	1
2	11-49012	Bullone 6x20 ch10 rs c/loct.	Bolt 6x20	Boulon 6x20 ch10 rs	Bolzen 6x20	Tornillo 6.20 ch 10 rs	2
3	31-10001	Valvola aria tubless	Tubeless valve	Valve air tubless	Reifenventil	Valvula aire tubless	3
4	12-42921	Cerchio 18x2,15x32	Rim 18x2,15x32	Jante 18x2,15x32	Felge 18x2,15x32	Llanta morad 18.2,15-32 tubl.	4
5	15-38205	Flap	Bead	Flap	Felgenband	Cinta tapa radios "flap"	5
6	12-81470	Copertura 4,00x18	Tire 4,00x18	Couverture 4.00x18	Reifen 4,00x18	Cubierta 4.00x18	6
7	12-89445	Corona z.41 5/8x1/4	Rear sprocket z.41	Couronne z.41 5/8x1/4	Kettenrad z.41	Corona z-41	7
8	31-63940	Vite TSPCE 8x25	Screw 8x25	Vis 8x25 TEPCH	Schraube 8x25	Tornillo tspce 8.25	8
9	12-98010	Cuscinetto20X42X12stagno	Ball bearing 20x42x12	Roulement20x42x12etanche	Kugellager 20x42x12	Cojinete 20.42.12 blindado	9
10	13-85773	Distanziale mozzo post.	Spacer rear hub	Entretoise moyeu arriere	Distanzscheibe	Dist. buje tras. der. l/corona	10
11	25-55762	Perno "ergal" ruota post.	Rear wheel axle	Pivot roue arriere	Achse	Eje ergal ruoda post.	11
12	22-08026-0-57	Mozzo post. c/cuscinetti	Rear hub with ballbearing	Moyeu arriere avec roulem.	Hinterrad Nabe	Buje del. c/cojinetes	12
13	13-62717	Distanziale int, mozzo post.	Rear hub inner spacer	Entretoise int. moyeu arriere	Distanzscheibe	Distanciadore int. Buje tras.	13
14	13-39316	Disco freno posteriore	Rear brake disk	Disque frein arriere	Bremscheibe hi.	Disco trial trasero	14
15	12-98010	Cuscinetto20X42X12stagno	Ball bearing 20x42x12	Roulement20x42x12etanche	Kugellager 20x42x12	Cojinete 20.42.12 blindado	15
16	13-87774	Distanziale mozzo post. Sx	LH rear hub spacer	Entretoise moyeu arriere	Distanz li	Distanciadore buje tras.	16
17	27-71210	Rondella 17x33x3	Washer 17x33x3	Rondelle 17x33x3	Scheibe 17x33x3	Arandela 17x33x3	17
18	27-24198	Raggio post.3,5x220	Rear spoke 3,5x220	Rayon arr.3,5x220	Speiche 3,5x220	Rayo tras. 3,5x220	18
19	23-10110	Nipples ø3,5	Nipples ø3,5	Nipples ø3,5	Nippel ø3,5	Nipples 3,5	19
20	27-24199	Raggio 3,5x216	Spoke 3,5x216	Rayon 3,5x216	Speiche 3,5x216	Rayo 3,5x216	20

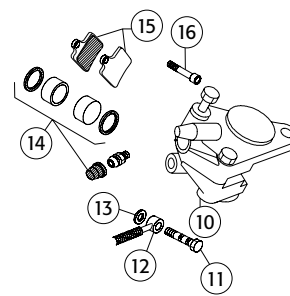
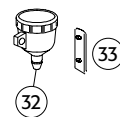
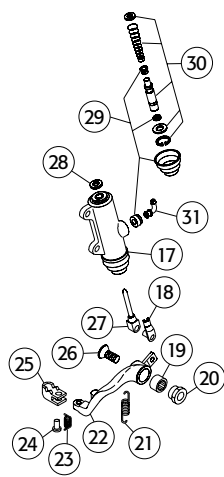
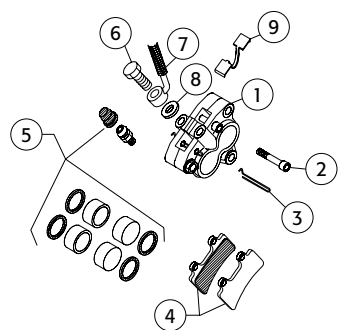




# Freni

## Brakes - Freins - Bremsen - Frenos

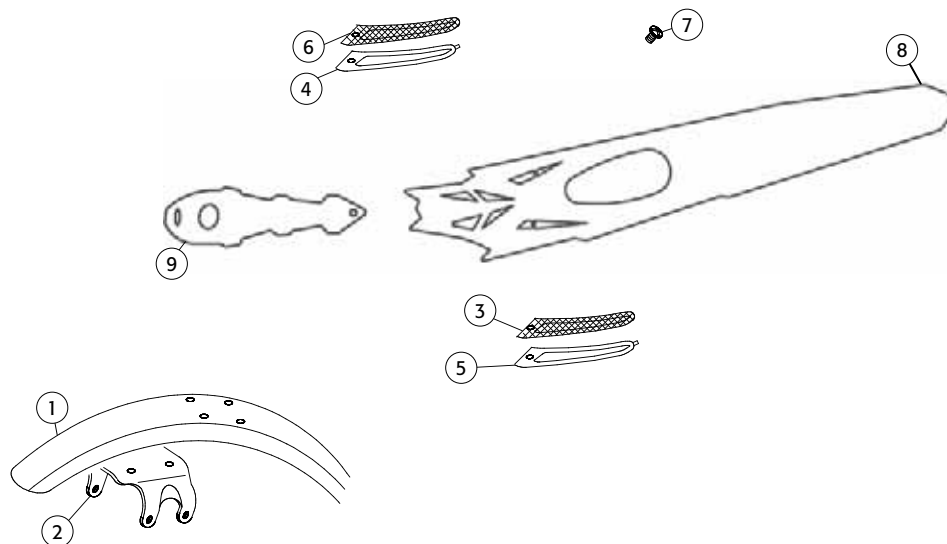
NO	CODE	DESCRIZIONE	DESCRIPTION	DESCRIPTION	BESCHREIBUNG	DESCRIPCIÓN	NO
1	25-03059	Pinza freno a disco	Brake pliers	Pince frein a disque	Bremszange vo./hi.	Pinza freno	1
2	11-70521	Bullone fermapastiglie pinza	Special bolt	Boulon arret machoires	Halter Bremsbeläge	Tornillo pastillas pinzas	2
3	22-32206	Molla ferma pastiglie pinza	Brake pads spring for pliers	Ressort arret plaquettes	Haltefeder	Muelle pastillas pinza	3
4	25-25352	Pastiglie per pinza	Brake pads	Plaquettes pince	Bremsbeläge hinten	Pastillas pinza	4
5	20-02714	Kit pistoncino e guarniz.	Piston e oil seal for pliers	Jeu petit pistons et joint	Reparatursatz Bremszange	Juengo piston y guarnicion pinza	5
6	11-65040	Bullone forato 10x1x tubo fr.	Special bolt	Boulon 10x1 x tube frein	Hohlschraube F.Bremse	Tornillo esp. talad.10.1	6
7	29-09123	Tubo freno anteriore	Front brake hose	Tube frein avant	Bremsleitung	Tubo freno delantero	7
8	16-50510	Guarnizione 10x15x1 in rame	Gasket 10x15x1 copper	Joint 10x15x1 cuivre	Dichtung 10x15x1	Kupfer Junta 10.15.1 (cobre)	8
9	25-98915	Protezione pastiglie freno	Brake pliers protection pads	Protection machoires frein	Abdeckung Bremszange	Proteccion pastillas freno	9
10	25-03068	Pinza freno posteriore	Pliers front brake	Pince frein arriere	Bremszange hinten	Pinza freno post.	10
11	31-96825	Vite spurgo x pinza 25.03068	Special screw	Vis pour pince 25.03068	Spezial schraube	Tornillo	11
12	29-09366	Tubo freno disco posteriore	Rear brake hose	Tube frein a disque arriere hi	Bremsleitung	Tubo freno disco post.	12
13	16-50510	Guarnizione 10x15x1 in rame	Gasket 10x15x1 copper	Joint 10x15x1 cuivre	Dichtung 10x15x1	Kupfer Junta 10.15.1 (cobre)	13
14	20-02722	Kit pistoncini e guarniz.Pinza	Piston e oil seal for pliers	Jeu petit pistons et joint pinc.	Reparatursatz Bremszange	Juego piston y guarnicion pinza	14
15	25-25373	astiglie per pinza	Brake pads	Plaquettes pince	Bremsbeläge hinten	Pastillas pinza	15
16	11-70520	Bullone fermapastiglie pinza	Special bolt	Boulon arret machoires	Halter Bremsbeläge	Tornillo pastillas pinzas	16
17	25-91188	Pompa freno posteriore	Rear brake pump	Pompe frein arriere	Bremspumpe hi.	Bomba freno tra sera	17
18	28-93130	Staffa blocc. asta freno	Pump pin w/spring	Chassis blocage tige frein	Betätigungspin Bremshebel	Pasador bloqueo soporte freno	18
19	11-22220	Boccola a rulli 12x18x16 2rs	Needle bearing 12x18x16	Douille a roulements 12.18.16	Nadellager 12x18x16	Cojinete agujas 12.18.16 2rs	19
20	11-26611	Boccola pedale freno	Bush lever	Douille pedale frein	Buchse Bremshebel hi	Casquillo pedal freno rev 3	20
21	22-62171	Molla ritorno pedale freno	Return brake pedal spring	Ressort de retour frein	Bremspedal Feder	Muelle retorno palanca freno	21
22	25-28103	Pedale freno	Rear brake	Pedale frein	Bremshebel hi.	Pedal freno	22
23	22-62090	Molla ritorno mozzo ped.fr.	Return brake pedal spring	Ressort de retour	Bremspedal Feder	Muelle retorno puntera p.freno	23
24	25-54450	Perno snodo pedale freno	Brake pedal pin	Pivot joint pedale frein	Bremspedal Pin	Eje pedal freno	24
25	22-90052	Mozzetto con pedana	Footrest hub	Moyeu a/repose pieds	Rasten Nabe Fußbremshebel	Puntera pedal freno	25
26	31-63940	Vite TSPCE 8x25	Screw 8x25	Vis 8x25 TEPCH	Schraube 8x25	Tornillo tspce 8.25	26
27	10-84510	Asta com.pompa freno post	Rear brake rod	Tige de commande pomp.fr.	Betaetigungsstange Bremse	Varilla bomba freno post.	27
28	16-50510	Guarnizione 10x15x1 in rame	Gasket 10x15x1 copper	Joint 10x15x1 cuivre	Dichtung 10x15x1 Kupfer	Junta 10.15.1 (cobre)	28
29	20-08262	Kit ricambi pompa freno	Kit (spare-part)brake pump	Jeu pieces pompe frein	Reparatursatz Bremspumpe	Juego piezas bomba freno	29
30	20-08257	Kit pistoncino compl. pompa	Pump piston assy	Jeu piston complet pompe	Kuppl pompe kolben	Juego piston compl. Bomba	30
31	27-23424	Raccordo 90°pompa freno	Rear pump 90°raccord	Raccord 90°pompe arrier	Bremspumpeanschluss 90°	Enlace 90°bomba freno	31
32	28-05100	Serbatoio olio freni	Brake oil tank	Reservoir huile freins	Ausgleichsbehälter	Deposito liquido freno	32
33	28-97359	Staffa supporto serb.Olio	Oil tank bracket	Etrier fixation reservoir huile	Halter	Soporte fijacion deposito liquido	33



## Parafanghi

### Fenders - Garde-boues - Kotflügel - Guardabarras

NO	CODE	DESCRIZIONE	DESCRIPTION	DESCRIPTION	BESCHREIBUNG	DESCRIPCIÓN	NO
1	25-15207-0-59	Parafango anteriore	Front fender	Garde-boue avant	Vorderradkotflügel	Guardabarras delantero	1
2	28-98277	Supporto parafango ant.	Front fender bracket	Support garde-boue avant	Kotflügelhalter vorne	Soporte guardabarras ant.	2
3	27-28503	Rete posteriore sx	Rear fender LH net	Reseau garde-boue arr.gauc.	Grilleinsatz Kotflügel re	Rejilla guardabarras dx	3
4	12-55786	Contentore griglia par.p.dx.	Container grill right rear fend.	Logement grille garde	Rahmen Grill Kotflügel li	Plástico rejilla guardabarras sx	4
5	12-55785	Contentore griglia par.p.sx.	Container grill left rear fender	Logement grille garde	Rahmen Grill Kotflügel re	Plástico rejilla guardabarras dx	5
6	27-28497	Rete parafango post.dx	Rear fender RH net	Reseau garde-boue arr.droit	Grilleinsatz Kotflügel re	Rejilla guardabarras dx	6
7	31-30530	Vite TTLIC 6x12 testa 15	Screw 6x12	Vis 6x12 TRICC t.15	Schraube 6x12	Tornillo tlic 6.12 cabeza 15	7
8	25-19710-8-59	Parafango posteriore	Rear fender	Garde-boue arriere	Hinterradkotflügel	Guardabarras tras.	8
9	12-88519-0-59	Copriserbatoio	Tank cover	Cache reservoir	Tankblende	Cubredeposito	9

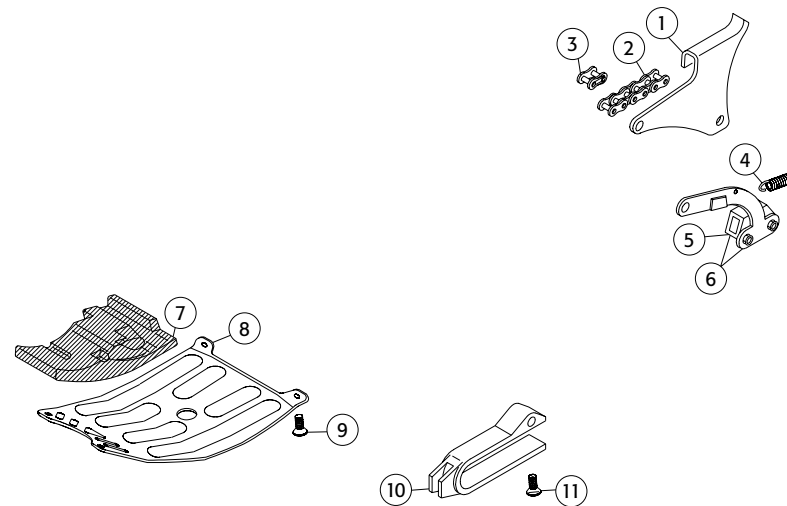




## Varie

### Various - Divers - Teile - Varios

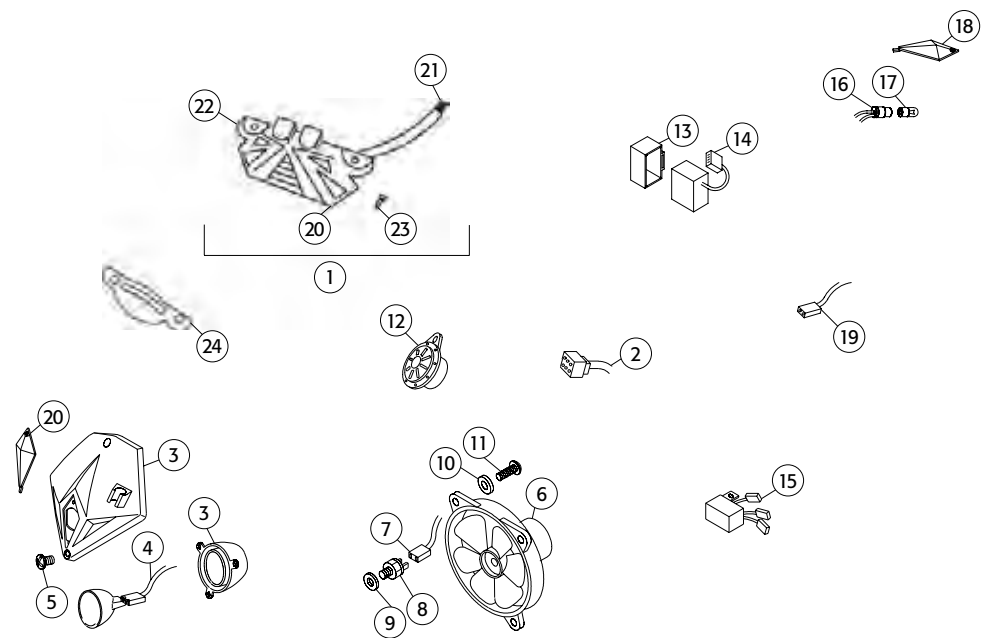
NO	CODE	DESCRIZIONE	DESCRIPTION	DESCRIPTION	BESCHREIBUNG	DESCRIPCIÓN	NO
1	12-84864	Copricatena	Cover chain	Carter chaine	Kettenschutz	Cubrecadena	1
2	12-06771	Catena 101 MG	Chain 101 MG	Chaîne 101 MG	Kette 101 MG	Cadena 101 MG	2
3	22-11226	Maglia congiunzione	Connecting link	Maillon junction	Kettenschloss	Eganche cadena	3
4	22-81112	Molla rit.pattino tendicat.	Spring	Ressort retour patin tend.	Feder Kettenspanner	Muelle ret. patin tensor cadena	4
5	16-22500	Gomma x pattino tendicat.	Chain tens. Block	Caoutchouc tendeur	Kettenklotz	Goma patin tensor cadena	5
6	25-25956	Pattino tendicat. Compl.	Sliding block	Patin tendeur compl.	Kettenspanner	Patin tensor cadena compl.	6
7	16-23322	Gomma xcarter parasas.	Bumper rubber	Caoutchouc sabot moteur	Bodenplatte Gummi	Goma proteccion carter	7
8	12-32185	Carter parasassi	Bumper	Bas moteur	Bodenplatte	Cubrecaarter	8
9	31-64070	Vite flangiata 8x25 ch10	Screw 8x25	Vis avec bride 8x25 ch10	Schraube 8x25	Tornillo especial 8.30	9
10	29-10064	Tassello guidacatena	Sliding block	Cheville guide de chaine	Schwingenschleifklotz	Protector cadena/basculante	10
11	31-30540	Vite TTLIC 6x16 testa 15	Screw 6x16	Vis 6x16 TRLCC t.15	Schraube 6x16	Tornillo tlic 6.16 cabeza 15	11



## Impianto elettrico

### Electrical systeme - Installation électrique - Elektrische anlage - Instalacion electrica

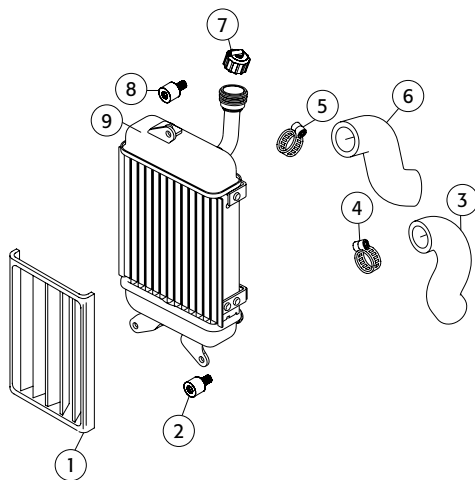
NO	CODE	DESCRIZIONE	DESCRIPTION	DESCRIPTION	BESCHREIBUNG	DESCRIPCIÓN	NO
1	13-36645	Dip luci	Switch	Commodo feux	Lichtschalter	Mando luces	1
2	18-01674	Impianto centrale	Electric equipment	Installation centrale	Zentraler Kabelbaum	Instalacion central	2
3	22-28695-0-59	Mascherina portafaro	Headlight holder	Cache porte-phare	Lampenmaske	Portafaro ant. con adhesivo	3
3.1	12-03161-0-59	Cappuccio lampada faro	Front head hight cover	Capuchon lampe phare ant.	Lampe	Protector lampara optica	3.1
4	21-16751	Lampada faro anteriore	Headlight lamp	Ampolle phare avant	Scheinwerferbirne	Lampara delantera	4
5	31-29860	Vite TTLIC 5x16 testa 10	Screw 5x16	Vis 5x16	Schraube 5x16	Tornillo ttlic 5.16 cabeza 10	5
6	14-01030	Elettroventola con supporto	Electric fan	Ventilateur électrique	Lüftermotor	Electrovent.	6
7	18-01859	Impianto termointerruttore	Electric equipment	Installation interrupt.termique	Kabelbaum	Instalación termointerruptor	7
8	<del>29-11960</del> 29-11959	Termointerruttore 50/60	Thermostat 50/60	Interrupteur termique 50/60	Thermoschalter	Termostato temperatura	8
9	16-49500	Guarnizione 8x20x1 rame	Gasket 8x20x1 copper	Joint 8x20x1 cuivre	Dichtung 8x20x1	Kupfer Junta 8x20x1 cobre	9
10	27-43000	Rondella in gomma 6x20x3	Rubber washer 6x20x3	Rondelle caoutchouc 6x20x3	Scheibe 6x20x3	Arandela goma 6.20.3	10
11	31-30520	Vite TTLIC 6x16 testa 12	Screw 6x16	Vis 6x16	Schraube 6x16	Tornillo ttlic 6.16 cabeza 12	11
12	10-09181	Avvisatore acustico	Horn	Avertisseur acustique	Hupe	Avisador acustico	12
13	16-23325	Gomma supporto centralina	CDI unit cushion	Caoutchouc support C.D.I.	Gummihalter Zuendenheit	Goma soporte centralita	13
14	12-41832-8	Centralina digitale	CDI unit	Bobine digital (C.D.I.)	Steuergerät	Centralita digital	14
15	27-28102	Regolatore	Regulator	Regulateur	Regler	Regulador	15
16	25-91761	Portalampe fan.post.(cp)	Rear light lamp holder	Porte-lampes feu arr.	Rücklichthalter	Portalamp. (juego) piloto tras.	16
17	21-15520	Lampada spia tub.12V-4W	Warning light 12V-4W	Ampolle temoiboudin12V-4W	Birne 12V-4W	Lampara 12V-4W	17
18	15-01823-0-53	Fanalino posteriore	Rear light	Feu arriere	Rücklicht Glas	Piloto trasero	18
19	18-01426	Impianto per fanalino post.	Electric equipment	Installation feu arriere post	Kabelbaum	Instalacion piloto post.	19
20	12-56525-1-59	Coperchio per int. dip gara	Cover, race device	Covercle dispositif	Deckel bedienungselement	Tapa sispositivo izq.	20
21	18-01509	Impianto interruttori dip gara	Electric equipment,race	Equippement électrique	Kabelbaum	Istalacion dispositivo	21
22	28-98282-1-59	Supporto per int. dip gara	Panel support, race device	Support planche dispositif g.	Halter bedienungselement	Soporte sispositivo izq.	22
23	31-22570	Vite 3x12	Screw 3x12	Vis 3x12	Schraube 3x12	Tornillo 3x12	23
24	25-24463-1-59	Passacavo manubrio	Fair lead, headlebar	Passe-cable guidon	Kabelfuehrung lenker	Passacables manillar	24



# Radiatore

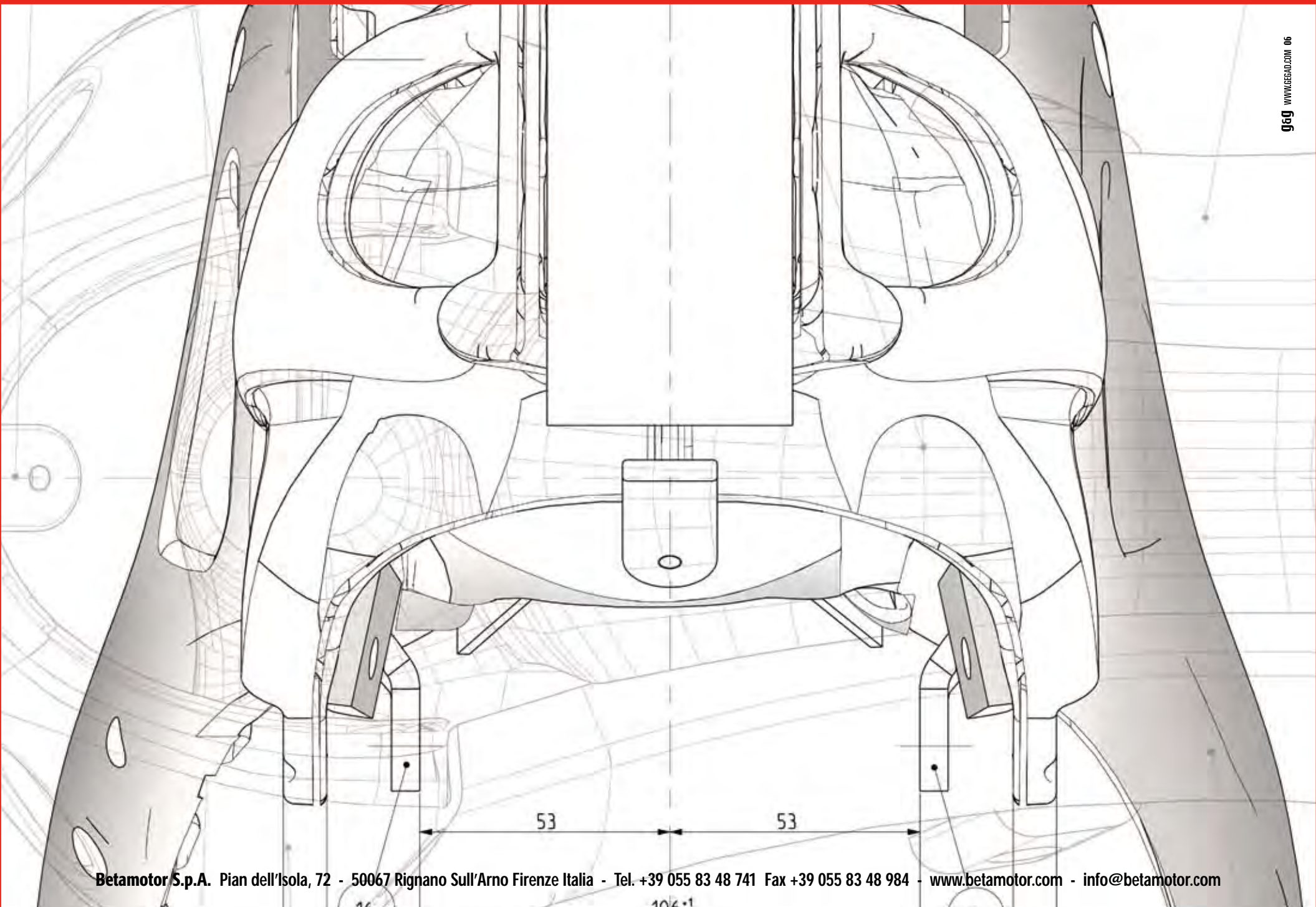
## Radiator - Radiator - Kuhler - Radiador

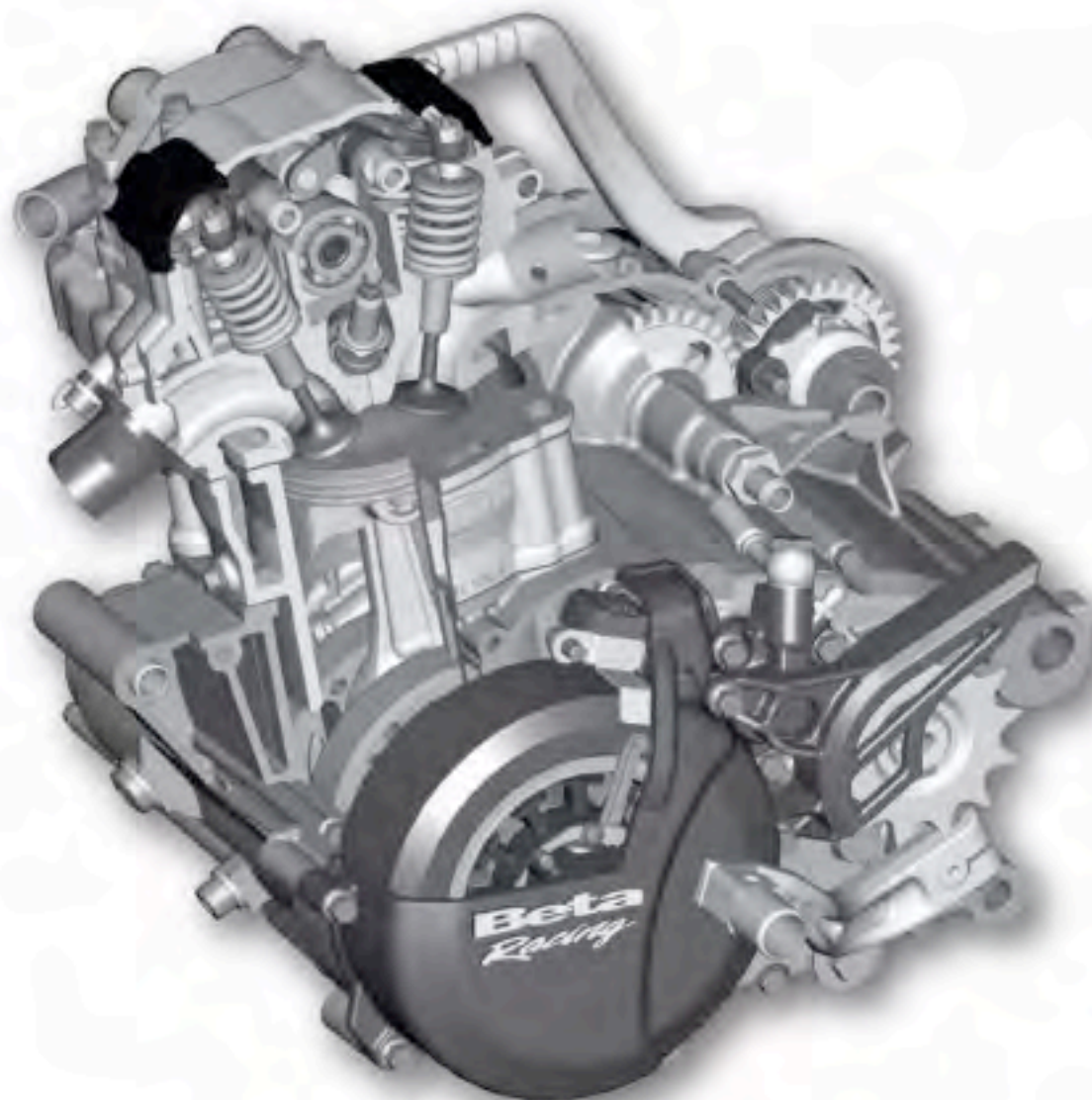
NO	CODE	DESCRIZIONE	DESCRIPTION	DESCRIPTION	BESCHREIBUNG	DESCRIPCIÓN	NO
1	16-45543-1-59	Griglia radiatore	Radiator protection	Grille radiateur	Kühlergrill	Rejilla radiador	1
2	28-91942	Silent-block	Silent-block	Silent-block	Silent-block	Silent-block	2
3	29-15738	Tubo radiatore	Water pump radiator tube	Tube radiateur pompe eau	Kühlerschlauch	Tubo refriger. Radiador	3
4	15-15230	Fascetta 15x25	Clamp 15x25	Collier 15x25	Schelle 15x25	Brida 15/25	4
5	15-15230	Fascetta 15x25	Clamp 15x25	Collier 15x25	Schelle 15x25	Brida 15/25	5
6	29-15737	Tubo radiatore	Water pump radiator tube	Tube radiateur pompe eau	Kühlerschlauch	Tubo refriger. Radiador	6
7	29-01821	Tappo radiatore	Water tank cover	Bouchon radiateur	Kühlwasserdeckel	Tapon radiador	7
8	28-91941	Silent-block	Silent-block	Silent-block	Silent-block	Silent-block	8
9	27-23633	Radiatore	Radiator	Rediateur	Kühler	Radiador	9



## Particolari non figuranti - Supplementary oarts list - Particuliers pas mentionnes Nicht verzeichnete teile - Particulares no figurados

NO	CODE	DESCRIZIONE	DESCRIPTION	DESCRIPTION	BESCHREIBUNG	DESCRIPCIÓN	NO
	13-33819	Decalco complet.to	Completely decals	Autocollant compl.	Aufklebersatz kpl.	Juego adhesivos compl.	
	13-33819-1	Decalco paraf.anter.	Decal front fender	Autocollant garde boue	Aufkleber Kotflügel vorne	Juego adhesives	
	13-33819-2	Decalco paraf.post.	Decal rear fender	Autocollant garde boue	Aufkleber Kotflügel hinten	Juego adhesives	
	13-33819-3	Decalco mascherina	Decalc headlight holder	Autocollant cache phare	Aufkleber Lampenmaske	Juego adhesives	
	13-33819-4	Decalco forcellone	Decalc swinging arm	Autocollant bras oscillant	Aufkleber Schwinge	Juego adhesivos basculante	
	13-33819-5	Decalco cop. filtro	Decalc filter cover	Autocollant couv. Filtre	Aufkleber luftfilterdeckel	Juego adhesivos tapon filtro	
	27-02596-0-57	Ruota anteriore	Front wheel	Roue avant	Vorderrad	Rueda delantera	
	27-02596-4-57	Ruota anteriore p/montata	Front wheel ass.	Roue avant p/monte'	Vormontiertes vorderrad	Rueda delantera montada	
	27-04847-0-57	Ruota posteriore	Rear wheel	Ruoe arriere	Hinterrad	Rueda tra	
	27-04847-4-57	Ruota posteriore p/montata	Rear wheel ass.	Roue arriere p/monte'	Vormontiertes hinterrad	Rueda trasera montada	
	11-05667	Borsetta con arnesi rr4t/alp4t 125cc	Tools bag, rr4t/alp4t 125cc	Kit outils rr 4t/alp 4t 125cc	Werkzeugtasche rr 4t/alp 4t 125cc	Bolsa utensilios rr4t/alp4t 125cc	
	21-73243	Libretto istruz. Rev 4t	Owner's manual, rev 4t	Manuel d'insruccion	Bedienungsanleitung rev 4t	Manual istr. Rev 4t	

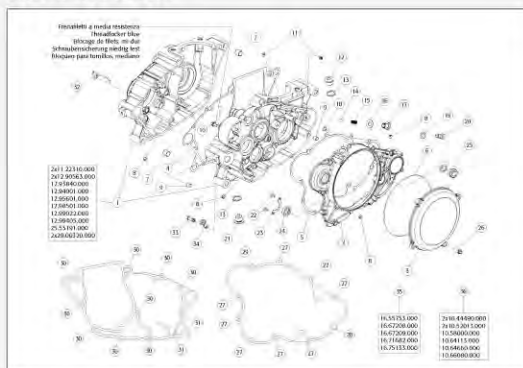




**four**  
**4stroke**

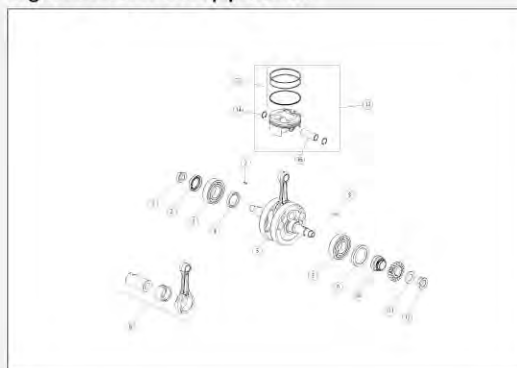
REV 4T 250cc 2007

Carter motore  
Crankcase  
Carter moteur  
Motorgehäuse  
Cárter del motor



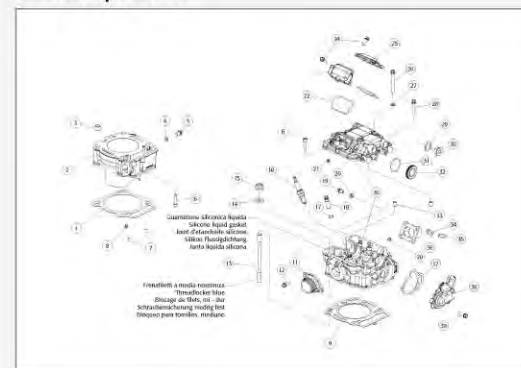
Tav. 1

Albero motore e pistone  
Crankshaft and piston  
Vilbrequin et piston  
Kurbelwelle und Kolben  
Cigüeñal del motor y pistones



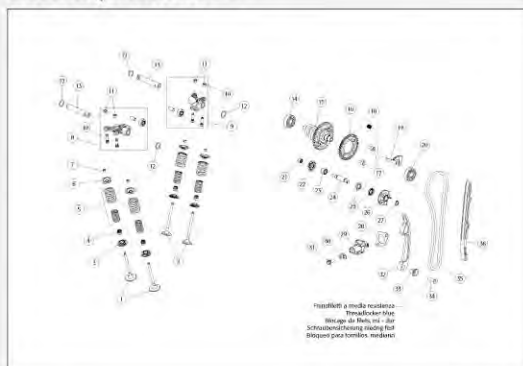
Tav. 2

Cilindro e testa  
Cylinder and head  
Cylindre et culasse  
Zylinder und Zylinderkopf  
Cilindro y cabeza



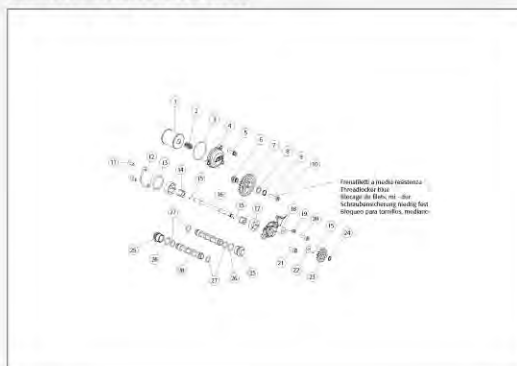
Tav. 3

Valvole e distribuzione  
Valves and timing  
Soupapes et distribution  
Ventile und Ventilsteuerung  
Válvulas y distribución



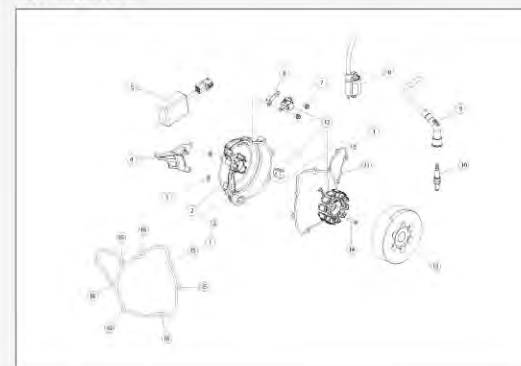
Tav. 4

Sistema di lubrificazione  
Lubrication system  
Système de lubrification  
Schmiersystem  
Sistema de lubricación



Tav. 5

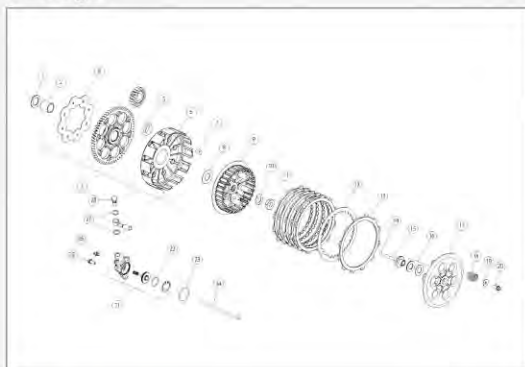
Accensione  
Ignition  
Allumage  
Zündung  
Encendido



Tav. 6

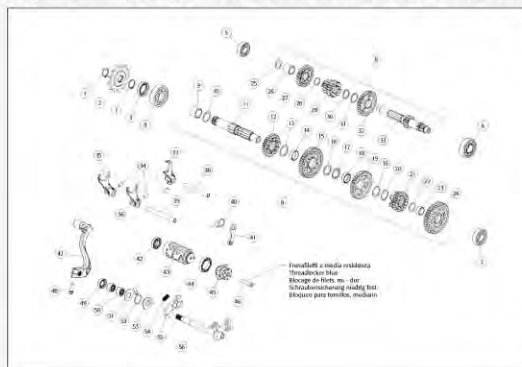


Frizione  
Clutch  
Embrayage  
Kupplung  
Embrague



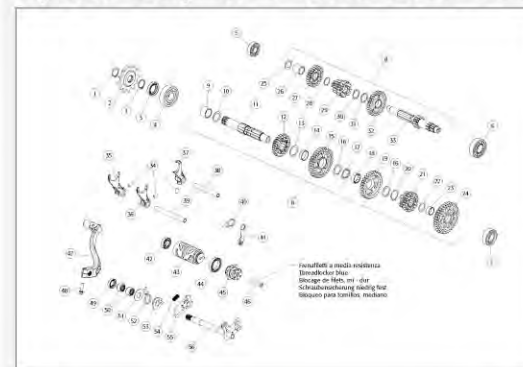
Tav. 7

Cambio e comando cambio  
Gearbox and gearchange mechanism  
Boîte de vitesses et selecteur de boîte de vitesses  
Getriebe und Schaltung  
Caja de cambios y mecanismo de cambio de marchas



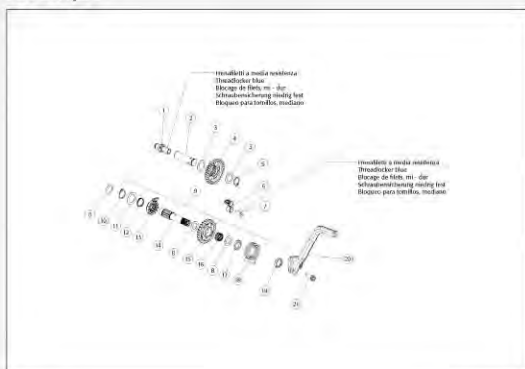
Tav. 8

Cambio e comando cambio  
Gearbox and gearchange mechanism  
Boîte de vitesses et selecteur de boîte de vitesses  
Getriebe und Schaltung  
Caja de cambios y mecanismo de cambio de marchas



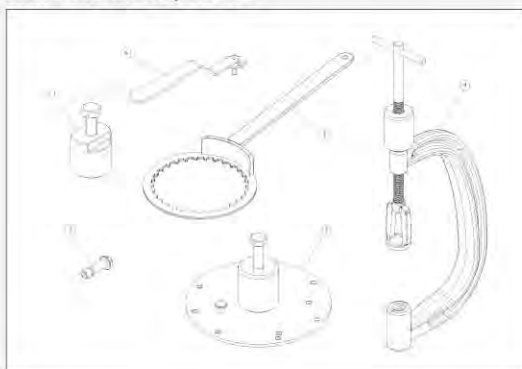
Tav. 8

Messa in moto  
Kickstart  
Système de démarrage  
Starter  
Arranque



Tav. 9

Utensili speciali  
Special utensils  
Outils spéciaux  
Spezialwerkzeug  
Herramientas especiales



Tav. 10

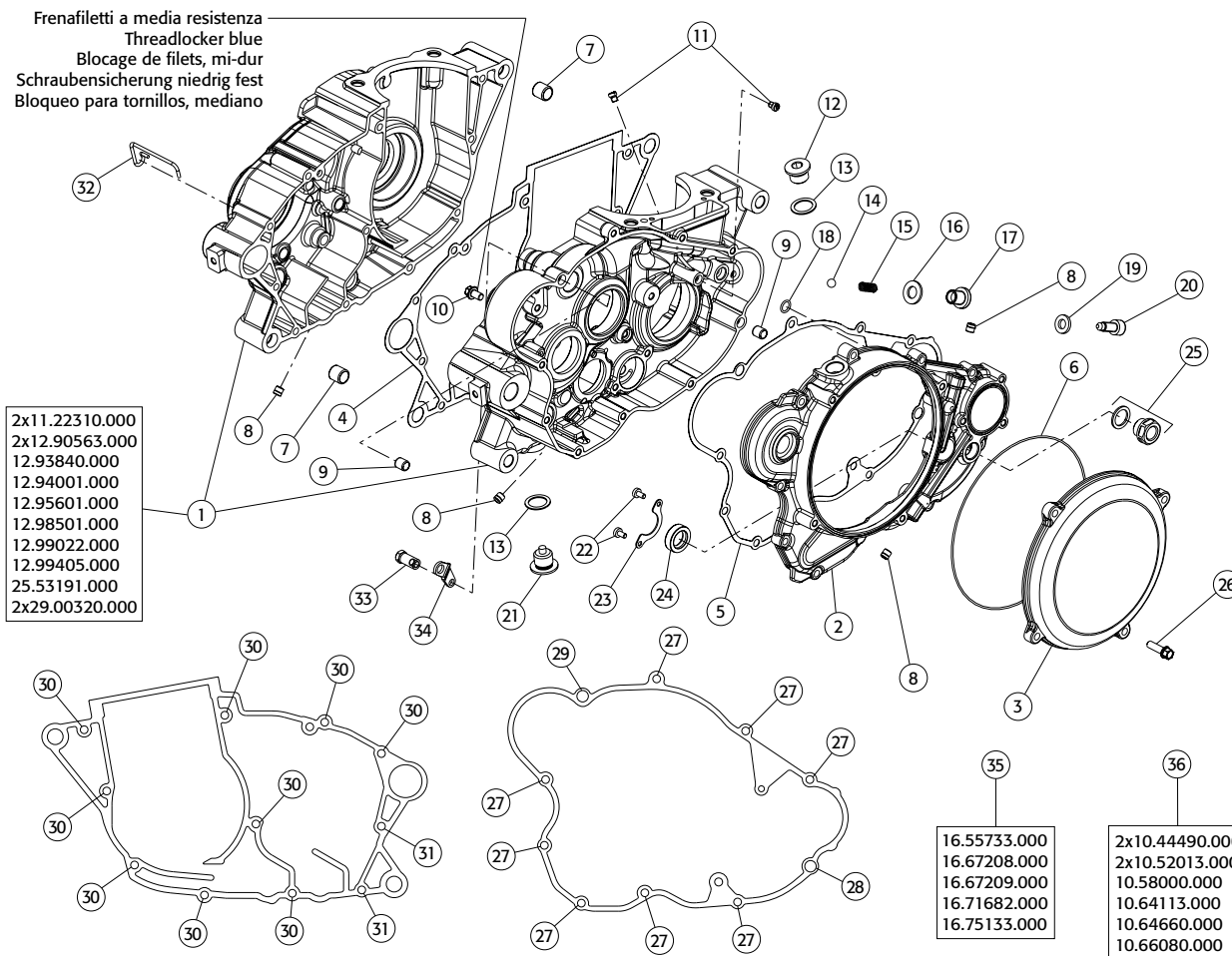


## Carter motore

### Crankcase - Carter moteur - Motorgehäuse - Carter del motor

NO	CODE	DESCRIZIONE	DESCRIPTION	DESCRIPTION	BESCHREIBUNG	DESCRIPCIÓN	Q.TY	NO
1	12.06351.800	Carter motore	Crankcase	Carter moteur	Motorgehäuse	Cárter del motor	1	1
2	12.62670.000	Carter frizione	Clutch casing	Carter d'embrayage	Kupplungsgehäuse	Cárter del embrague	1	2
3	12.63112.000	Coperchio frizione	Clutch cover	Couvercle d'embrayage	Kupplungsdeckel	Cubierta del embrague	1	3
4	16.55733.000	Guarnizione carter centrale	Crankcase centre gasket	Joint carter central	Gehäusedichtung	Junta central del cárter	1	4
5	16.71682.000	Guarnizione carter frizione	Clutch casing gasket	Joint carter d'embrayage	Kupplungsdeckeldichtung	Junta del cárter del embrague	1	5
6	10.67340.000	Anello or coperchio frizione esterno	O-ring for outer clutch cover	Bague jt couvercle d'embrayage ext.	Kupplungsaußendeckel O-Ring	Anillo o cubierta exterior del embrague	1	6
7	16.41500.000	Grano 13x10.5x13	Dowel 13x10.5x13	Silentbloc 13x10,5x13	Passhülse 13x10,5x13	Bulón de centraje 13x10.5x13	2	7
8	29.00320.000	Tappo olio ad espansione	Oil expansion plug	Bouchon d'huile à expansion	Ölkanalverschlussstopfen	Tapón extensible del aceite	4	8
9	16.36500.000	Grano 9x7.2x10	Dowel 9x7.2x10	Silentbloc 9x7,2x10	Stift 9x7.2x10	Bulón de centraje 9x7.2x10	2	9
10	11.46501.000	Bullone m6x10 RS ch8	Bolt m6x10 RS ws 8	Boulon m6x10 RS ch8	Schraube m6 x 10 sw 8	Perno de anclaje m6x10 RS ch8	2	10
11	16.42901.000	Getto 0.75	Jet 0.75	Gicleur 0,75	Düse 0.75	Empuje 0.75	2	11
12	29.10290.000	Tappo alimentazione olio	Oil filler plug	Bouchon d'alimentation d'huile	Öleinfüllstopfen	Tapón de alimentación del aceite	1	12
13	16.53600.000	Guarnizione 16x22.5x1	Gasket 16x22.5x1	Joint 16x22,5x1	Dichtung 16x22.5x1	Junta 16x22.5x1	2	13
14	28.90201.000	Sfera ø7	Ball ø7	Bille ø7	Kugel ø7	Esfera ø7	1	14
15	22.34110.000	Molla valvola di max	Spring for oil pressure relief valve	Ressort de soupape	Überdruckventilfeder	Muelle de válvula de escape	1	15
16*	27.60265.000	Rondella rasamento 12x18x1.5	Thrust washer 12x18x1.5	Rondelle 12x18x1.5	Kupferdichtring 12x18x1,5	Arandela de empuje 12x18x1.5	*	16
16*	27.60265.100	Rondella rasamento 12x18x1	Thrust washer 12x18x1	Rondelle 12x18x1	Kupferdichtring 12x18x1	Arandela de empuje 12x18x1	*	16
17	31.65050.000	Vite torx m12x12	Screw torx m12x12	Vis torx m12x12	Torx-schraube m12x12	Tornillo torx m12x12	1	17
18	10.66184.000	Anello Or 8.5x1.5 fkn	O-ring 8.5x1.5 fkn	Bague jt 8,5x1,5 fkn	O-ring 8.5x1.5 fkn	Anillo Or 8.5x1.5 fkn	1	18
19	27.58064.000	Rondella rasamento 8.4x16x2.5	Thrust washer 8.4x16x2.5	Rondelle 8.4x16x2.5	Passscheibe 8.4x16x2.5	Arandela de empuje 8.4x16x2.5	1	19
20	31.64200.000	Vite m8 pms	Screw m8 pms	Vis m8 TDC	Kupferdichtring 8,4x16x2,5	Tornillo m8 pms	1	20
21	29.00451.000	Tappo per scarico olio	Oil drainplug	Bouchon de vidange d'huile	Ölablassschraube	Tapón para el escape de aceite	1	21
22	31.73000.000	Vite speciale m4x8	Special screw m4x8	Vis spéciale m4x8	Schraube M4x8	Tornillo especial m4x8	2	22
23	25.57658.000	Piastrina fissaggio anello paraolio	Oil seal retaining plate	Plaque de fixation bague d'étanchéité	Halteblech Wellendichtring	Pastilla de fijación del anillo de retención del aceite	1	23
24	10.52013.000	Anello paraolio 14x24x7	Oil seal 14x24x7	Bague d'étanchéité 14x24x7	Wellendichtring	Anillo de retención del aceite 14x24x7	1	24
25	29.10031.000	Tappo livello olio	Sightglass, oil level	Bouchon de niveau d'huile	Ölstandschauflas	Tapón del nivel de aceite	1	25
26	11.49070.000	Bullone m6x20 RS ch 8	Bolt m6x20 RS ws 8	Boulon m6x20 RS ch 8	Schraube m6x20 sw 8	Perno de anclaje m6x20 RS ch 8	4	26
27	11.50010.000	Bullone m6x25 RS ch 8	Bolt m6x25 RS ws 8	Boulon m6x25 RS ch 8	Schraube m6x25 sw 8	Perno de anclaje m6x25 RS ch 8	8	27
28	11.50300.000	Bullone m6x30 RS ch 8	Bolt m6x30 RS ws 8	Boulon m6x30 RS ch 8	Schraube m6x30 sw 8	Perno de anclaje m6x30 RS ch 8	1	28
29	11.50360.000	Bullone m6x40 RS ch 8	Bolt m6x40 RS ws 8	Boulon m6x40 RS ch 8	Schraube m6x40 sw 8	Perno de anclaje m6x40 RS ch 8	1	29
30	11.05485.000	Bullone m6x60 RS ch 8	Bolt m6x60 RS ws 8	Boulon m6x60 RS ch 8	Schraube m6x60 sw 8	Perno de anclaje m6x60 RS ch 8	9	30
31	11.50535.000	Bullone m6x45 RS ch 8	Bolt m6x45 RS ws 8	Boulon m6x45 RS ch 8	Schraube m6x60 sw 8	Perno de anclaje m6x45 RS ch 8	2	31
32	25.24584.000	Passacavo tubi sfiato	Bleed tube feedthrough	Passe cable tubes de purge	Haltebügel Entlüftungsschläuche	Guía de los tubos del respiradero	1	32

NO	CODE	DESCRIZIONE	DESCRIPTION	DESCRIPTION	BESCHREIBUNG	DESCRIPCIÓN	Q.TY	NO
33	31.96824.000	Vite speciale piastrina rubinetto elettrico	Special screw for electric tap plate	Vis de fixation robinet électrique	Spezialmutter für elektrischen Benzinhahn	Tornillo especial de la pastilla de la válvula eléctrica	1	33
34	25.59627.000	Piastrina fissaggio rubinetto elettrico	Retaining plate for electric tap	Plaque de fixation robinet électrique	Halteblech für elektrischen Benzinhahn	Pastilla de fijación de la válvula eléctrica	1	34
35	28.08079.800	Serie guarnizioni	Gasket set cpl	Joints (Jeu complet)	Dichtungssatz Kpl	Juntas (Juego completo)	1	35
36	28.08078.800	Serie paraolio	Seal ring set cpl	Joint spy (Jeu complet)	Dichtringsatz Kpl	Juntas Aceite (Juego completo)	1	36

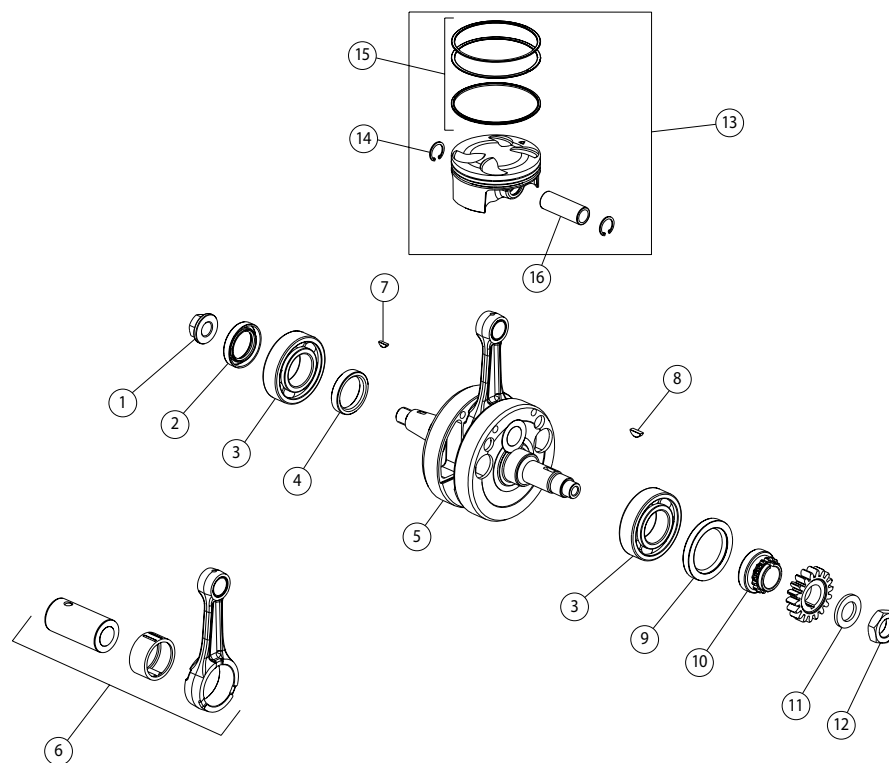


\* Numero variabile in base al setting di fabbrica  
Numbers are variable based on factory settings  
Nombre variable selon les réglages en usine  
Variable Anzahl je nach Werkseinstellung  
El número puede variar según la configuración de fábrica



## Albero motore e pistone - Crankshaft and piston - Arbre moteur et piston Kurbelwelle und kolben - Cigüeñal del motor y pistones

NO	CODE	DESCRIZIONE	DESCRIPTION	DESCRIPTION	BESCHREIBUNG	DESCRIPCIÓN	Q.TY	NO
1	13.22090.000	Dado speciale m14x1.5 ch 19	Special nut m14x1.5 ws 19	Silentbloc spécial m14x1,5 ch 19	Spezialmutter m14x1,5 sw 19	Tuerca especial m14x1.5 ch 19	1	1
2	10.64660.000	Anello paraolio 25x40x7	Oil seal 25x40x7	Bague d'étanchéité 25x40x7	Wellendichtring 25x40x7	Anillo de retención del aceite 25x40x7	1	2
3	12.99563.000	Cuscinetto 30x62x16 (6206)	Bearing 30x62x16 (6206)	Roulement 30x62x16 (6206)	Lager 30x62x16 (6206)	Cojinete 30x62x16 (6206)	2	3
4	13.46952.000	Distanziale albero motore	Spacer for crankshaft	Entretoise vilebrequin	Kurbelwellendistanzstück	Distanciador del cigüeñal del motor	1	4
5	10.00709.000	Albero motore	Crankshaft	Vilbrequin	Kurbelwelle	Cigüeñal del motor	1	5
6	11.18125.800	Biella	Connecting rod	Bielle	Pleuel	Biela	1	6
7	12.46000.000	Linguetta 3x3.7x9.7	Woodruff key 3x3.7x9.7	Clavette 3x3,7x9,7	Passfeder 3x3.7x9.7	Chaveta paralela 3x3.7x9.7	1	7
8	12.46151.000	Linguetta 4x5 uni 6606	Woodruff key 4x5 uni 6606	Clavette 4x5 uni 6606	Passfeder 4x5 uni 6606	Chaveta paralela 4x5 uni 6606	1	8
9	10.66080.000	Anello paraolio 38x55x7	Oil seal 38x55x7	Bague d'étanchéité 38x55x7	Wellendichtring 38x55x7	Anillo de retención del aceite 38x55x7	1	9
10	18.25100.000	Ingranaggio distribuzione	Timing gear	Pignon de distribution	Steuerkettenzahnrad	Engranaje de distribución	1	10
11	27.72155.000	Rondella rasamento 18x30x3	Thrust washer 18x30x3	Rondelle 18x30x3	Primärzahnrad	Arandela de empuje 18x30x3	1	11
12	13.30331.000	Dado m18x1.5 h9	Nut m18x1.5 h9	Écrou m18x1,5 h9	Mutter m18x1,5 h9	Tuerca m18x1.5 h9	1	12
13	25.86690.800	Pistone completo	Piston complete	Piston complet	Kolben komplett	Pistón completo	1	13
14	28.24910.000	Seeger j16	Circlip j16	Seeger j16	Seegerring j16	Anillo elástico j16	2	14
15	28.08087.800	Serie segmenti	Piston rings set	Pistonsegment kit	Kolben RingSatz	Segmentos (juegocompleto)	1	15
16	28.94210.000	Spinotto	Piston pin bolt	Axe de piston	Kolbenbolzen	Pasador	1	16



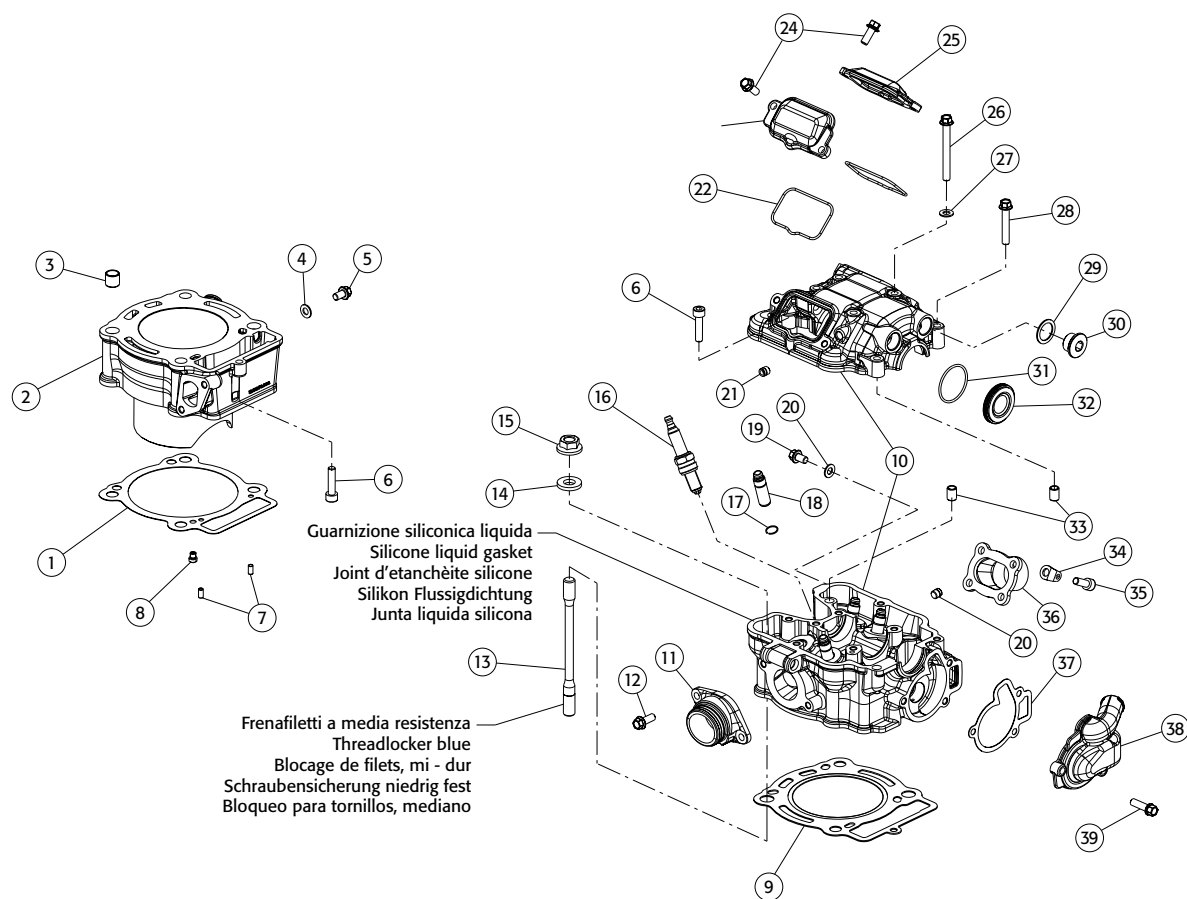


## Cilindro e testa

### Cylinder and head - Cylindre et culasse - Zylinder und Zylinderkopf - Cilindro y cabeza

NO	CODE	DESCRIZIONE	DESCRIPTION	DESCRIPTION	BESCHREIBUNG	DESCRIPCIÓN	Q.TY	NO
1	16.67209.000	Guarnizione cilindro	Cylinder base gasket	Joint cylindre	Zylinderfußdichtung	Junta del cilindro	1	1
2	12.51870.000	Cilindro ø77	Cylinder ø77	Cylindre ø77	Zylinder ø77	Cilindro ø77	1	2
3	16.40015.000	Grano 12x10	Dowel 12x10	Silentbloc 12x10	Passhülse 12x10	Bulón de centrage 12x10	2	3
4	27.58000.000	Rondella rasamento rame 6x12x1	Copper thrust washer 6x12x1	Rondelle cuivre 6x12x1	Kupferdichtring 6x12x1	Arandela de empuje de cobre 6x12x1	1	4
5	11.47015.000	Bullone m6x12 RS ch 8	Bolt m6x12 RS ws 8	Boulon m6x12 RS ch 8	Schraube m6x12 sw 8	Perno de anclaje m6x12 RS ch 8	1	5
6	31.38010.000	Vite brugola tcce m6x25	Socket head screw m6x25	Vis allen tcce m6x25	Inbusschraube m6x25	Tornillo de cabeza hexagonal tcce m6x25	2	6
7	27.84126.000	Rullino rc 4x8	Spindle rc 4x8	Galet rc 4x8	Nadelrolle 4x8	Rodillo rc 4x8	2	7
8	16.42901.000	Getto 0.75	Jet 0.75	Gicleur 0,75	Düse 0.75	Empuje 0.75	1	8
9	16.67208.000	Guarnizione testa	Cylinder head gasket	Joint de culasse	Zylinderkopfdichtung	Junta de la cabeza	1	9
10	12.68951.000	Testa	Cylinder head	Culasse	Zylinderkopf	Cabeza	1	10
11	27.23494.800	Raccordo carburatore	Carburettor flange	Raccord carburateur	Ansaugstutzen	Desvío de admisión	1	11
12	11.48025.000	Bullone m6x16 RS ch 8	Bolt m6x16 RS ws 8	Boulon m6x16 RS ch 8	Schraube m6x16 sw 8	Perno de anclaje m6x16 RS ch 8	2	12
13	25.98450.000	Prigioniero (testa/carter/cilindro)	Stud (head/cylinder/crankcase)	Goujon (culasse/carter/cylindre)	Zylinderstehbolzen	Prisionero (cabeza/cárter/cilindro)	4	13
14	27.58505.000	Rondella rasamento 10.2x21x3	Thrust washer 10.2x21x3	Rondelle 10,2x21x3	Passscheibe 10.2x21x3	Arandela 10.2x21x3	4	14
15	13.20210.000	Dado speciale m10x1.25 ch 13	Special nut m10x1.25 ws 13	Écrou spécial m10x1,25 ch 13	Spezialmutter m10x1,25 sw 13	Tuerca especial m10x1.25 ch 13	4	15
16	12.25195.000	Candela	Sparkplug	Bougie	Kerze	Bujía de encendido	1	16
17	10.67408.000	Anello di sicurezza ø10	Safety washer ø10	Bague de sécurité ø10	Sicherheitsring ø10	Anillo de seguridad ø10	4	17
18	16.92901.000	Guida valvola	Valve Guide	Guide valves	Ventilführung	Guida valvulas	4	18
19	11.47015.000	Bullone m6x12 RS ch 8	Bolt m6x12 RS ws 8	Boulon m6x12 RS ch 8	Schraube m6x12 RS sw 8	Perno de anclaje m6x12 RS ch 8	1	19
20	27.58000.000	Rondella rame 6x12x1	Copper washer 6x12x1	Rondelle cuivre 6x12x1	Kupferscheibe 6x12x1	Arandela de cobre 6x12x1	1	20
21	29.00320.000	Tappo olio ad espansione	Oil expansion plug	Bouchon d'huile à expansion	Ölkanalverschlussstopfen	Tapón extensible del aceite	2	21
22	10.66940.000	Anello or 50.52x1.78	O-ring 50.52x1.78	Bague jt 50,52x1,78	O-ring 50.52x1.78	Anillo or 50.52x1.78	2	22
23	12.68910.059	Coperchio registro valvole aspirazione	Cover for inlet valve adjuster	Couvercle accès soupape admy.	Ventileinstelldeckel Einlaß	Cubierta de registro de las válvulas de admisión	1	23
24	11.48025.000	Bullone m6x16 RS ch 8	Bolt m6x16 RS ws 8	Boulon m6x16 RS ch 8	Schraube m6x16 RS sw 8	Perno de anclaje m6x16 RS ch 8	4	24
25	12.68911.059	Coperchio registro valvole scarico	Cover for exhaust valve adjuster	Couvercle accès soupape éch.	Ventileinstelldeckel Auslaß	Cubierta de registro de las válvulas de escape	1	25
26	11.05540.000	Bullone m6x55 RS ch 8	Bolt m6x55 RS ws 8	Boulon m6x55 RS ch 8	Schraube m6x55 sw 8	Perno de anclaje m6x25 RS ch 8	4	26
27	27.58000.000	Rondella rasamento rame 6x12x1	Copper thrust washer 6x12x1	Rondelle cuivre 6x12x1	Kupferdichtring 6x12x1	Arandela de empuje de cobre 6x12x1	4	27
28	11.50355.000	Bullone m6x35 RS ch 8	Bolt m6x35 RS ws 8	Boulon m6x35 RS ch 8	Schraube m6x35 sw 8	Perno de anclaje m6x35 RS ch 8	4	28
29	16.53600.000	Guarnizione 16x22.5x1	Gasket 16x22.5x1	Joint 16x22,5x1	Dichtung 16x22.5x1	Junta 16x22.5x1	2	29
30	29.10528.000	Tappo sede bilanciata	Rocker spindle housing plug	Bouchon siège de culbuteur	Verschlusschraube Kipphebelwelle	Tapón circular del balancín	2	30
31	10.66800.000	Anello or 1.78x31.47	Or-ring 1.78x31,47	Bague jt 1.78x31,47	O-ring 1.78x31,47	Anillo or 1.78x31,47	1	31
32	29.10536.000	Tappo distribuzione	Camshaft end plug	Bouchon distribution	Verschlusskappe Nockenwellenlager	Tapón de distribución	1	32

NO	CODE	DESCRIZIONE	DESCRIPTION	DESCRIPTION	BESCHREIBUNG	DESCRIPCIÓN	Q.TY	NO
33	16.36300.000	Grano 8x6	Dowel 8x6	Silentbloc 8x6	Passhülse 8x6	Bulón de centrado 8x6	2	33
34	25.57912.000	Piastrina fissaggio molla collettore	Retaining plate for manifold spring	Plaque de fixation ressort de coll.	Federlasche für Auspuffkrümmer	Pastilla de fijación del muelle colector	2	34
35	31.31050.000	Vite brugola tcce m6x15	Socket head screw m6x15	Vis allen tcce m6x15	Inbusschraube tcce m6x15	Tornillo de cabeza hexagonal tcce m6x15	4	35
36	11.04812.000	Bocchettone scarico	Exhaust flange	Raccord d'échappement	Auspuffstutzen	Tapón roscado de escape	1	36
37	16.74960.000	Guarnizione coperchio pompa acqua	Water pump cover gasket	Joint couvercle de pompe à eau	Wasserpumpendeckeldichtung	Junta de la cubierta de la bomba de agua	1	37
38	12.67932.000	Coperchio pompa acqua	Water pump cover	Couvercle de pompe à eau	Wasserpumpendeckel	Cubierta de la bomba de agua	1	38
39	11.49070.000	Bullone m6x20 RS ch 8	Bolt m6x20 RS ws 8	Boulon m6x20 RS ch 8	Schraube m6x20 sw 8	Perno de anclaje m6x20 RS ch 8	3	39



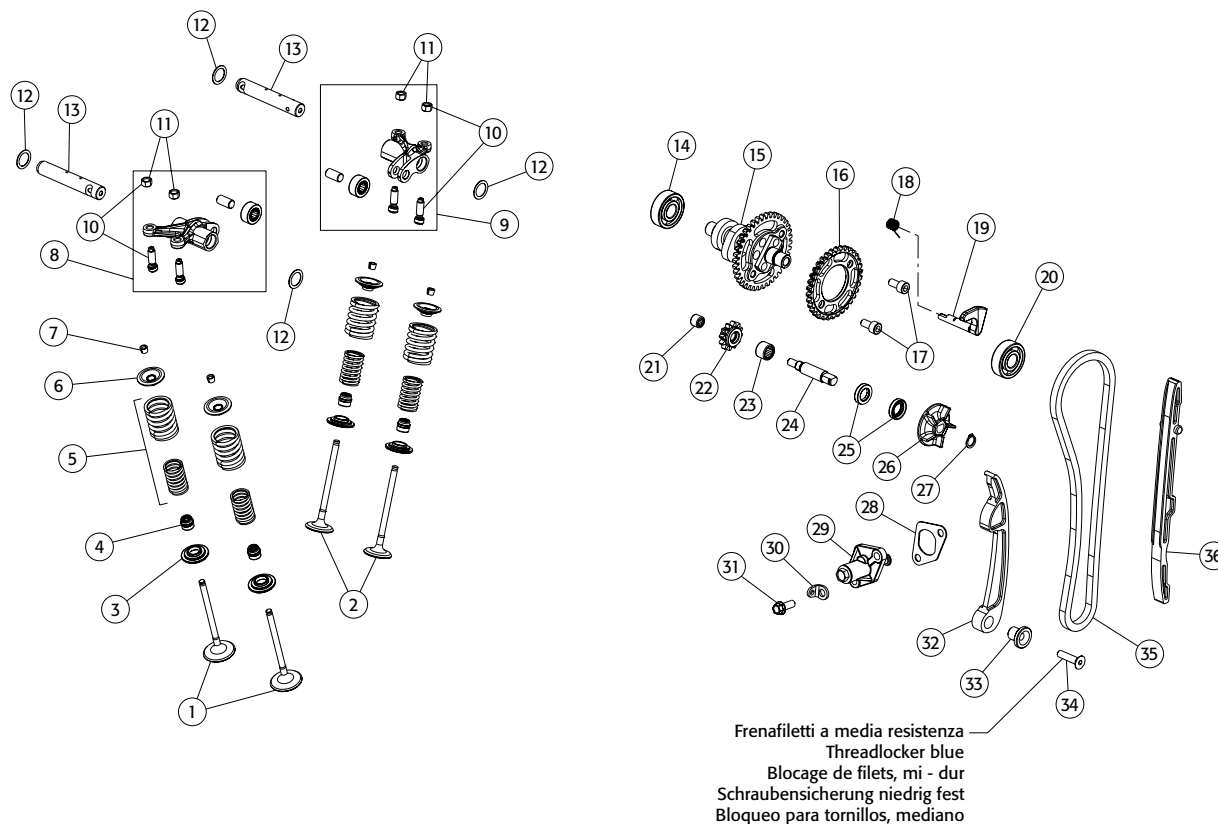


## Valvole e distribuzione - Valves and timing - Soupapes et distribution Ventile und Ventilsteuerung - Válvulas y distribución

NO	CODE	DESCRIZIONE	DESCRIPTION	DESCRIPTION	BESCHREIBUNG	DESCRIPCIÓN	Q.TY	NO
1	31.13600.000	Valvola di aspirazione	Inlet valve	Soupape d'admission	Einlassventil	Válvula de admisión	2	1
2	31.13601.000	Valvola di scarico	Exhaust valve	Soupape d'échappement	Auslassventil	Válvula de escape	2	2
3	28.16822.000	Scodellino inferiore	Lower spring cap	Coupelle inférieure	Ventilteller unten	Cazoleta inferior	4	3
4	27.25700.000	Raschiavalvole	Valveguide oilseal	Joint de la tige de soupape	Ventilschaftdichtung	Funda de las válvulas	4	4
5	20.12202.000	Set molle	Valve spring set	Ressort soupapeKit	Ventilfedernkit	Muelles Válvula	4	5
6	28.16823.000	Scodellino superiore	Upper spring cap	Coupelle supérieure	Ventilteller oben	Cazoleta superior	4	6
7	28.78800.000	Semicono	Split collet	Clavette	Kegelstück	Tuerca de separación	8	7
8	11.20200.800	Bilanciere lato aspirazione	Inlet rocker arm	Culbuteur côté admission	Kipphebel Einlaß	Balancín lateral de admisión	1	8
9	11.20210.800	Bilanciere lato scarico	Exhaust rocker arm	Culbuteur côté échappement	Kipphebel Auslaß	Balancín lateral de escape	1	9
10	27.26100.000	Registro a vite	Screw adjuster	Réglage à vis	Einstellschraube	Registro a tornillos	4	10
11	13.20030.000	Dado di registro	Adjuster nut	Écrou de réglage	Stellmutter	Tuerca de registro	4	11
12	27.59909.000	Rondella rasamento 12x17x0.5	Thrust washer 12x17x0.5	Rondelle 12x17x0,5	Passscheibe 12x17x0.5	Arandela de empuje 12x17x0.5	4	12
13	22.54550.000	Perno bilanciere scarico/aspirazione	Inlet/exhaust rocker spindle	Axe culbuteur éch./adm.	Kipphebelwelle	Perno del balancín de escape o admisión	2	13
14	12.93501.000	Cuscinetto 12x32x10 (6201)	Bearing 12x32x10 (6201)	Roulement 12x32x10 (6201)	Lager 12x32x10 (6201)	Cojinete 12x32x10 (6201)	1	14
15	10.39000.000	Albero a camme	Camshaft	Arbre à cames	Nockenwelle	Árbol de levas	1	15
16	12.91400.000	Corona distribuzione (z=34)	Camshaft sprocket (z=34)	Couronne de distribution (z=34)	Nockenwellenrad (z=34)	Culata de distribución (z=34)	1	16
17	31.30200.000	Vite brugola tcce m6x10	Socket head screw m6x10	Vis allen tcce m6x10	Inbusschraube m6x10	Tornillo de cabeza hexagonal tcce m6x10	2	17
18	22.47150.000	Molla decompressore	Decompressor spring	Ressort décompression	Autodekofeder	Muelle de descompresión	1	18
19	22.22900.000	Massa decompressore	Decompressor mass	Masse décompression	Autodeko	Masa de descompresión	1	19
20	12.93502.000	Cuscinetto 12x32x10 (6201nr)	Bearing 12x32x10 (6201nr)	Roulement 12x32x10 (6201nr)	Lager 12x32x10 (6201nr)	Cojinete 12x32x10 (6201nr)	1	20
21	11.22058.000	Boccola a rulli 6x10x8 hk	Roller bearing 6x10x8 hk	Douille à roulements 6x10x8 hk	Rollenbuchse 6x10x8 hk	Caja de grasa de rodillos 6x10x8 hk	1	21
22	18.82650.000	Ingranaggio pompa acqua	Water pump gear	ngrenage pompe à eau	Wasserpumpenzahnrad	Engranaje de la bomba de agua	1	22
23	11.22100.000	Boccola a rulli 10x14x10	Roller bearing 10x14x10	Douille à roulements 10x14x10	Rollenbuchse 10x14x10	Caja de grasa de rodillos 10x14x10	1	23
24	10.27770.000	Albero pompa acqua	Water pump shaft	Arbre de pompe à eau	Wasserpumpenwelle	Eje de la bomba de agua	1	24
25	10.44490.000	Anello paraolio 14x24x4	Oil seal 14x24x4	Bague d'étanchéité 14x24x4	Wellendichtring 14x24x4	Anillo de retención del aceite 14x24x4	2	25
26	16.20900.000	Girante pompa acqua	Water pump impeller	Couronne de pompe à eau	Wasserpumpenrad	Bomba de agua rotativa	1	26
27	28.22657.000	Seeger per albero ø9	Circlip for shaft ø9	Seeger pour arbre ø9	Seegerring Dm.9	Anillo elástico para el cigüeñal ø9	1	27
28	16.74990.000	Guarnizione tendi catena	Gasket for camchain tensioner	Joint tendeur de chaîne	Kettenspannerdichtung	Junta del tensor de la cadena	1	28
29	29.11920.000	Tendi catena (tks4)	Camchain tensioner (tks4)	Tendeur de chaîne (tks4)	Federlasche	Tensor de la cadena (tks4)	1	29
30	25.57912.000	Piastrina fissaggio molla collettore	Retaining plate for manifold spring	Plaque de fixation du ressort du collecteur	Befestigungsplatte krümmerfeder	Pastilla de fijación del muelle colector	1	30
31	11.48025.000	Bullone m6x16 RS ch 8	Bolt m6x16 RS ws 8	Boulon m6x16 RS ch 8	Schraube m6x16 sw 8	Perno de anclaje m6x16 RS ch 8	2	31
32	25.25551.000	Pattino mobile	Timing chain tensioner	Patin mobile	Kettenführung hinten	Zapata móvil	1	32

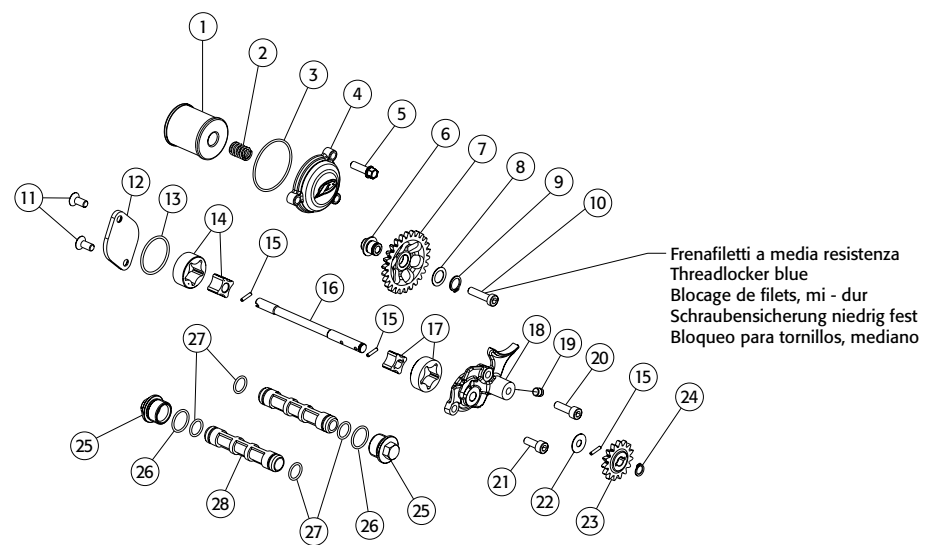


NO	CODE	DESCRIZIONE	DESCRIPTION	DESCRIPTION	BESCHREIBUNG	DESCRIPCIÓN	Q.TY	NO
33	11.27160.000	Boccola pattino mobile	Bush for timing chain tensioner	Douille de patin mobile	Lagerbüchse für Kettenführung	Caja de grasa de la zapata móvil	1	33
34	31.52500.000	Vite tspce m6x25	Screw tspce m6x25	Vis tspce m6x25	Inbusstrenkkopfschraube m6x25	Tornillo tspce m6x25	1	34
35	12.06450.000	Catena distribuzione	Camchain	Chaîne de distribution	Steuerkette	Cadena de distribución	1	35
36	25.25550.000	Pattino fisso	Timing chain guide	Patin fixe	Vordere Kettenführung	Zapata fija	1	36



## Sistema di lubrificazione - Lubrication system - Système de lubrification Schmiersystem - Sistema de lubricación

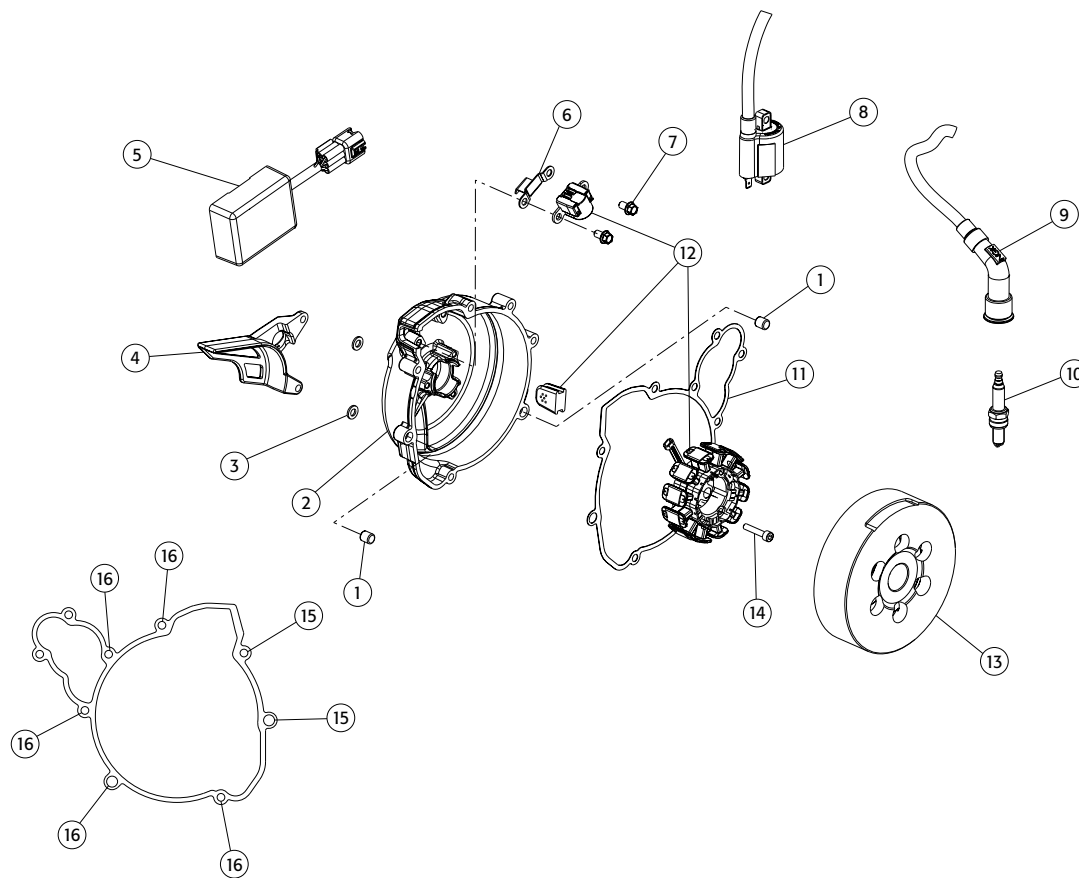
NO	CODE	DESCRIZIONE	DESCRIPTION	DESCRIPTION	BESCHREIBUNG	DESCRIPCIÓN	Q.TY	NO
1	15.26060.000	Filtro olio mandata	Oil filter	Filtre à huile envoi	Ölfilter	Filtro del aceite de descarga	1	1
2	22.48830.000	Molla filtro olio	Spring for oil filter	Ressort de filtre à huile	Feder ölfilter	Muelle del filtro de aceite	1	2
3	10.66932.000	Anello or 44.17x1.78	O-ring 44.17x1.78	Joint torique 44,17x1,78	O-ring 44.17x1.78	Or 44.17x1.78	1	3
4	29.10531.000	Tappo filtro mandata	Oil filter Cover	Bouchon de filtre envoit	Ölfilterdeckel	Tapón del filtro de descarga	1	4
5	11.49070.000	Bullone m6x20 RS ch 8	Bolt m6x20 RS ws 8	Boulon m6x20 RS ch 8	Schraube m6x20 sw 8	Perno de anclaje m6x20 RS ch 8	3	5
6	25.45270.000	Perno rinvio	Idler gear pin	Axe renvoi	Lagerbüchse	Perno de reenvío	1	6
7	18.82605.000	Ingranaggio di rinvio	Idler gear	Pignon de renvoi	Zahnrad	Engranaje de reenvío	1	7
8	27.58600.000	Rondella rasamento 11x17x0.5	Thrust washer 11x17x0.5	Rondelle 11x17x0,5	Passscheibe 11x17x0.5	Arandela de empuje 11x17x0.5	1	8
9	28.22720.000	Seeger per albero ø11	Circlip for shaft ø11	Seeger pour arbre ø11	Seegerring für welle ø11	Anillo elástico para el cigüeñal ø11	1	9
10	31.48507.000	Vite tcce m6x25 testa ribassata	Shallow head screw m6x25	Vis tcce m6x25 à tête basse	Inbusschraube m6x25	Tornillo tcce m6x25 de cabeza rebajada	1	10
11	31.30595.000	Vite tspce m6x14	Screw m6x14	Vis tspce m6x14	Inbusstenkkopfschraube m6x14	Tornillo tspce m6x14	2	11
12	29.10532.000	Tappo pompa olio sx	Cover for oil pump lh	Bouchon de pompe à huile gauche	Ölpumpendeckel links	Tapón de la bomba de aceite sx	1	12
13	10.66830.000	Anello or 32x2	O-ring 32x2	Joint torique 32x2	O-ring 32x2	Or 32x2	1	13
14	25.88611.000	Pompa olio h-10	Oil pump h-10	Pompe à huile h-10	Ölpumpe 12 mm	Bomba de aceite h-10	1	14
15	27.84102.000	Rullino rn 2.5x11.8	Roller rn 2.5x11.8	Aiguille de roulement rn 2,5x11,8	Rolle rn 2.5x11.8	Rodillo rn 2.5x11.8	3	15
16	10.27761.000	Albero pompa olio	Shaft, oil pump	Arbre de pompe à huile	Ölpumpenwelle	Eje de la bomba de aceite	1	16
17	25.88610.000	Pompa olio h-12	Oil pump h-12	Pompe à huile h-12	Ölpumpe 10 mm	Bomba de aceite h-12	1	17
18	29.10533.000	Tappo pompa olio dx	Cover for oil pump rh	Bouchon de pompe à huile droite	Ölpumpendeckel rechts	Tapón de la bomba de aceite dx	1	18
19	29.00320.000	Tappo olio ad espansione	Oil expansion plug	Bouchon d'huile à expansion	Ölkanalverschlussstopfen	Tapón extensible del aceite	1	19
20	31.34510.000	Vite brugola tcce m6x20	Socket head screw m6x20	Vis allen tcce m6x20	Inbusschraube m6x20	Tornillo de cabeza hexagonal tcee m6x20	1	20
21	31.31050.000	Vite brugola tcce m6x15	Socket head screw m6x15	Vis allen tcce m6x15	Inbusschraube m6x15	Tornillo de cabeza hexagonal tcce m6x15	1	21
22	27.58061.050	Rondella rasamento 8.2x15x0.5	Thrust washer 8.2x15x0.5	Rondelle 8,2x15x0,5	Passscheibe 8.2x15x0.5	Arandela de empuje 8.2x15x0.5	1	22
23	18.81010.000	Ingranaggio pompa olio	Oil pump gear	Pignon de pompe à huile	Ölpumpenrad	Engranaje de la bomba de aceite	1	23
24	28.22652.000	Seeger per albero ø8	Circlip for shaft ø8	Seeger pour arbre ø8	Seegerring für welle ø8	Anillo elástico para el cigüeñal ø8	1	24
25	36.25357.000	Tappo m20x1.5 ch 13	Plug m20x1.5 ws 13	Bouchon m20x1,5 ch 13	Ölfilterschraube m20x1,5 sw 13	Tapón m20x1.5 ch 13	2	25
26	10.66321.000	Anello or 17.17x1.78	O-ring 17.17x1.78	Joint torique 17,17x1,78	O-ring 17.17x1.78	Or 17.17x1.78	2	26
27	10.66295.000	Anello or 12.42x1.78	O-ring 12.42x1.78	Joint torique 12,42x1,78	O-ring 12.42x1.78	Or 12.42x1.78	4	27
28	36.25356.000	Filtro olio 15x83	Oil filter 15x83	Filtre à huile 15x83	Ölfilter 15x83	Filtro de aceite 15x83	2	28





## Accensione Ignition - Allumage - Zündung - Encendido

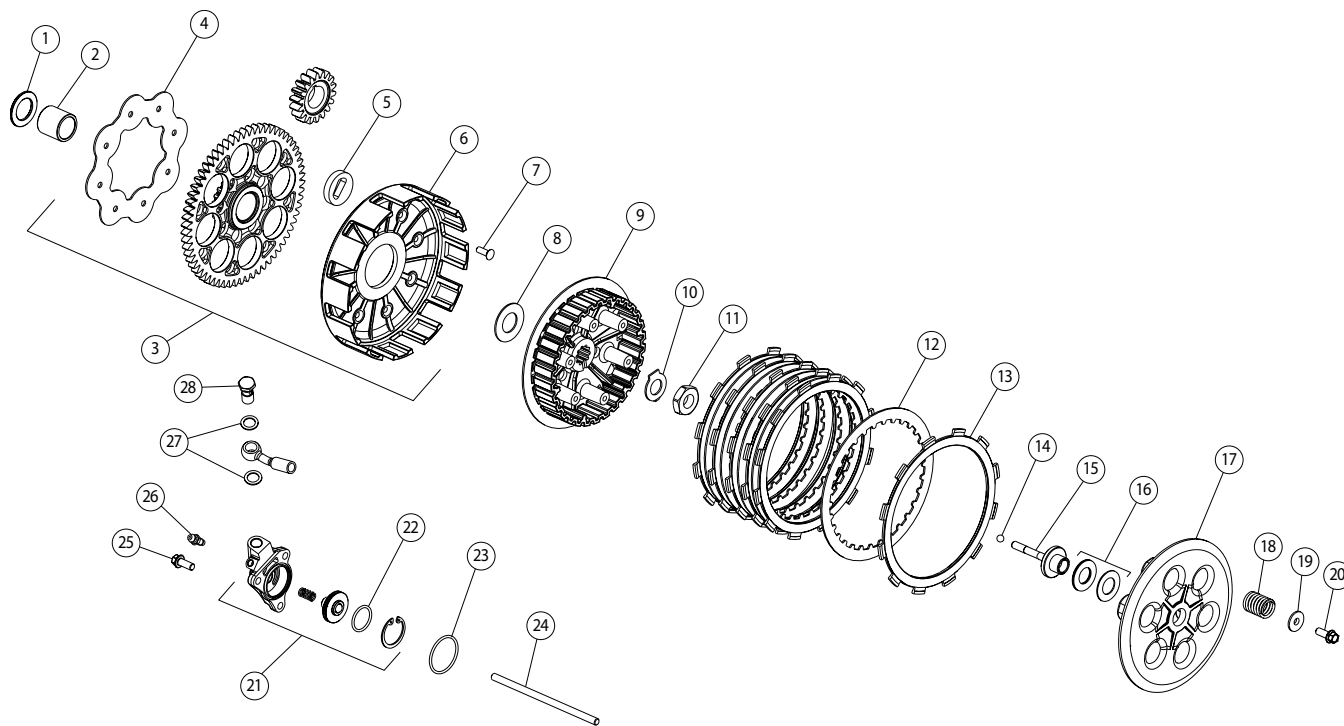
NO	CODE	DESCRIZIONE	DESCRIPTION	DESCRIPTION	BESCHREIBUNG	DESCRIPCIÓN	Q.TY	NO
1	16.36500.000	Grano 9x7,2x10	Dowel 9x7,2x10	Silentbloc 9x7,2x10	Passhülse 9x7,2x10	Bulón de centraje 9x7,2x10	2	1
2	12.69715.000	Coperchio volano	Flywheel cover	Couvercle volant	Zündungsdeckel	Cubierta del volante	1	2
3	27.40500.000	Rondella 6.5x12x1.5	Thrust 6.5x12x1.5	Rondelle 6.5x12x1.5	Distanzscheibe 6,5x12x1,5	Arandela 6.5x12x1.5	2	3
4	12.67921.000	Coperchio pignone	Sprocket cover	Couvercle de pignon	Ritzelabdeckung	Cubierta del piñón	1	4
5	12.41832.000	Centralina digitale	Digital control unit	Boîtier cdi	Digitalbox	Regulador digital	1	5
6	25.57659.000	Piastrina contenimento fili	Cable retainer plate	Plaque de fixation des fils	Kabelhalteplatte	Pastilla para la contención de los cables	1	6
7	11.47015.000	Bullone m6x12 RS ch 8	Bolt m6x12 RS ws 8	Boulon m6x12 RS ch 8	Schraube m6x12 sw 8	Perno de anclaje m6x12 RS ch 8	2	7
8	11.20681.000	Bobina	Coil	Bobine	Zündspule	Bobina	1	8
9	27.13500.000	Raccordo candela	Sparkplug cap	Raccord pour bougie	Kerzenstecker	Desvío de la bujía de encendido	1	9
10	12.25195.000	Candela	Sparkplug	Bougie	Kerze	Bujía de encendido	1	10
11	16.75133.000	Guarnizione coperchio volano	Flywheel cover gasket	Joint couvercle volant	Zündungsdeckeldichtung	Junta de la cubierta del volante	1	11
12	28.97814.000	Statore volano	Alternator stator	Stator volant	Zündungsstator	Placa del volante	1	12
13	27.00367.000	Rotore volano	Alternator rotor	Rotor volant	Polrad	Rotor del volante	1	13
14	31.30020.000	Vite tcce m5x25	Screw m5x25	Vis tcce m5x25	Inbusschraube m5x25	Tornillo tcce m5x25	3	14
15	11.50355.000	Bullone m6x35 RS ch 8	Bolt m6x35 RS ws 8	Boulon m6x35 RS ch 8	Schraube m6x35 sw 8	Perno de anclaje m6x35 RS ch 8	2	15
16	11.50300.000	Bullone m6x30 RS ch 8	Bolt m6x30 RS ws 8	Boulon m6x30 RS ch 8	Schraube m6x30 sw 8	Perno de anclaje m6x30 RS ch 8	5	16



## Frizione

### Clutch - Embrayage - Kupplung - Embrague

NO	CODE	DESCRIZIONE	DESCRIPTION	DESCRIPTION	BESCHREIBUNG	DESCRIPCIÓN	Q.TY	NO
1	27.73625.000	Rondella rasamento 20x32x2	Thrust washer 20x32x2	Rondelle 20x32x2	Passscheibe 20x32x2	Arandela de empuje 20x32x2	1	1
2	11.22830.000	Boccola 20x25x23.8	Bush 20x25x23.8	Douille 20x25x23.8	Buchse 20x25x23.8	Caja de grasa 20x25x23.8	1	2
3	29.07320.000	Trasmissione primaria	Primary transmission	Transmission primaire	Primärtrieb	Transmisión primaria	1	3
4	13.42962.000	Disco ritegno silent block frizione	Silent block retaining disc	Disque de retenue du silentbloc d'emb.	Kupplungskorb Befestigungsplatte	Disco de retención del embrague silent block	1	4
5	28.91840.000	Silent block frizione	Clutch silent block	Silentbloc d'embrayage	Ruckdämpfergummi	Embrague silent block	8	5
6	12.20783.000	Campana frizione	Clutch basket	Cloche d'embrayage	Kupplungskorb	Campana del embrague	1	6
7	27.31660.000	Ribattino 5x16	Rivet 5x16	Rivet 5x16	Niet 5x16	Remache 5x16	8	7
8	27.72150.000	Rondella rasamento 18.3x35x1.3	Thrust washer 18.3x35x1.3	Rondelle 18,3x35x1,3	Passscheibe 18.3x35x1.3	Arandela de empuje 18.3x35x1.3	1	8
9	29.09621.000	Tamburino frizione	Inner clutch hub	Moyeau d'embrayage	Kupplungsmitnehmer	Tambor del embrague	1	9
10	27.74760.000	Rondella 14 fermadado 125-76	Clutch nut tab washer 14 125-76	Rondelle 14 serre-écrou 125-76	Sicherungsblech	Arandela de empuje 14 tuerca con pasador 125-76	1	10
11	13.28950.000	Dado speciale M 14x1.25x6 ch 22	Special nut M 14x1.25x6 ws 22	Écrou spécial M 14x1,25x6 ch 22	Spezialmutter M 14x1.25x6 sw 22	Tuerca especial M 14x1.25x6 ch 22	1	11
12	13.38360.000	Disco condotto	Still disk	Disque acier	Stahllamelle	Disco canalizado	5	12
13	13.43312.000	Disco conduttore	Lining disk	Disque garni	Belaglamelle	Disco canalizador	6	13
14	28.90210.000	Sfera ø6 per frizione	Clutch pushrod ball ø6	Bille ø6 pour embrayage	Kugel Dm.6 für Kupplung	Esfera de ø6 para el embrague	1	14
15	25.60410.000	Piattello spingidisco	Lifter, clutch pressure plate	Plateau pousse-disque	Druckteller	Placa disco	1	15
16	16.11370.000	Gabbia reggispinta 15x28x2	Clutch lifter needle bearing 15x28x2	Douille à aiguilles 15x28x2	Axialdrucklager	Caja de la chumacera 15x28x2	1	16
17	12.29601.000	Cappello frizione	Clutch pressure cap	Capuchon d'embrayage	Kupplungsdruckkappe	Tapa del embrague	1	17
18	22.65071.000	Molla frizione (13.5kg)	Clutch spring (13.5kg)	Ressort d'embrayage (13,5kg)	Kupplungsfeder (13.5kg)	Muelle del embrague (13.5kg)	6	18
19	27.42010.000	Rondella speciale	Special washer	Rondelle spéciale	Spezialscheibe	Arandela especial	6	19
20	11.48025.000	Bullone m6x16 RS ch8	Bolt m6x16 RS ch8	Boulon m6x16 RS ch8	Schraube m6x16 sw 8	Perno de anclaje m6x16 RS ch8	6	20
21	12.91891.000	Corpo pompa frizione c/pistone	Clutch slave cylinder c/w piston	Pousseur d'embrayage avec pist.	Kupplungsnehmerzylinder kpl.	Protector con pistón de la bomba del embrague	1	21
22	10.66520.000	Anello or 23.52x1.78 epdm (or2-021)	O-ring 23.52x1.78 epdm (or2-021)	Bague jt 23,52x1,78 epdm (or2-021)	O-ring 23.52x1.78 epdm (or2-021)	Anillo or 23.52x1.78 epdm (or2-021)	1	22
23	10.66700.000	Anello or 29x32x1.5	O-ring 29x32x1.5	Bague jt 29x32x1.5	O-ring 29x32x1.5	Anillo or29x32x1.5	1	23
24	10.88258.000	Asta comando frizione 6x124	Clutch pushrod 6x124	Tige de commande d'embrayage 6x124	Kupplungsdruckstange 6x124	Varilla del mecanismo de embrague 6x124	1	24
25	11.48025.000	Bullone m6x16 RS ch 8	Bolt m6x16 RS ws 8	Boulon m6x16 RS ch 8	Schraube m6x16 sw 8	Perno de anclaje m6x16 RS ch 8	3	25
26	28.91050.000	Sfiato aria	Bleed nipple	Purge d'air	Entlüftungsrippel	Respiradero	1	26
27	16.50510.000	Guarnizione 10x15x1 in rame	Copper washer 10x15x1	Joint 10x15x1 cuivre	Kupferdichtring 10x15x1	Junta 10x15x1 de cobre	2	27
28	11.65040.000	Bullone forato m10x1 per tubo freno	Banjo bolt m10x1 for hydraulic hose	Boulon perforé m10x1 durite de frein	Hohlschraube m10x1 für bremschlauch	Perno de anclaje taladrado m10x1 para el tubo de freno	1	28

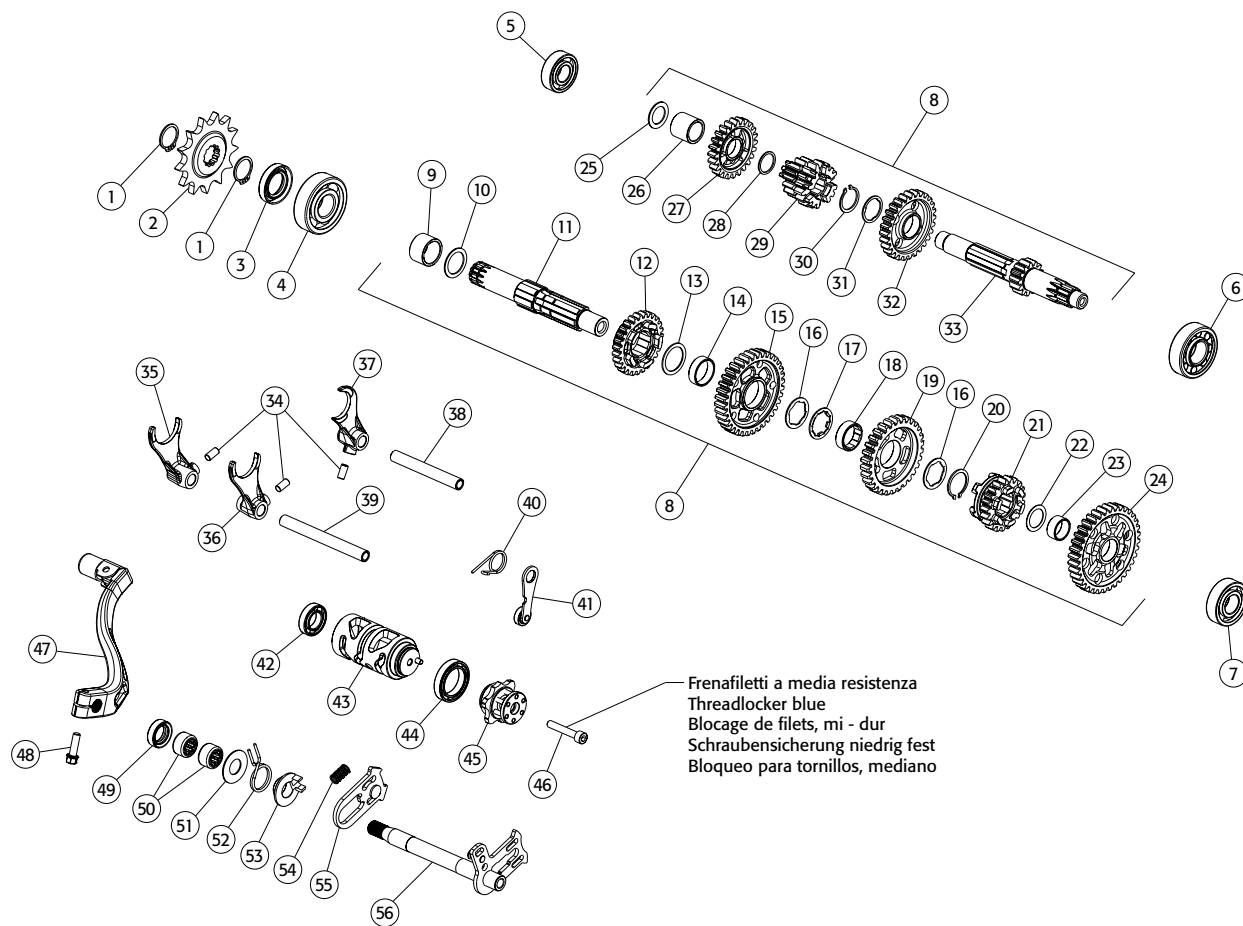




## Cambio e comando cambio - Gearbox and gearchange mechanism - Boîte de vitesses et commande de boîte de vitesses - Getriebe und Schaltung - Caja de cambios y mecanismo de cambio de marchas

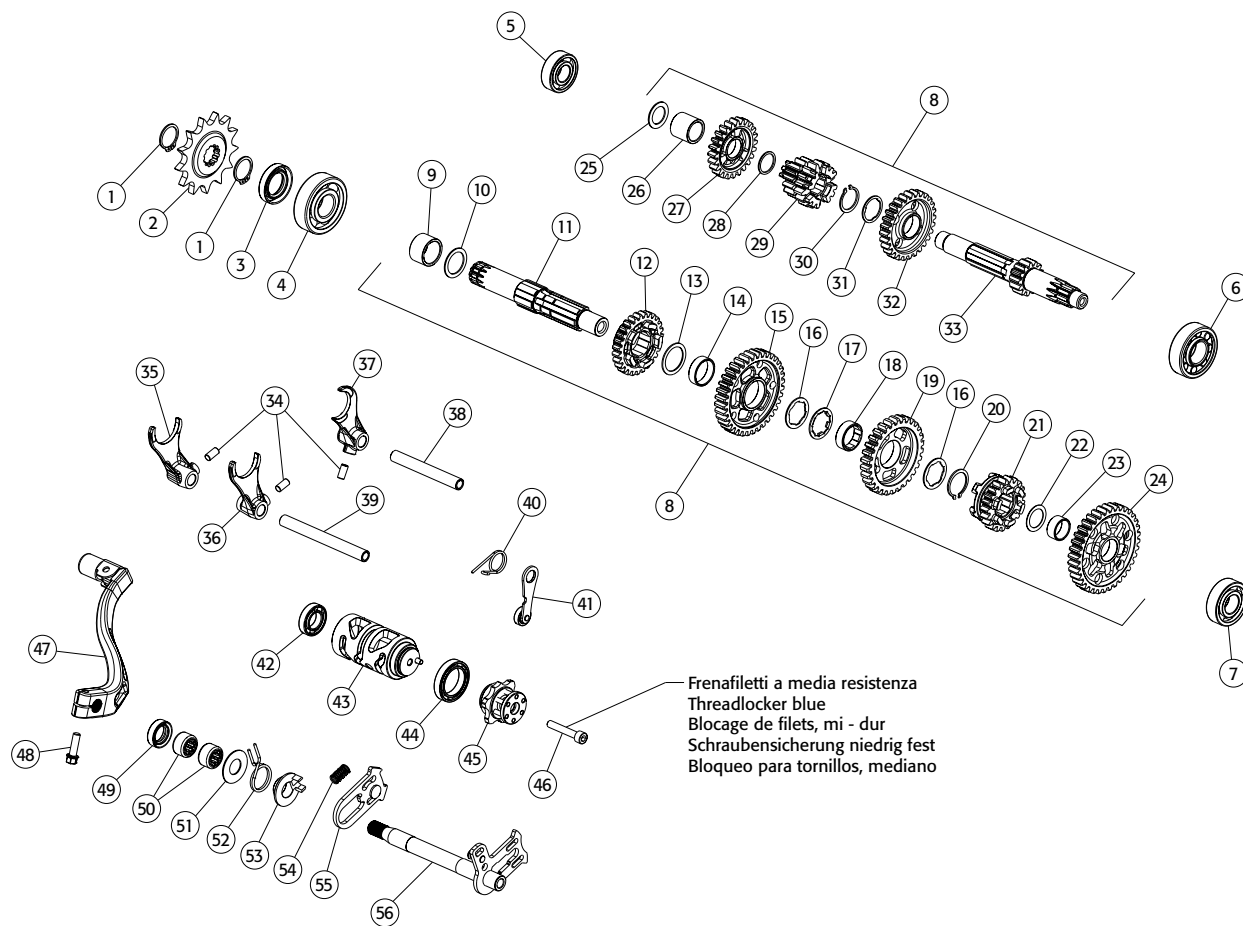
NO	CODE	DESCRIZIONE	DESCRIPTION	DESCRIPTION	BESCHREIBUNG	DESCRIPCIÓN	Q.TY	NO
1	28.25400.000	Seeger 20e	Circlip 20e	Seeger 20e	Seegerring 20e	Anillo elástico 20e	2	1
2	25.60845.000	Pignone z13 omologazione	Sprocket z13 homologation	Pignon z13 homologation	Ritzel z13 zulassung	Piñón z13 homologado	1	2
2	25.60844.000	Pignone z11 evo	Sprocket z11 evo	Pignon z11 evo	Ritzel z11 evo	Piñón z11 evo	1	2
3	10.64113.000	Anello paraolio 20x35x7	Oil seal 20x35x7	Bague d'étanchéité 20x35x7	Wellendichtring 20x35x7	Anillo de retención del aceite 20x35x7	1	3
4	12.99022.000	Cuscinetto 20x52x15	Bearing 20x52x15	Roulement 20x52x15	Lager 20x52x15	Cojinete 20x52x15	1	4
5	12.94001.000	Cuscinetto 15x35x11 (6202)	Bearing 15x35x11 (6202)	Roulement 15x35x11 (6202)	Lager 15x35x11 (6202)	Cojinete 15x35x11 (6202)	1	5
6	12.98501.000	Cuscinetto 20x47x14	Bearing 20x47x14	Roulement 20x47x14	Lager 20x47x14	Cojinete 20x47x14	1	6
7	12.95601.000	Cuscinetto 17x40x12	Bearing 17x40x12	Roulement 17x40x12	Lager 17x40x12	Cojinete 17x40x12	1	7
8	12.00740.800	Cambio completo	Gearbox complete	Boîtes de vitesses complète	Getriebe komplett	Caja de cambios completa	1	8
9	13.55130.000	Distanziale 20x25x15.4	Spacer 20x25x15.4	Entretoise 20x25x15.4	Distanzstück 20x25x15.4	Distanciadador 20x25x15.4	1	9
10	27.73213.000	Rondella rasamento 20x27x1	Thrust washer 20x27x1	Rondelle 20x27x1	Passscheibe 20x27x1	Arandela de empuje 20x27x1	1	10
11	10.29380.800	Albero secondario	Secondary shaft	Arbre secondaire	Abtriebswelle	Cigüeñal secundario	1	11
12	18.64835.800	Quarta sul secondario	Fourth gear - layshaft	Quatrième sur secondaire	4. Gang Schieberad	Cuarta marcha en el cigüeñal secundario	1	12
13	27.73826.000	Rondella rasamento 22.2x29x1	Thrust washer 22.2x29x1	Rondelle 22,2x29x1	Passscheibe 22.2x29x1	Arandela de empuje 22.2x21x3	1	13
14	11.29050.000	Boccola 22x28x8	Bush 22x28x8	Douille 22x28x8	Buchse 22x28x8	Caja de grasa 22x28x8	1	14
15	18.53125.800	Seconda sul secondario	Second gear - layshaft	Deuxième sur secondaire	2. Gang Losrad	Segunda marcha en el cigüeñal secundario	1	15
16	27.73822.000	Rondella scanalata	Splined washer	Rondelle	Nutscheibe	Arandela acanalada	2	16
17	27.73829.000	Rondella di fermo	Stop washer	Rondelle de butée	Anschlagscheibe	Arandela de detención	1	17
18	11.29051.000	Boccola scanalata 22x20x8.5	Splined bush 22x20x8.5	Douille 22x20x8,5	Nutbuchse 22x20x8.5	Caja de grasa acanalada 22x20x8.5	1	18
19	18.58945.800	Terza sul secondario	Third gear - layshaft	Troisième sur secondaire	3. Gang Losrad	Tercera marcha en el cigüeñal secundario	1	19
20	28.25485.000	Seeger	Circlip	Seeger	Seegerring	Anillo elástico	1	20
21	18.66415.800	Quinta sul secondario	Fifth gear - layshaft	Cinquième sur secondaire	5. Gang Schieberad	Quinta marcha en el cigüeñal secundario	1	21
22	27.73825.000	Rondella rasamento 17x24x0.5	Thrust washer 17x24x0.5	Rondelle 17x24x0,5	Passscheibe 17x24x0.5	Arandela de empuje 17x24x0.5	1	22
23	11.29047.000	Boccola 17x20x9.5	Bush 17x20x9.5	Douille 17x20x9,5	Buchse 17x20x9.5	Caja de grasa 17x20x9.5	1	23
24	18.43075.000	Prima sul secondario	First gear - layshaft	Première sur secondaire	1. Gang Losrad	Primera marcha en el cigüeñal secundario	1	24
25	27.64500.100	Rondella rasamento 15x25x1	Thrust washer 15x25x1	Rondelle 15x25x1	Passscheibe 15x25x1	Arandela de empuje 15x25x1	1	25
26	13.55131.000	Distanziale 17x22x20.1	Spacer 17x22x20.1	Entretoise 17x22x20,1	Distanzstück 17x22x20.1	Distanciadador 17x22x20.1	1	26
27	18.37735.800	Quarta sul primario	Fourth gear - mainshaft	Quatrième sur primaire	4. Gang Losrad	Cuarta marcha en el cigüeñal primario	1	27
28	27.73212.000	Rondella rasamento 17x20.5x1	Thrust washer 17x20.5x1	Rondelle 17x20,5x1	Passscheibe 17x20.5x1	Arandela de empuje 17x20.5x1	1	28
29	18.32215.800	Seconda e terza sul primario	Second and third gear - mainshaft	Deuxième et troisième sur primaire	2./3. Gang Schieberad	Segunda y tercera marchas en el cigüeñal primario	1	29





## Cambio e comando cambio - Gearbox and gearchange mechanism - Boîte de vitesses et commande de boîte de vitesses - Getriebe und Schaltung - Caja de cambios y mecanismo de cambio de marchas

NO	CODE	DESCRIZIONE	DESCRIPTION	DESCRIPTION	BESCHREIBUNG	DESCRIPCIÓN	Q.TY	NO
30	28.25465.000	Seeger	Circlip	Seeger	Seegerring	Anillo elástico	1	30
31	27.73821.000	Rondella scanalata	Splined washer	Rondelle	Nutscheibe	Arandela acanalada	1	31
32	18.38495.800	Quinta sul primario	Fifth gear - mainshaft	Cinquième sur primaire	5. Gang Losrad	Quinta marcha en el cigüeñal primario	1	32
33	10.23380.800	Albero primario	Mainshaft	Arbre primaire	Antriebswelle	Cigüeñal primario	1	33
34	27.84110.000	Rullino 6x12 per forchette	Peg 6x12, selector fork	Galet 6x12 pour fourches	Schaltgabelrolle 6x12	Rodillo 6x12 para las horquillas	3	34
35	15.64041.000	Forchetta 2°	Fork, second gear	Fourche 2°	Schaltgabel 2.	Horquilla 2°	1	35
36	15.64040.000	Forchetta 1°/3°	Fork, first/third	Fourche 1°/3°	Schaltgabel 1./3.	Horquilla 1°/3°	1	36
37	15.64042.000	Forchetta 4°/5°	Fork, fourth/fifth	Fourche 4°/5°	Schaltgabel 4./5.	Horquilla 4°/5°	1	37
38	25.51031.000	Perno forchetta 4°/5°	Spindle, fourth/fifth fork	Axe de fourche 4°/5°	Schaltschiene 4./5. Gang	Perno de la horquilla 4°/5°	1	38
39	25.51030.000	Perno forchetta 1°/2°/3°	Spindle, 1st/2nd/3rd fork	Axe de fourche 1°/2°/3°	Schaltschiene 1./2./3. Gang	Perno de la horquilla 1°/2°/3°	1	39
40	22.39591.000	Molla leva arresto marce	Detent lever spring	Ressort de levier d'arrêt de vit.	Feder gangarretierhebel	Muelle de palanca de cambio	1	40
41	21.17013.800	Leva arresto marce	Detent lever	Levier d'arrêt de vitesses	Gangarretierhebel	Palanca de cambio	1	41
42	12.93840.000	Cuscinetto 15x28x7	Bearing 15x28x7	Roulement 15x28x7	Lager 15x28x7	Cojinete 15x28x7	1	42
43	12.19693.800	Camma cambio	Selector drum	Taubour de sélection	Schaltwalze	Leva de la caja de cambios	1	43
44	12.99405.000	Cuscinetto 25x37x7	Bearing 25x37x7	Roulement 25x37x7	Lager 25x37x7	Cojinete 25x37x7	1	44
45	12.19692.800	Camma arresto marce	Detent cam	Came d'arrêt de boîte de vitesses	Schaltarretierung	Leva de la palanca de cambio	1	45
46	31.48510.000	Vite brugola tccem6x35	Socket head screw m6x35	Vis allen tccem6x35	Inbusschraube m6x35	Tornillo de cabeza hexagonal tccem6x35	1	46
47	21.21151.000	Leva comando cambio	Gearchange lever	Levier de boîte de vitesse	Schalthebel	Leva del mecanismo de cambio de marchas	1	47
48	11.49070.000	Bullone m6x20 RS ch 8	Bolt m6x20 RS ws 8	Boulon m6x20 RS ch 8	Schraube m6x20 sw 8	Perno de anclaje m6x20 RS ch 8	1	48
49	10.52013.000	Anello paraolio 14x24x7	Oil seal 14x24x7	Bague d'étanchéité 14x24x7	Wellendichtring 14x24x7	Anillo de retención del aceite 14x24x7	1	49
50	11.22310.000	Boccola a rulli 14x20x12	Roller bearing 14x20x12	Douille à roulements 14x20x12	Nadelhülse 14x20x12	Caja de grasa de rodillos 14x20x12	2	50
51	27.63020.000	Rondella rasamento 14x30x1	Thrust washer 14x30x1	Rondelle 14x30x1	Passscheibe 14x30x1	Arandela de empuje 14x30x1	1	51
52	22.72021.000	Molla ritorno comando cambio	Gearchange return spring	Ressort de retour commande de bte	Rückstellfeder Schaltung	Muelle de retorno del cambio de marchas	1	52
53	16.92910.000	Guida molla	Guide for spring	Guide-ressort	Federführung	Guía del muelle	1	53
54	22.68010.000	Molla ventaglio	Plate spring	Ressort éventail	Schaltfeder	Muelle del abanico	1	54
55	31.20981.800	Ventaglio mobile	Movable plate	Éventail mobile	Schaltgleitstück	Abanico móvil	1	55
56	10.13183.000	Albero comando cambio	Shaft	Arbre de commande de boîte de vit.	Schaltwelle	Cigüeñal del mecanismo de cambio de marchas	1	56

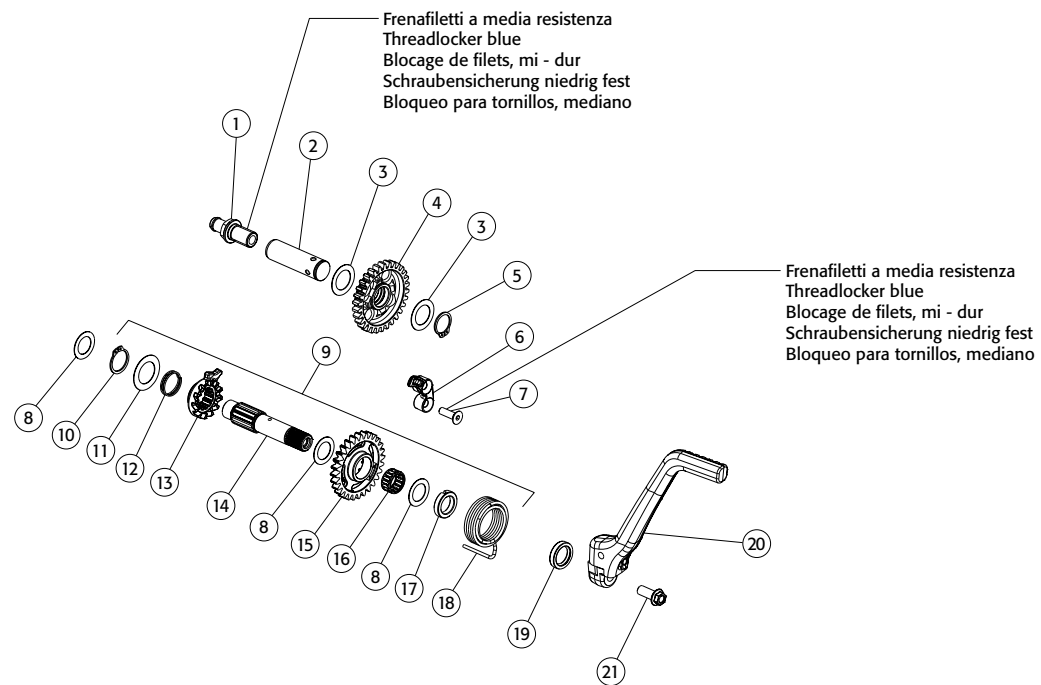




## Messa in moto

### Kickstart - Système de démarrage - Starter - Arranque

NO	CODE	DESCRIZIONE	DESCRIPTION	DESCRIPTION	BESCHREIBUNG	DESCRIPCIÓN	Q.TY	NO
1	11.22150.000	Bocchello di sfiato	Breather nozzle	Raccord de purge	Motorgehäuseentlüftung	Orificio del respiradero	1	1
2	25.53191.000	Perno per ingranaggio rinvio m.m.	Kickstart idler gear pin	Axe pignon de renvoi	Lagerwelle Kickstarterzwischenrad	Perno para el engranaje de reenvío para el arranque	1	2
3	27.72560.000	Rondella rasamento 18x27x0.5	Thrust washer 18x27x0.5	Rondelle 18x27x0,5	Passscheibe 18x27x0.5	Arandela de empuje 18x27x0.5	2	3
4	18.67824.000	Ingranaggio rinvio m.m.	Kickstart idler gear	Pignon de renvoi	Kickstarterzwischenrad	Engranaje de reenvío para el arranque	1	4
5	28.25300.000	Seeger 18e	Circlip 18e	Seeger 18e	Seegerring 18e	Anillo elástico 18e	1	5
6	11.15500.000	Rampa messa in moto	Kickstart ramp	Rampe de démarrage	Starterrampe	Rampa para el arranque	1	6
7	31.34400.000	Vite brugola tspce m6x20	Socket head screw m6x20	Vis allen tspce m6x20	Inbussenkopfschraube m6x20	Tornillo de cabeza hexagonal tspce m6x20	2	7
8	27.67500.050	Rondella rasamento 16x25x0.5	Thrust washer 16x25x0.5	Rondelle 16x25x0,5	Passscheibe 16x25x0.5	Arandela de empuje 16x25x0.5	3	8
9	22.05075.800	Messa in moto completa	Kickstart complete	Système de démarrage complet	Kickstartereinheit kpl.	Arranque completo	1	9
10	28.25400.000	Seeger 20e	Circlip 20e	Seeger 20e	Seegerring 20e	Anillo elástico 20e	1	10
11	27.73630.000	Rondella rasamento 20x30x0.5	Thrust washer 20x30x0.5	Rondelle 20x30x0,5	Passscheibe 20x30x0.5	Arandela de empuje 20x30x0.5	1	11
12	22.36562.000	Molla per manicotto	kickstart sleeve spring	Ressort de manchon	Feder für Gleitstück	Muelle para el manguito	1	12
13	22.14113.100	Manicotto messa in moto	Kickstart sleeve	Manchon de démarrage	Kickstartergleitstück	Manguito para el arranque	1	13
14	10.15134.800	Albero messa in moto	Kickstart shaft	Arbre de démarrage	Starterwelle	Cigüeñal de arranque	1	14
15	18.14633.800	Ingranaggio messa in moto	Kickstart gear	Pignon de démarrage	Kickstarterrad	Engranaje del arranque	1	15
16	16.14300.000	Gabbia a rulli 16x20x10	Roller bearing 16x20x10	Douille à aiguilles 16x20x10	Nadelkäfig 16x20x10	Caja de rodillos 16x20x10	1	16
17	13.55231.000	Distanziale messa in moto	Spacer for kickstart	Entretoise démarrage	Federführung	Distanciador del arranque	1	17
18	22.78973.000	Molla ritorno leva m.m.	kickstart lever return spring	Ressort levier de dém.	Rückholfeder starterhebel	Muelle de retorno de palanca del arranque	1	18
19	10.58000.000	Anello paraolio 16x24x5	Oil seal 16x24x5	Bague d'étanchéité 16x24x5	Wellendichtring 16x24x5	Anillo de retención del aceite 16x24x5	1	19
20	21.55162.000	Leva messa in moto	Kickstart lever	Levier de démarrage	Kickstarter	Palanca para el arranque	1	20
21	11.54492.000	Bullone m8x20 RS ch 10	Bolt m8x20 RS ws 10	Boulon m8x20 RS ch 10	Schraube m8x20 sw 10	Perno de anclaje m8x20 RS ch 10	1	21



## Utensili speciali

### Special utensils - Outils spéciaux - Spezialwerkzeug - Herramientas especiales

NO	CODE	DESCRIZIONE	DESCRIPTION	DESCRIPTION	BESCHREIBUNG	DESCRIPCIÓN	Q.TY	NO
1	01.00040.000	Estrattore volano	Flywheel extractor	Extracteur volant	Polradabzieher	Placa del volante	1	1
2	01.00041.000	Chiave per albero pompa acqua	Key for water pump shaft	Clé pour arbre de pompe à eau	Schlüssel für Wasserpumpenwelle	Llave para el eje de la bomba de agua	1	2
3	01.00042.000	Disaccoppiatore carter	Crankcase splitter	Séparateur de carter	Demontageplatte für Motorgehäuse	Desacoplador del cárter	1	3
4	01.00043.000	Attrezzo per montaggio molle valvola	Valvespring fitting tool	Outil pour montage des ressorts de soupape	Montagewerkzeug für Ventilfedern	Utensilio para el montaje del muelle de la válvula	1	4
5	01.00044.000	Chiave per bloccaggio tamburino frizione	Inner clutch hub locking tool	Clé de fixation du tambour d'embrayage	Halteschlüssel für Kupplungsmitnehmer	Llave para el bloqueo del tambor del embrague	1	5
6	01.00045.000	Chiave regolazione carburatore	Carburettor adjusting spanner	Clef de réglagecarburateur	Schlüssel für Vergasereinstellung	Llave regulacióncarburador	1	6

