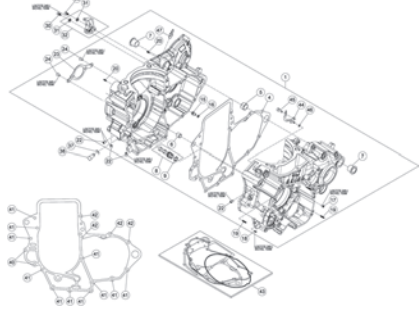

RR-S 4T ENDURO MY 2019
350/390/430/500cc

CATALOG OF SPARE PARTS



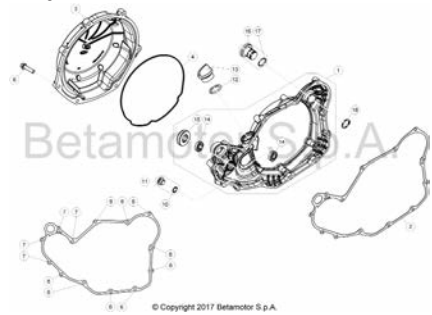
The images and content herein are the exclusive property of Betamotor SpA, which reserves all rights thereto. Any reproduction, modification, editing, dissemination, communication, exploitation in any form and way, original or derived, is strictly forbidden if not expressly approved in writing by Betamotor SpA. Any violation will be actively pursued in all relevant civil and criminal forums by Betamotor SpA.

TAV.01 Carter completo - Crankcase, assy - Carter complet - Kurbelwellengehäuse, KPL - Carter completo



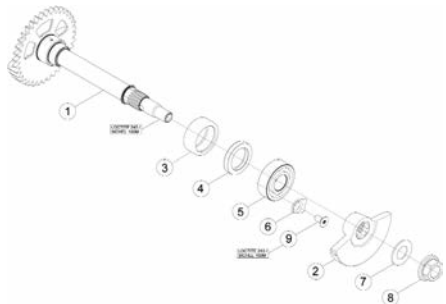
Pag. 6

TAV.01A Coperchio frizione - Clutch cover - Couvercle d'embrague - Kupplungsdeckel - Tapa embrague



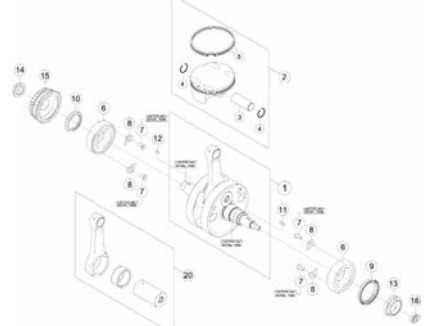
Pag. 8

TAV.02 Albero bilanciamento - Balancer Shaft - Arbre Equilibrage - Ausgleichswelle - Árbol Equilibrado



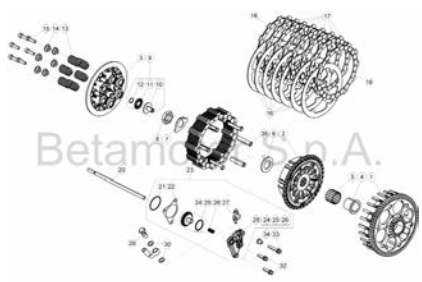
Pag. 9

TAV.02A Albero motore - Crankshaft - Vilebrequin - Kurbelwelle - Cigüeñal



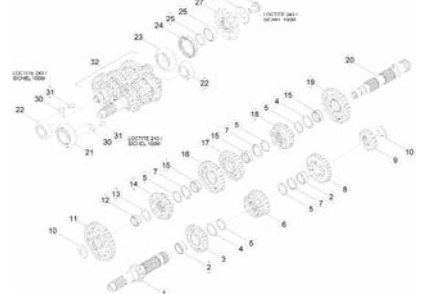
Pag. 10

TAV.03 Frizione - Clutch - Embrayage - Kupplung - Embrague



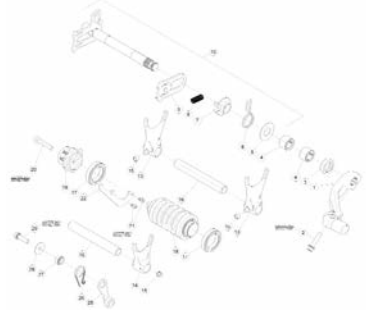
Pag. 12

TAV.04 Ingranaggi cambio - Gear group - Engrenages changement de vitesses - Schaltgetriebe - Engranaje del cambio



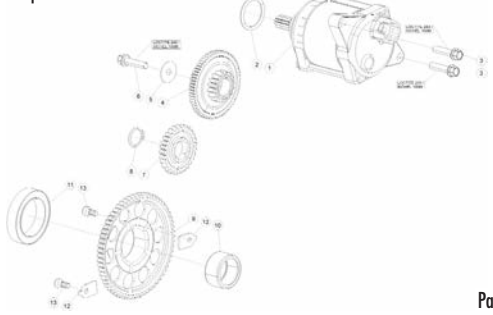
Pag. 14

TAV.05 Comando cambio - Gear shift control - Commande changement de vitesse - Chaltung - Mando cambio



Pag. 16

TAV.07 Avviamento elettrico - Electric starter - Dé marrage électrique - Elektrischer start - Arranque eléctrico



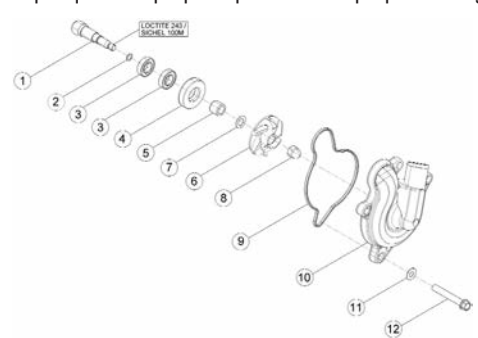
Pag. 17

TAV.08 Impianto di lubrificazione - Lubrication system - Système de lubrification - Schmieranlage - Sistema de lubricación



Pag. 18

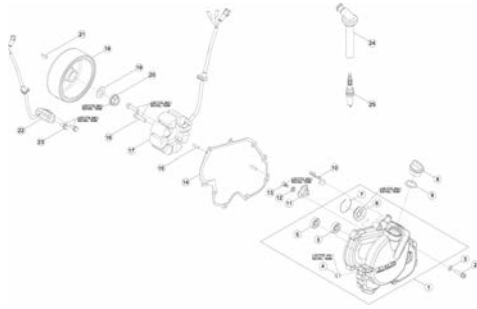
TAV.09 Pompa acqua - Water pump - Pompe a eau - Wasserpumpe - Bomba agua



Pag. 20

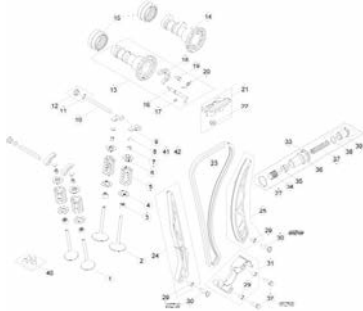


TAV.10 Gruppo accensione elettronica - Electronic ignition assy. - Groupe allumage électronique - Elektronischezündung gruppe - Grupo encendido electrónico



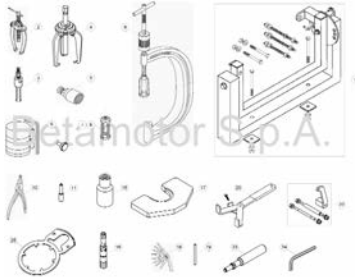
Pag. 21

TAV.11A Valvole-Catena distribuzione - Valves-Timing chain - Soupapes-Chaî ne de distribution - Ventil-Steuerkette - Válvulas-Cadena de distribución



Pag. 24

TAV.14 Attrezzatura specifica - Special tools - Outillage spécial - Spezialwerkzeug - Utillaje específico



Pag. 30

TAV.32 Accessori telaio - Frame accessories - Accessoires chassis - Rahmenzubehör - Accesorios Chasis



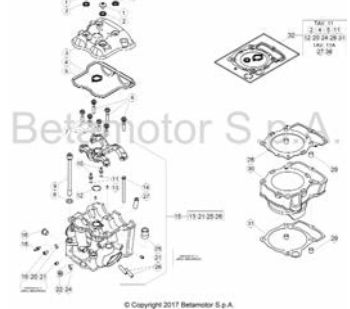
Pag. 34

TAV.33B Forcellone posteriore - Rear fork - Fourche arrière - Hinterradschwinge - Horquilla posterior



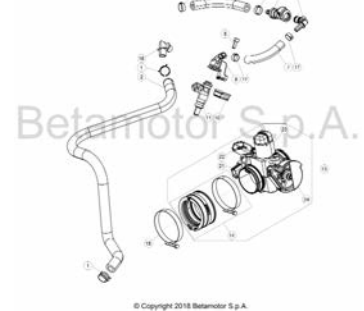
Pag. 38

TAV.11 Cilindro completo - Cylinder, assy - Cylindre complet - Zylinder, KPL. - Cilindro completo



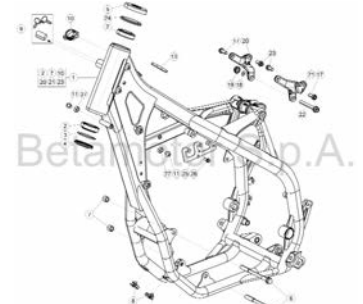
Pag. 22

TAV.13 Gruppo iniezione - Injection unit - Groupe injection - Einspritzung - Grupo iniección



Pag. 28

TAV.31 Telaio - Frame - Chassis - Rahmen - Chasis



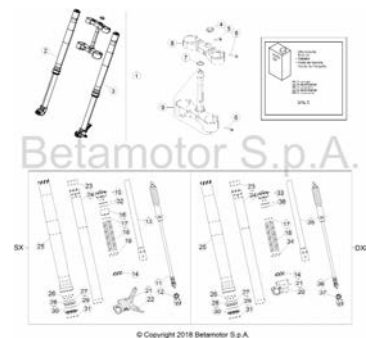
Pag. 32

TAV.33A Ammortizzatore posteriore - Rear damper - Amortisseur arrière - Hinterer Stoßdämpfer - Amortiguador posterior



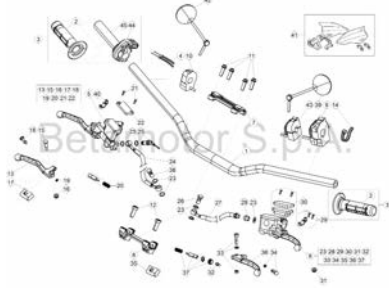
Pag. 36

TAV.34 Forcella anteriore - Front fork - Fourche AV. - Vorderradgabel - Horquilla delantera



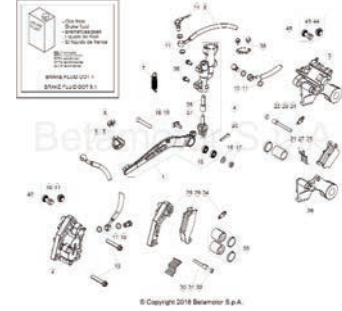
Pag. 40

TAV.35 Comandi-Manubrio - Controls-Handlebars - Commandes-Guidon - Bedienungselemente-Lenker - Mandos-Manillar



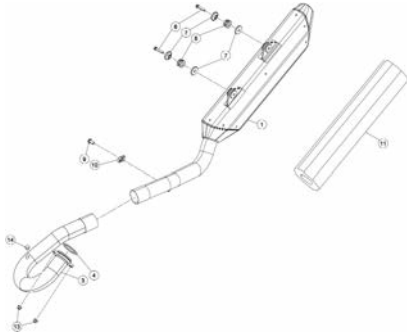
Pag. 42

TAV.36 Impianto freni idraulici - Hydraulic brakes system - Installation des freins hydrauliques - Hidraulischebremse anlage - Instalació n freno hidráulico



Pag. 44

TAV.37 Gruppo scarico - Exhaust system - Echappement - Auspuffanlage - Grupo escape



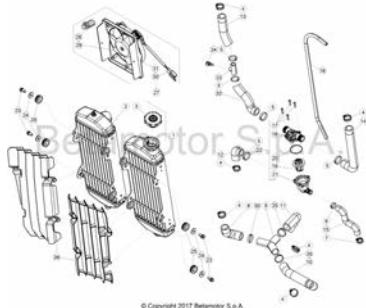
Pag. 46

TAV.38 Scatola filtro - Filter box - Boi tier du filtre - Sicherungskasten - Caja del filtro



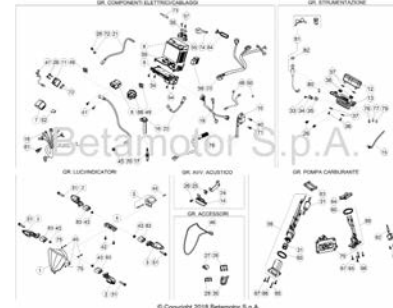
Pag. 47

TAV.39 Impianto di raffreddamento - Installation de refroidissement - Installation de refroidissement - Kühlsystem - Instalació n de enfriamiento



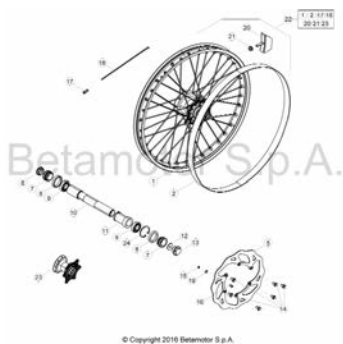
Pag. 48

TAV.40 Impianto elettrico - Electrical equipment - Installation électrique - Elektrische anlage - Instalació n electrica



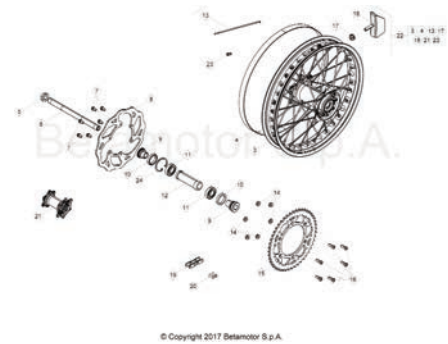
Pag. 50

TAV.41 Ruota anteriore - Front wheel - Roue AV. - Vorderrad - Rueda delantera



Pag. 54

TAV.42 Ruota posteriore - Rear wheel - Roue AR. - Hinterrad - Rueda trasera



Pag. 56

TAV.43 Carenature-Serbatoio-Sella - Fairings-Tank-Saddle - Carenages-Reservoir-Selle - Verkleidungen-Tank-Sattel - Carenados-Deposito-Sillí n



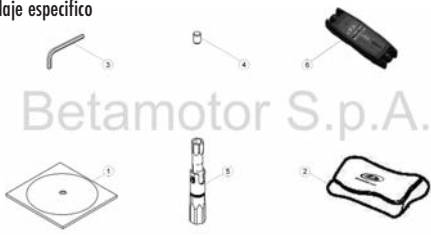
Pag. 58

TAV.43A Carenature-Parafanghi - Mudguards - Carenages-Gardeboues - Verkleidungen-Kotflü geln - Carenados-Guardabarros



Pag. 60

TAV.44 Attrezzatura specifica - Special tools - Outillage spéciale - Spezialwerkzeug -
Utillaje específico



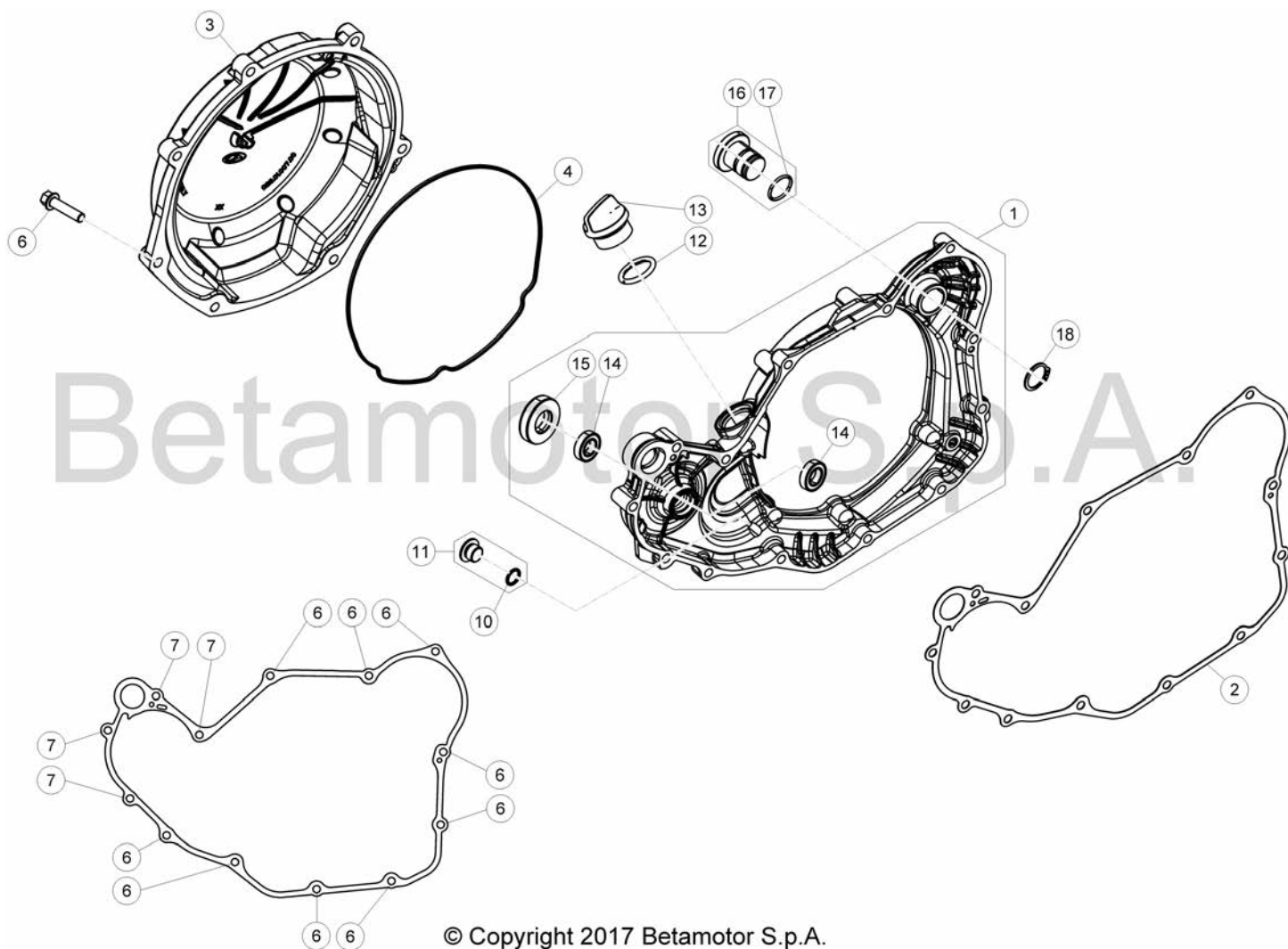
Betamotor S.p.A.

© Copyright 2016 Betamotor S.p.A.

Pag. 62

Tav.01

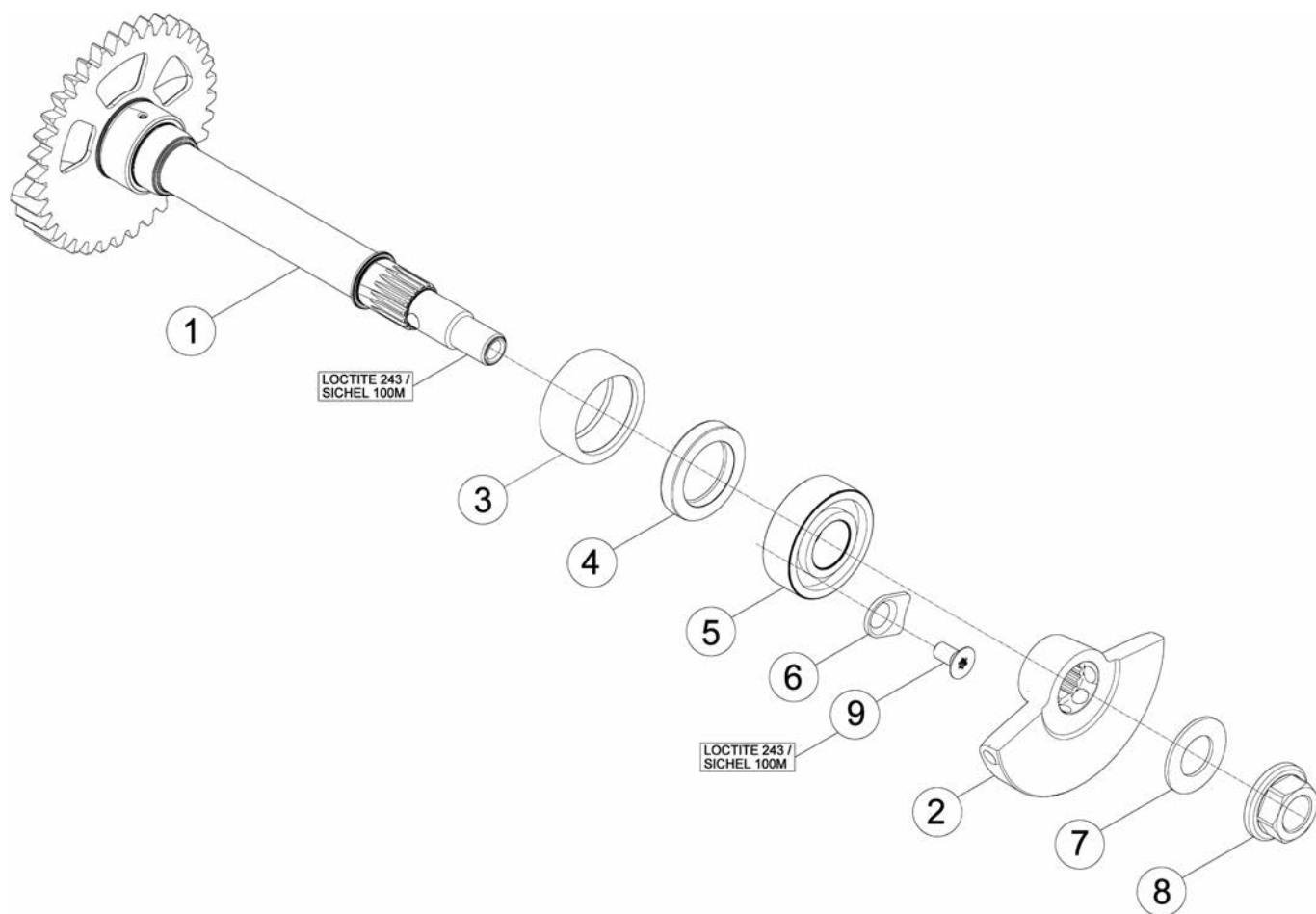
| Pos Loc Pos Ps Pos | Numero Number Numéro Número Nummer | Q.tà Q.ty Q.té M.ge C.ad | Nota Note Note Nota Anm. | Descrizione | Description | Dé signation | Beschreibung | Descrìpziò n |
|--------------------------------|--|--------------------------------------|--------------------------------------|---------------------------------|-------------------------------|----------------------------------|---|----------------------------------|
| 1 | 027.01.000.80.00 | 1 | 350-390cc | Carter motore completo | Crankcase assy. | Carter moteru complet | Kurbelgehäuse, kompl. | Carter motor completo |
| 1 | 029.01.000.80.00 | 1 | 430-500cc | Carter motore completo | Crankcase assy. | Carter moteru complet | Kurbelgehäuse, kompl. | Carter motor completo |
| 4 | 029.01.003.00.00 | 1 | | Guarnizione Carter Motore | Crankcase Gasket | Joint Carter Moteur 4t | Motorgehäuse Dichtung | Junta Carter Motor |
| 5 | 006.01.012.00.00 | 1 | | Grano di riferimento 17x21.12 | Dowel 17x21.12 | Repère 17x21.12 | Passtift 17x21.12 | Centraje 17x21.12 |
| 6 | 16.41500.000 | 1 | | Grano di riferimento | Dowel | Repère | Passtift | Centraje |
| 7 | 006.01.011.00.00 | 2 | | Boccola 17X21X19 | Bush 17X21X19 | Moyeu 17X21X19 | Büchse 17X21X19 | Buje 17X21X19 |
| 8 | 006.08.053.80.00 | 1 | | Filtro olio | Oil filter | Filtre à huile | Ölfilter | Filtro de aceite |
| 9 | 10.50010.000 | 1 | | Anello OR 8x1,5x | O-Ring 8x1,5x | Bague d' é tanché ité 8x1,5x | O-Ring 8x1,5x | Anillo OR 8x1,5x |
| 15 | 029.01.024.80.00 | 1 | | Getto olio completo | Cooling oil jet, assy | Gicleur huile de refr. | Öldüse | Surtidor aceite de enfr. |
| 16 | 10.66139.000 | 1 | | Anello OR 6 x 1,5 | O-Ring 6 x 1,5 | Bague d' é tanché ité 6 x 1,5 | O-Ring 6 x 1,5 | Anillo OR 6 x 1,5 |
| 17 | 16.42903.000 | 1 | | Getto lubrificazione 100 | Lubrication jet 100 | Gliceur lubrification 100 | Düse Schmierung 100 | Surtidor lubricación 100 |
| 18 | 16.42904.000 | 1 | | Getto lubrificazione carter 100 | Lubrication jet crankcase 100 | Gliceur lubrification carter 100 | Düse Schmierung Kurbelwellengehä use 100 | Surtidor lubricación cá rter 100 |
| 19 | 12.93384.000 | 2 | | Rullino 4x15,8 | Roller 4x15,8 | Rouleau 4x15,8 | Rolle 4x15,8 | Rodillo 4x15,8 |
| 20 | 36.25021.000 | 2 | | Rullino 4,0 X 9,8 | Roller 4,0 X 9,8 | Rouleau 4,0 X 9,8 | Rolle 4,0 X 9,8 | Rodillo 4,0 X 9,8 |
| 22 | 006.01.021.00.00 | 4 | | Tappo olio ad espansione 7X9 | Oil expansion plug 7X9 | Bouchon d' huile à expansion 7X9 | Öl-expansionsstopfen 7X9 | Tapón extensible del aceite 7X9 |
| 23 | 006.01.018.00.09 | 1 | | Piastrina | Plate | Plaquette | Plättchen | Placa |
| 24 | 31.30085.000 | 2 | | Vite M5X10 | Screw M5X10 | Vis M5X10 | Schraube M5X10 | Tornillo M5X10 |
| 30 | C24.24.045.00.00 | 2 | | Vite a brugola TCCE 5x10 | Allen screw TCCE 5x10 | Vis à 6 pans TCCE 5x10 | Sechskantschraube TCCE 5x10 | Tornillo a llave allen TCCE 5x10 |
| 31 | 006.08.081.00.00 | 2 | | Boccola | Bush | Moyeu | Büchse | Buje |
| 32 | 022.08.080.80.00 | 1 | | Rampa olio | Oil incline | Rampe huile | Ölrampe | Diffusor aceite |
| 37 | 029.01.026.00.00 | 1 | | Rondella in rame 8x14.5 | Copper washer 8x14.5 | Rondelle en cuivre 8x14.5 | Kupfer U.Scheibe 8x14.5 | Arandela de cobre 8x14.5 |
| 38 | 029.01.025.00.00 | 1 | | Vite speciale PMS | Special screw TDC | Vis spéciale PMS | Spezialschraube OT | Tornillo especial PMS |
| 40 | 11.50300.000 | 2 | | Bullone M6x30 RSCH8 | Bolt M6x30 RSCH8 | Boulon M6x30 RSCH8 | Bolzen M6x30 RSCH8 | Tornillo M6x30 RSCH8 |
| 41 | 11.05485.000 | 11 | | Bullone M6x60 RSCH8 | Bolt M6x60 RSCH8 | Boulon M6x60 RSCH8 | Bolzen M6x60 RSCH8 | Tornillo M6x60 RSCH8 |
| 42 | C24.31.041.00.00 | 4 | | Bullone M6x70 RSCH8 | Bolt M6x70 RSCH8 | Boulon M6x70 RSCH8 | Bolzen M6x70 RSCH8 | Tornillo M6x70 RSCH8 |
| 43 | 029.01.005.82.00 | 1 | | Kit guarnizioni carter | Crankcase gasket kit | Kit des joints carter | Motorgehäuse-Bausatz | Kit de juntas carter |
| 44 | 029.01.021.00.00 | 1 | | Getto olio raffreddamento | Cooling oil jet | Gliceur huile de refr. | Öldüse | Surtidor aceite de enfr. |
| 45 | 31.26790.000 | 1 | | Vite a brugola M4x10 | Allen screw M4x10 | Vis à 6 pans M4x10 | Sechskantschraube M4x10 | Tornillo a llave allen M4x10 |
| 46 | C02.06.054.00.00 | 1 | | Anello OR 3,5x1,5 | O-Ring 3,5x1,5 | Bague d' é tanché ité 3,5x1,5 | O-Ring 3,5x1,5 | Anillo OR 3,5x1,5 |
| 47 | 29.00280.000 | 1 | | Raccordo | Joint | Raccord | Stutzen | Racor |



© Copyright 2017 Betamotor S.p.A.

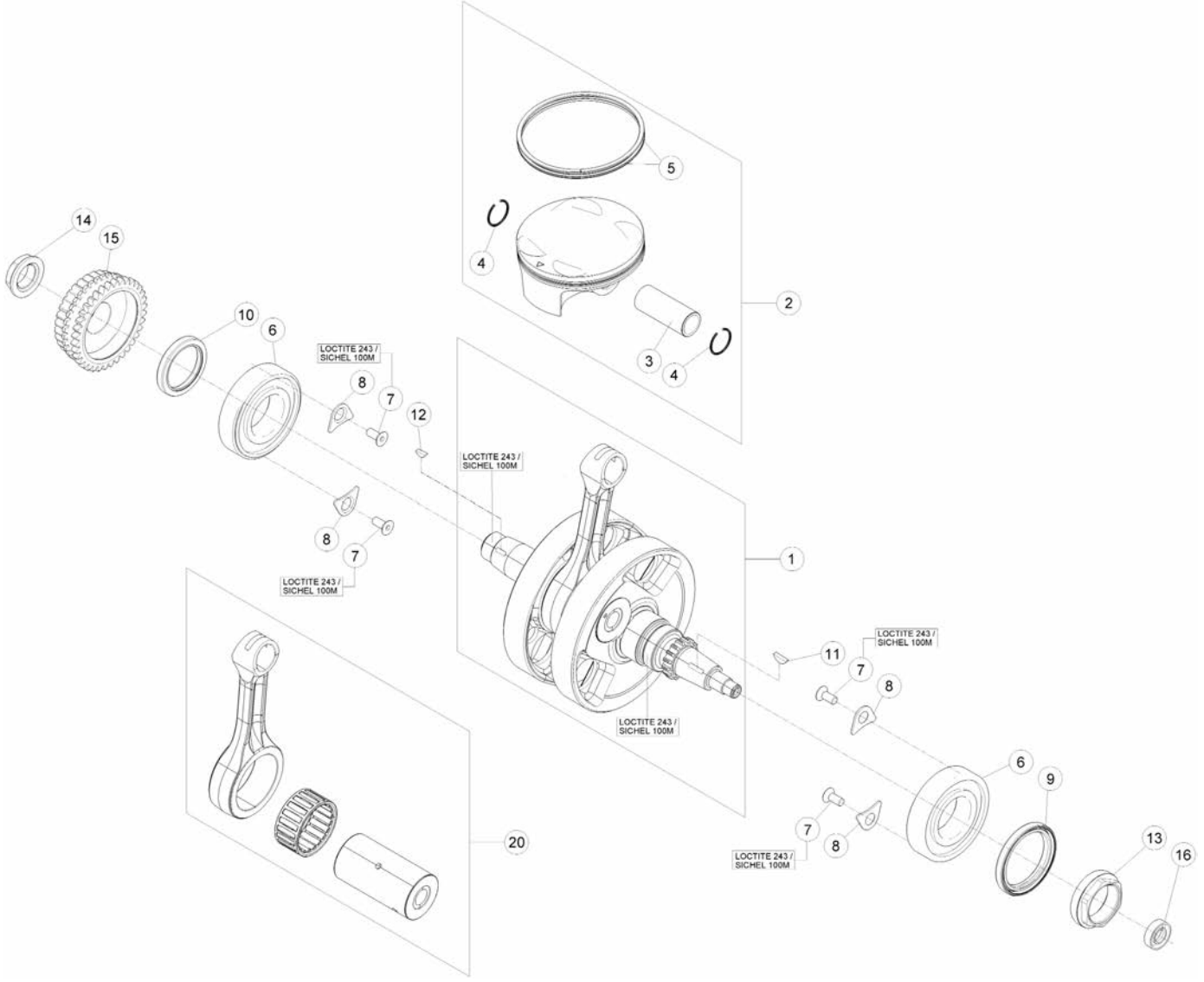
| Pos Loc Pos Ps Pos | Numero Number Numéro Número Nummer | Q.tà Q.ty Q.té M.ge C.ad | Nota Note Note Nota Anm. | Descrizione | Description | Dé signation | Beschreibung | Descripció n |
|--------------------------------|--|--------------------------------------|--------------------------------------|---------------------------------|-----------------------|-------------------------------------|-----------------------------|---------------------------|
| 1 | 029.01.030.80.00 | 1 | | Coperchio frizione interno | Inner clutch cover | Couvercle interne d'embrayage | Innerer Kupplungsdeckel | Tapa interior embrague |
| 2 | 029.01.031.00.00 | 1 | | Guarnizione coperchio frizione | Clutch cover gasket | Joint couvercle embrayage | Dichtung Kupplungsabdeckung | Junta tapa embrague |
| 3 | 029.01.007.80.52 | 1 | | Coperchio frizione esterno | Outer clutch cover | Couvercle externe d'embrayage | Äußerer Kupplungsdeckel | Tapa exterior embrague |
| 4 | 006.01.041.00.00 | 1 | | Guarnizione coperchio frizione | Clutch cover gasket | Joint couvercle embrayage | Dichtung Kupplungsabdeckung | Junta tapa embrague |
| 6 | 11.50010.000 | 16 | | Bullone M6x25 | Bolt M6x25 | Boulon M6x25 | Bolzen M6x25 | Tornillo M6x25 |
| 7 | 11.50360.000 | 4 | | Bullone M6x40 | Bolt M6x40 | Boulon M6x40 | Bolzen M6x40 | Tornillo M6x40 |
| 10 | 10.50010.000 | 1 | | Anello OR 8x1,5x | O-Ring 8x1,5x | Bague d'étanchéité 8x1,5x | O-Ring 8x1,5x | Anillo OR 8x1,5x |
| 11 | 006.11.045.80.00 | 1 | | Tappo Albero coperchio frizione | Clutch cover Arm Plug | Bouchon Arbre Couvercle d'embrayage | Endkappe Kupplungsdeckel | Tapa Ciguena embrague |
| 12 | 10.66340.000 | 1 | | Anello OR 16x3 | O-Ring 16x3 | Bague d'étanchéité 16x3 | O-Ring 16x3 | Anillo OR 16x3 |
| 13 | 29.09601.000 | 1 | | Tappo carico olio | Oil filling cap | Bouchon rempl. huile | Öleinfüllstüpsel | Tapón introducción aceite |
| 14 | 12.93400.000 | 2 | | Cuscinetto 10x19.5 | Bearing 10x19.5 | Roulement 10x19.5 | Lager 10x19.5 | Cojinete 10x19.5 |
| 15 | 10.48030.000 | 1 | | Anello paraolio 12x30.7 | Oil seal 12x30.7 | Joint d'étanchéité 12x30.7 | Ölschutzring 12x30.7 | Retén de aceite 12x30.7 |
| 16 | 036.01.006.80.59 | 1 | | Tappo completo | Plug, assy. | Bouchon complet | Verschluß kpl. | Tapón completo |
| 17 | 10.66321.000 | 1 | | Anello OR | O-Ring | Bague d'étanchéité | O-Ring | Anillo OR |
| 18 | 33.00070.000 | 1 | | Seeger | Circlip | Circlip | Seeger | Seeger |

Tav.02



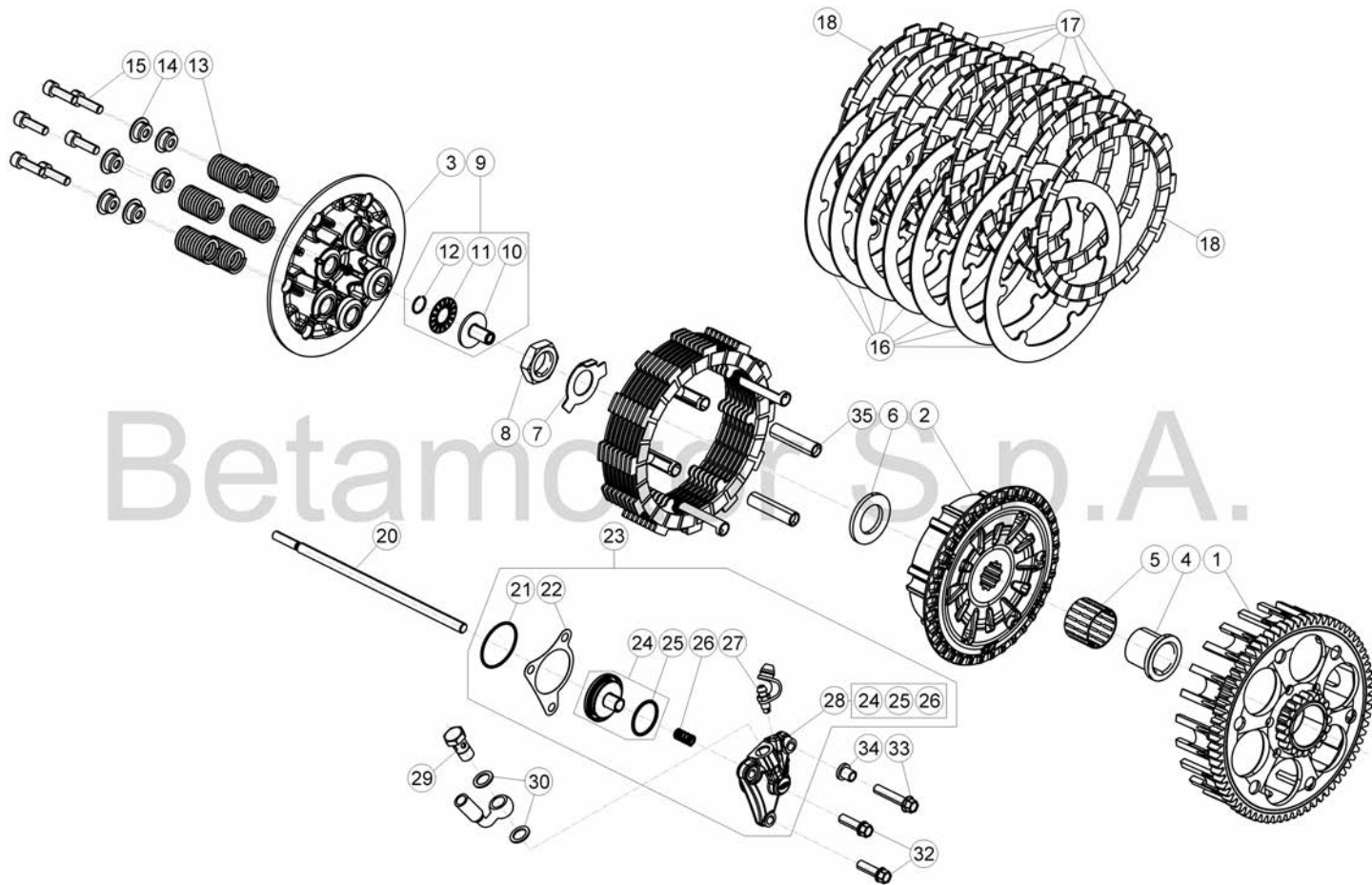
| Pos Loc Pos Ps Pos | Numero Number Numéro Número Nummer | Q.tà Q.ty Q.té M.ge C.ad | Nota Note Note Nota Anm. | Descrizione | Description | Dé signation | Beschreibung | Descrìpiòn |
|--------------------------------|--|--------------------------------------|--------------------------------------|------------------------------------|------------------------------|-----------------------------------|----------------------------|-------------------------------|
| 1 | 029.02.020.00.00 | 1 | | Albero bilanciamento | Balancer Shaft | Arbre Equilibrage | Ausgleichswelle | Árbol Equilibrado |
| 2 | 029.02.021.00.00 | 1 | | Contrappeso | Counter weight | Contrepoids | Gegengewicht | Contrapeso |
| 3 | C06.14.019.00.00 | 1 | | Boccola a rulli | Roller bearing | Douille à roulements | Rollenbuchse | Caja de grasa de rodillos |
| 4 | 10.64490.000 | 1 | | Anello paraolio 20x30.5/6 | Oil seal 20x30.5/6 | Joint d' é tanché ité 20x30.5/6 | Ölschutzring 20x30.5/6 | Retén de aceite 20x30.5/6 |
| 5 | C06.01.034.00.00 | 1 | | Cuscinetto 15.32.9 6002LLUC3/5K | Bearing 15.32.9 6002LLUC3/5K | Roulement 15.32.9 6002LLUC3/5K | Lager 15.32.9 6002LLUC3/5K | Cojinete 15.32.9 6002LLUC3/5K |
| 6 | 006.01.016.00.00 | 1 | | Piastrina | Plate | Plaquette | Plättchen | Placa |
| 7 | 27.74810.000 | 1 | | Rondella elastica | Spring Washer | Rondelle é lastique | Federring | Arandela elástica |
| 8 | 13.25010.000 | 1 | | Dado M12x1 | Nut M12x1 | Ecrou M12x1 | Mutter M12x1 | Tuerca M12x1 |
| 9 | C24.90.002.00.00 | 1 | | Vite TORX M6x12 | Screw TORX M6x12 | Vis TORX M6x12 | Schraube TORX M6x12 | Tornillo TORX M6x12 |

Tav.02A



| Pos Loc Ps Pos | Numero Number Numé ro Nú mero Nummer | Q.tà Q.ty Q.té M.ge C.ad | Nota Note Note Nota Anm. | Descrizione | Description | Dé signation | Beschreibung | Descrì cì o n |
|----------------|--------------------------------------|--------------------------|--------------------------|-------------------------|-------------------------|-------------------------------|-----------------------------|--------------------------|
| 1 | 027.02.005.80.00 | 1 | 350cc | Albero motore completo | Crankshaft, assy. | Arbre moteur complet | kurbelwelle, komplett | Cigü eñ al completo |
| 1 | 028.02.003.80.00 | 1 | 390cc | Albero motore completo | Crankshaft, assy. | Arbre moteur complet | kurbelwelle, komplett | Cigü eñ al completo |
| 1 | 029.02.000.80.00 | 1 | 430-500cc | Albero motore completo | Crankshaft, assy. | Arbre moteur complet | kurbelwelle, komplett | Cigü eñ al completo |
| 2 | 027.02.151.80.01 | 1 | 350cc | Pistone d.88-1M | Piston d.88-1M | Piston d.88-1M | Kolben, d.88-1M | Pistó n, d.88-1M |
| 2 | 027.02.151.80.02 | 1 | 350cc | Pistone d.88-2M | Piston d.88-2M | Piston d.88-2M | Kolben, d.88-2M | Pistó n, d.88-2M |
| 2 | 028.02.151.80.01 | 1 | 390cc | Pistone d.88-1M | Piston d.88-1M | Piston d.88-1M | Kolben, d.88-1M | Pistó n, d.88-1M |
| 2 | 028.02.151.80.02 | 1 | 390cc | Pistone d.88-2M | Piston d.88-2M | Piston d.88-2M | Kolben, d.88-2M | Pistó n, d.88-2M |
| 2 | 029.02.050.80.01 | 1 | 430cc | Pistone completo 1M | Piston set 1M | Piston compl. 1M | Kolben, kompl. 1M | Pistó n, compl. 1M |
| 2 | 029.02.050.80.02 | 1 | 430cc | Pistone completo 2M | Piston set 2M | Piston compl. 2M | Kolben, kompl. 2M | Pistó n, compl. 2M |
| 2 | 030.02.050.80.01 | 1 | 500cc | Pistone completo 1M | Piston set 1M | Piston compl. 1M | Kolben, kompl. 1M | Pistó n, compl. 1M |
| 2 | 030.02.050.80.02 | 1 | 500cc | Pistone completo 2M | Piston set 2M | Piston compl. 2M | Kolben, kompl. 2M | Pistó n, compl. 2M |
| 3 | 027.02.051.00.00 | 1 | 350-390cc | Spinotto | Pin | Axe | Zapfen | Eje |
| 3 | 029.02.051.00.00 | 1 | 430-500cc | Spinotto | Pin | Axe | Zapfen | Eje |
| 4 | 022.02.052.00.00 | 2 | 350-390cc | Anello ferma spinotto | Piston pin lock ring | Bague de serrage goujon | Bolzenfeststellung | Anillo sujeta pasador |
| 4 | 029.02.052.00.00 | 2 | 430-500cc | Anello ferma spinotto | Piston pin lock ring | Bague de serrage goujon | Bolzenfeststellung | Anillo sujeta pasador |
| 5 | 027.02.011.82.00 | 1 | 350-390cc | Segmento d=88 - kit | Piston ring d=88 - kit | Segment de piston d=88 - jeu | Kolbendichtring d=88 - Kit | Aro piston d=88 - kit |
| 5 | 029.02.053.80.00 | 1 | 430cc | Segmento d=95 - kit | Piston ring d=95 - kit | Segment de piston d=95 - jeu | Kolbendichtring d=95 - Kit | Aro piston d=95 - kit |
| 5 | 006.02.153.80.00 | 1 | 500cc | Segmento d=100 - kit | Piston ring d=100 - kit | Segment de piston d=100 - jeu | Kolbendichtring d=100 - Kit | Aro piston d=100 - kit |
| 6 | 12.99700.000 | 2 | | Cuscinetto 35x72 | Bearing 35x72 | Roulement 35x72 | Lager 35x72 | Cojinete 35x72 |
| 7 | C24.90.002.00.00 | 4 | | Vite TORX M6x12 | Screw TORX M6x12 | Vis TORX M6x12 | Schraube TORX M6x12 | Tornillo TORX M6x12 |
| 8 | 006.01.016.00.00 | 4 | | Piastrina | Plate | Plaquette | Plättchen | Placa |
| 9 | 10.66085.000 | 1 | | Anello paraolio 45x58.7 | Oil seal 45x58.7 | Joint d' é tanché ité 45x58.7 | Ölschutzring 45x58.7 | Reté n de aceite 45x58.7 |
| 10 | 10.65900.000 | 1 | | Anello paraolio 35x47.6 | Oil seal 35x47.6 | Joint d' é tanché ité 35x47.6 | Ölschutzring 35x47.6 | Reté n de aceite 35x47.6 |
| 11 | 12.46020.000 | 1 | | Chiavetta 3x5 | Key 3x5 | Clavette 3x5 | Keil 3x5 | Chaveta 3x5 |
| 12 | 12.46000.000 | 1 | | Chiavetta | Key | Clavette | Keil | Chaveta |
| 13 | 022.02.011.00.00 | 1 | | Dado M32X1 | Nut M32X1 | Ecrou M32X1 | Mutter M32X1 | Tuerca M32X1 |
| 14 | 006.03.023.00.00 | 1 | | Dado M20X1x5 LH | Nut M20X1x5 LH | Ecrou M20X1x5 LH | Mutter M20X1x5 LH | Tuerca M20X1x5 LH |
| 15 | 022.03.021.80.00 | 1 | 350-390cc | Pignone | Pinion | Pignon | Ritzel | Piñ ó n |
| 15 | 006.03.121.80.00 | 1 | 430-500cc | Pignone | Pinion | Pignon | Ritzel | Piñ ó n |
| 16 | 10.44690.000 | 1 | | Anello paraolio 10x22.6 | Oil seal 10x22.6 | Joint d' é tanché ité 10x22.6 | Ölschutzring 10x22.6 | Reté n de aceite 10x22.6 |
| 20 | 027.02.008.80.00 | 1 | 350-390cc | Biella completa | Conn.-rod, assy | Bielle compl. | Pleuel, kompl. | Biela compl. |
| 20 | 029.02.008.80.00 | 1 | 430-500cc | Biella completa | Conn.-rod, assy | Bielle compl. | Pleuel, kompl. | Biela compl. |

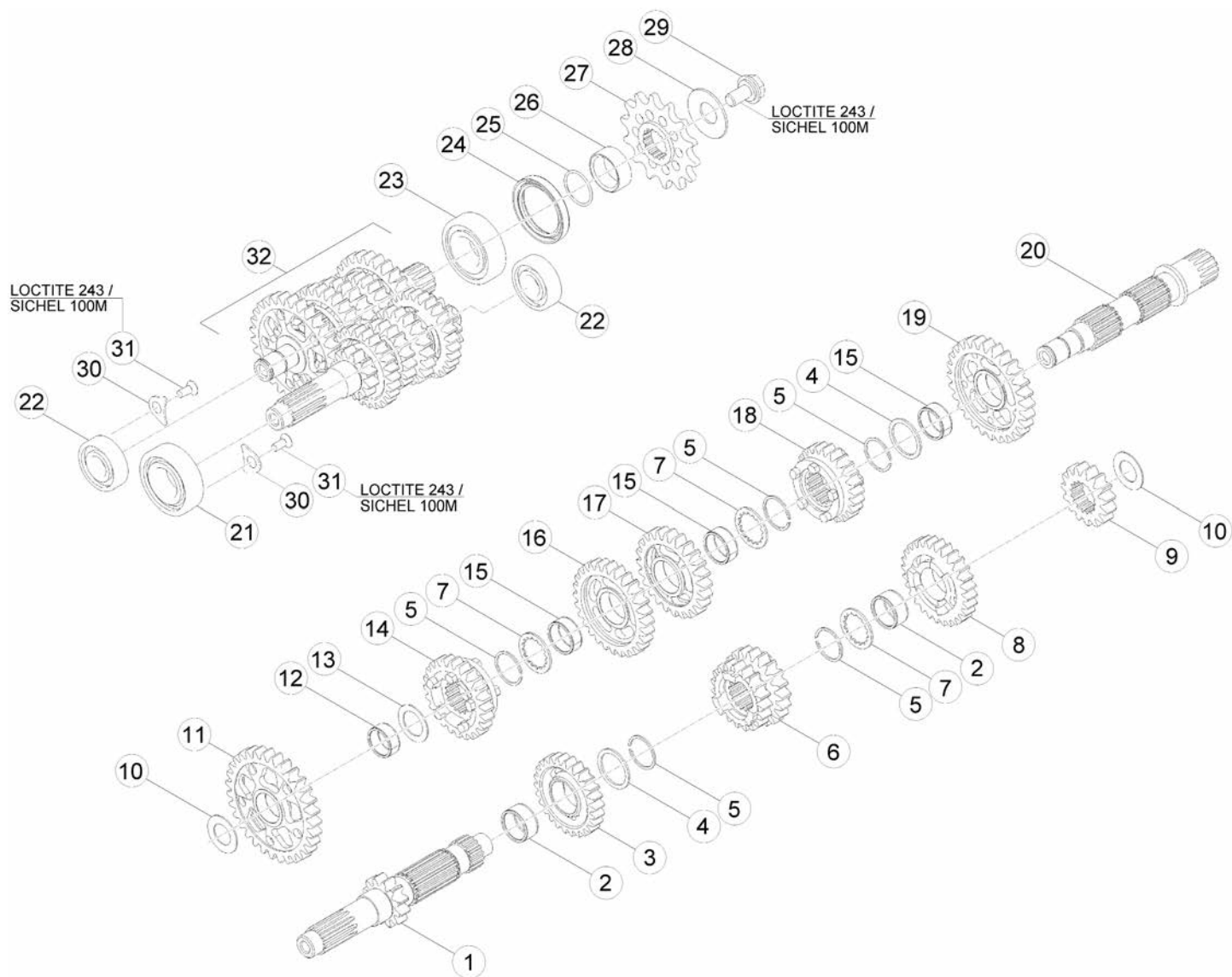
Tav.03



© Copyright 2017 Betamotor S.p.A.

Tav.03

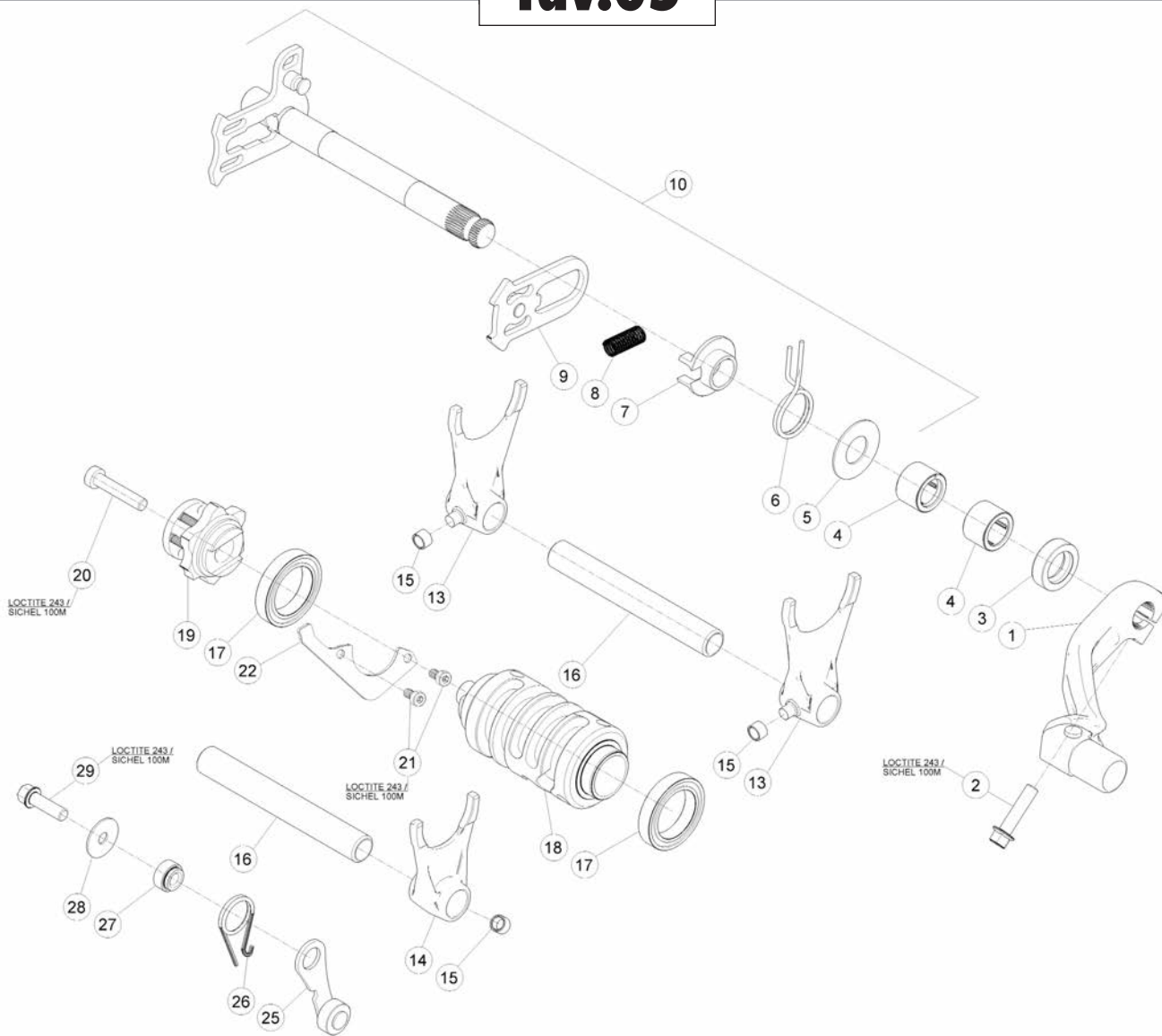
| Pos Loc Pos Ps Pos | Numero Number Numéro Nummer | Q.tà Q.ty Q.té M.ge C.ad | Nota Note Note Nota Anm. | Descrizione | Description | Dé signation | Beschreibung | Descrìpziò n |
|--------------------|-----------------------------|--------------------------|--------------------------|------------------------------------|-----------------------------------|------------------------------------|---------------------------------------|--------------------------------------|
| 1 | 027.03.011.00.00 | 1 | 350-390cc | Corona trasmissione primaria | Clutch case assembly | Cloche d'embrayage compl. | Kupplungsglocke. | Campana de embr.completa |
| 1 | 029.03.011.00.00 | 1 | 430-500cc | Corona trasmissione primaria | Clutch case assembly | Cloche d'embrayage compl. | Kupplungsglocke. | Campana de embr.completa |
| 2 | 029.03.141.00.00 | 1 | | Mozzo frizione | Clutch drum | Tambour d'embr. | Kupplungstrommel | Tambor de embr. |
| 3 | 029.03.031.00.00 | 1 | | Piattello spingidisco | Spring collar | Godet d'embrayage | Druckteller | Platillo embrague |
| 4 | 006.03.061.00.00 | 1 | | Boccola | Bush | Moyeu | Büchse | Buje |
| 5 | 006.03.063.00.00 | 1 | | Boccola a rulli 26x30.22. | Roller bearing 26x30.22. | Douille à roulements 26x30.22. | Rollenbuchse 26x30.22. | Caja de grasa de rodillos 26x30.22. |
| 6 | 006.03.062.00.00 | 1 | | Rondella 21,7x38.3. | Washer 21,7x38.3. | Rondelle 21,7x38.3. | U.Scheibe 21,7x38.3. | Arandela 21,7x38.3. |
| 7 | 029.03.000.48.00 | 1 | | Rondella di sicurezza | Tab washer | Rondelle de sûreté | Sicherungs-Unterlegscheibe | Arandela de seguridad |
| 8 | 006.03.065.00.00 | 1 | | Dado M18x1,5 h9 | Nut M18x1,5 h9 | Ecrou M18x1,5 h9 | Mutter M18x1,5 h9 | Tuerca M18x1,5 h9 |
| 9 | 029.03.071.80.00 | 1 | | Innesto Asta Corpo Frizione comp. | Clutch Housing Rod Coupling, assy | Crabot Tige Corps Embrayage compl. | Stabeinkluppung Kupplungskörper, kpl. | Acople Varilla Cuerpo Embrague comp. |
| 10 | 029.03.071.00.00 | 1 | | Innesto Asta Corpo Frizione | Clutch Housing Rod Coupling | Crabot Tige Corps Embrayage | Stabeinkluppung Kupplungskörper | Acople Varilla Cuerpo Embrague |
| 11 | 16.11370.000 | 1 | | Gabbia reggispinta 15x28x2 | Thrust bearing cage 15x28x2 | Buté e à aiguilles 15x28x2 | Andruckkäfig 15x28x2 | Jaula cojinete de empuje 15x28x2 |
| 12 | 28.23105.000 | 1 | | Seeger RB14 DIN 7993 | Circlip RB14 DIN 7993 | Circlip RB14 DIN 7993 | Seeger RB14 DIN 7993 | Seeger RB14 DIN 7993 |
| 13 | 029.03.055.00.00 | 6 | | Molla frizione | Clutch spring | Ressort embr. | Kupplg.feder | Muelle embr. |
| 14 | 029.03.056.00.00 | 6 | | Reggimolla Frizione | Spring Retainer | Porte-Ressort Embrayage | Federteller | Portamuelle Embrague |
| 15 | 31.34510.000 | 6 | | Vite TCCE 6.20 | Screw TCCE 6.20 | Vis TCCE 6.20 | Schraube TCCE 6.20 | Tornillo TCCE 6.20 |
| 16 | 029.03.150.00.00 | 7 | | Disco condotto | Driven plate | Disque entraîné | Scheibe getrieben | Disco conducido |
| 17 | 029.03.053.00.00 | 6 | | Disco conduttore | Driving plate | Disque menant | Scheibe treibend | Disco conductor |
| 18 | 029.03.054.00.00 | 2 | | Disco conduttore | Driving plate | Disque menant | Scheibe treibend | Disco conductor |
| 20 | 006.03.070.00.00 | 1 | | Asta comando frizione | Clutch control rod | Tige de commande embrayage | Klupplungssteuerungsstab | Varilla mando embrague |
| 21 | 10.66840.000 | 1 | | Anello OR 33x1,5 | O-Ring 33x1,5 | Bague d'é tanché ité 33x1,5 | O-Ring 33x1,5 | Anillo OR 33x1,5 |
| 22 | 006.03.085.00.00 | 1 | | Guarnizione frizione | Clutch lining | Garniture embrayage | Kupplungsbelag | Forro de embrague |
| 23 | 029.03.001.80.00 | 1 | | Cilindro attuatore frizione | Clutch actuator cylinder | Cylindre actionneur embrayage | Zykubder Stellantrieb Kupplungs | Cilindro del actuator embrague |
| 24 | 006.03.281.80.00 | 1 | | Pistone attuatore innesto frizione | Clutch actuator piston | Piston actionneur embrayage | Kolben Stellantrieb Kupplungs | Pistón del actuator embrague |
| 25 | 10.66520.000 | 1 | | Anello OR 23,52X1,78 | O-Ring 23,52X1,78 | Bague d'é tanché ité 23,52X1,78 | O-Ring 23,52X1,78 | Anillo OR 23,52X1,78 |
| 26 | 006.03.083.00.00 | 1 | | Molla | Spring | Ressort | Feder | Muelle |
| 27 | 28.91050.000 | 1 | | Tappo sfiato | Breather plug | Bouchon reniflard | Verschluß Entlüfter | Tapón respiradero |
| 28 | 029.03.001.00.00 | 1 | | Cilindro attuatore frizione | Clutch actuator cylinder | Cylindre actionneur embrayage | Zykubder Stellantrieb Kupplungs | Cilindro del actuator embrague |
| 29 | 11.65040.000 | 1 | | Bullone forato 10x1 x tubo freno | Special bolt | Boulon 10x1 x tube frein | Hohlschraube F.Bremse | Tornillo esp. talad.10.1 |
| 30 | 16.50510.000 | 2 | | Guarnizione 10x15x1 in rame | Gasket 10x15x1 copper | Joint 10x15x1 cuivre | Dichtung 10x15x1 Kupfer | Junta 10.15.1 (cobre) |
| 32 | 11.49070.000 | 2 | | Bullone 6x20 ch rs | Bolt 6x20 ch rs | Boulon 6x20 ch rs | Bolzen 6x20 ch rs | Tornillo 6x20 ch rs |
| 33 | 11.50355.000 | 1 | | Bullone 6x35 rs ch8 | Bolt 6x35 rs ch8 | Boulon 6x35 rs ch8 | Bolzen 6x35 rs ch8 | Tornillo 6x35 rs ch8 |
| 34 | 13.49190.000 | 1 | | Distanziale 10mm | Spacer 10mm | Entretoise 10mm | Distanzstück 10mm | Distanciadador 10mm |
| 35 | 029.03.107.00.00 | 6 | | Guida disco | Plate guide | Guide-disque | Scheibeführung | Gui a disco |



Tav.04

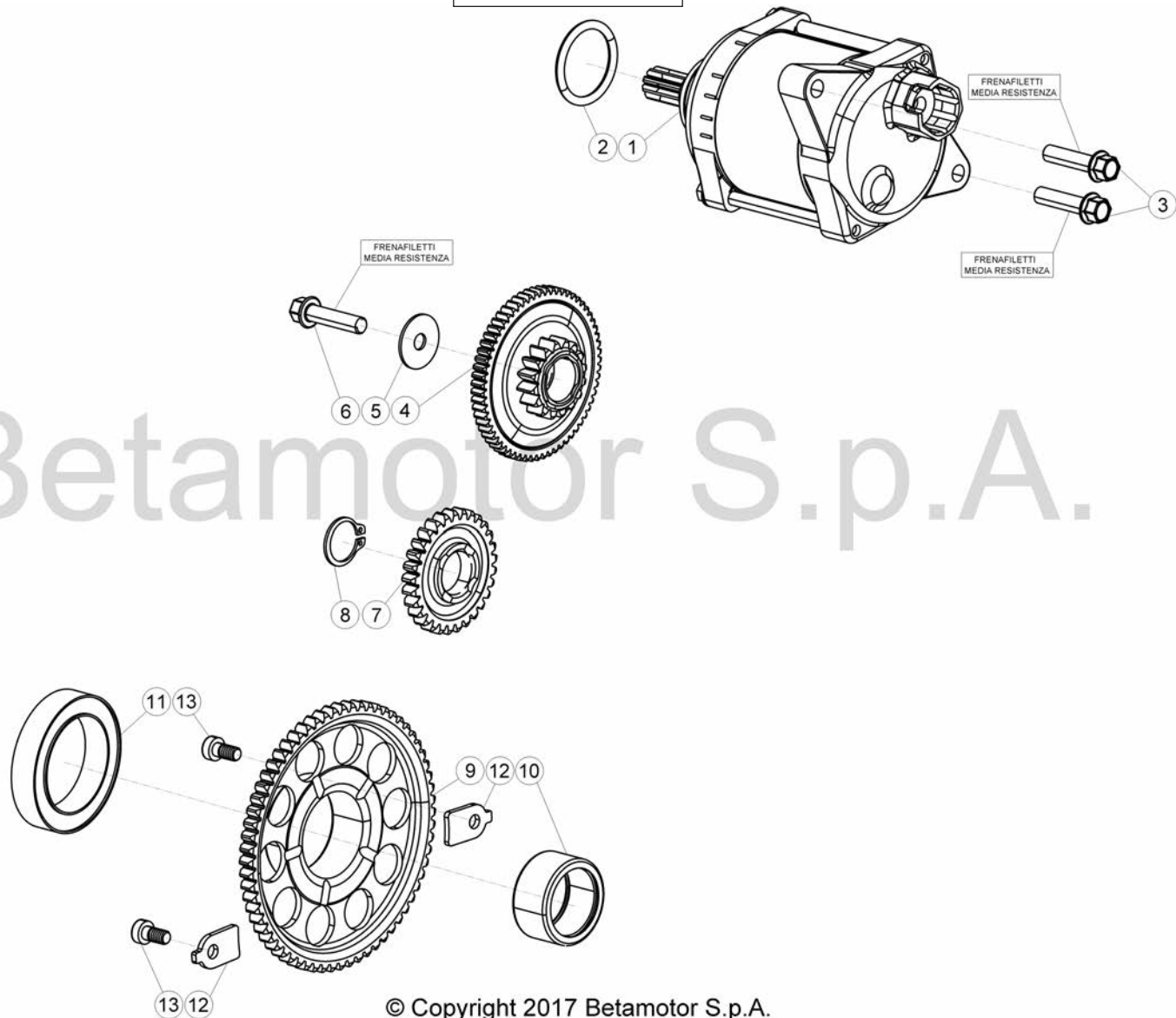
| Pos Loc Ps Pos | Numero Number Numé ro Número Nummer | Q.tà Q.ty Q.té M.ge C.ad | Nota Note Nota Anm. | Descrizione | Description | Dé signation | Beschreibung | Descrìpçì n |
|-------------------------|---|--------------------------------------|------------------------------|--------------------------------|-----------------------------------|--|---------------------------------------|---|
| 1 | 006.04.010.00.00 | 1 | | Albero primario | Mainshaft | Arbre primaire | Hauptwelle | Arbol primario |
| 2 | 11.22855.000 | 2 | | Gabbia a rulli 22x26x13 | Roller cage 22x26x13 | Cage a roul. 22x26x13 | Rollenkäfig 22x26x13 | Jaula de rod. 22x26x13 |
| 3 | 006.04.015.00.00 | 1 | | Quinta sul primario | Fifth gear - mainshaft | Cinquième sur le primaire | 5. Gang auf antriebswelle | Quinta marcha en el cigü eñ al primario |
| 4 | 006.04.031.00.00 | 2 | | Rondella rasamento | Thrust washer | Rondelle de butée | Anlaufscheibe | Arandela distanciadora |
| 5 | 28.25520.000 | 5 | | Seeger SW25 | Circlip SW25 | Circlip SW25 | Seeger SW25 | Seeger SW25 |
| 6 | 006.04.013.00.00 | 1 | | Terza e quarta sul primario | Third and fourth gear - mainshaft | Troisième et quatrième sur le primaire | 3. Gang und 4. Gang auf antriebswelle | Tercera y Cuarta marcha en el cigü eñ al primario |
| 7 | 006.04.030.00.00 | 3 | | Rondella rasamento | Thrust washer | Rondelle de butée | Anlaufscheibe | Arandela distanciadora |
| 8 | 006.04.016.00.00 | 1 | | Sesta sul primario | 6th gear - mainshaft | Sixième sur le primaire | 6. Gang auf antriebswelle | Sexta marcha en el cigü eñ al primario |
| 9 | 006.04.012.00.00 | 1 | | Seconda sul primario | Second gear - mainshaft | Deuxième sur le primaire | 2. Gang auf abtriebswelle | Segunda marcha en el cigü eñ al primario |
| 10 | 006.04.032.00.00 | 2 | | Rondella rasamento 17x30x1 | Thrust washer 17x30x1 | Rondelle de butée 17x30x1 | Anlaufscheibe 17x30x1 | Arandela distanciadora 17x30x1 |
| 11 | 006.04.021.00.00 | 1 | | Prima sul secondario | First gear - layshaft | Première sur le secondaire | 1. Gang auf Vorgelegewelle | Primera marcha en el cigü eñ al secundario |
| 12 | 11.22835.000 | 1 | | Gabbia a rulli 20x24x10 | Roller cage 20x24x10 | Cage a roul. 20x24x10 | Rollenkäfig 20x24x10 | Jaula de rod. 20x24x10 |
| 13 | 006.04.033.00.00 | 1 | | Rondella rasamento 20x30x1 | Thrust washer 20x30x1 | Rondelle de butée 20x30x1 | Anlaufscheibe 20x30x1 | Arandela distanciadora 20x30x1 |
| 14 | 006.04.025.00.00 | 1 | | Quinta sul secondario | Fifth gear - layshaft | Cinquième sur le secondaire | 5. Gang auf Vorgelegewelle | Quinta marcha en el cigü eñ al secundario |
| 15 | 11.22845.000 | 3 | | Gabbia a rulli 22x26x10 | Roller cage 22x26x10 | Cage a roul. 22x26x10 | Rollenkäfig 22x26x10 | Jaula de rod. 22x26x10 |
| 16 | 006.04.023.00.00 | 1 | | Terza sul secondario | Third gear - layshaft | Troisième sur le secondaire | 3. Gang auf Vorgelegewelle | Tercera marcha en el cigü eñ al secundario |
| 17 | 006.04.024.00.00 | 1 | | Quarta sul secondario | Fourth gear - layshaft | Quatrième sur le secondaire | 4. Gang auf Vorgelegewelle | Cuarta marcha en el cigü eñ al secundario |
| 18 | 006.04.026.00.00 | 1 | | Sesta sul secondario | 6th gear - layshaft | Sixième sur le secondaire | 6. Gang auf Vorgelegewelle | Sexta marcha en el cigü eñ al secundario |
| 19 | 006.04.022.00.00 | 1 | | Seconda sul secondario | Second gear - layshaft | Deuxième sur le secondaire | 2. Gang auf Vorgelegewelle | Segunda marcha en el cigü eñ al secundario |
| 20 | 006.04.040.00.00 | 1 | | Albero secondario | Counter shaft | Arbre secondaire | Nebengetriebewelle | Eje secundario |
| 21 | 12.95610.000 | 1 | | Cuscinetto 6205 | Bearing 6205 | Roulement 6205 | Lager 6205 | Cojinete 6205 |
| 22 | 12.95605.000 | 2 | | Cuscinetto 6203 | Bearing 6203 | Roulement 6203 | Lager 6203 | Cojinete 6203 |
| 23 | 12.99710.000 | 1 | | Cuscinetto NJ205 | Bearing NJ205 | Roulement NJ205 | Lager NJ205 | Cojinete NJ205 |
| 24 | 10.66020.000 | 1 | | Anello paraolio 32x45x6x5 | Oil seal 32x45x6x5 | Joint d' étanchéité 32x45x6x5 | Ölschutzring 32x45x6x5 | Retén de aceite 32x45x6x5 |
| 25 | 10.66620.000 | 1 | | Anello or 25,12x1,78 | O-Ring 25,12x1,78 | Bague d' étanchéité 25,12x1,78 | O-Ring 25,12x1,78 | Anillo OR 25,12x1,78 |
| 26 | 006.04.040.00.00 | 1 | | Distanziale | Spacer | Entretoise | Distanzstück | Distanciator |
| 27 | 006.04.050.00.00 | 1 | Z13 | Pignone | Pinion | Pignon | Ritzel | Piñón |
| 27 | 006.04.052.00.00 | 1 | Z15 | Pignone | Pinion | Pignon | Ritzel | Piñón |
| 28 | 006.04.041.00.00 | 1 | | Rondella | Washer | Rondelle | U.Scheibe | Arandela |
| 29 | 006.04.042.00.00 | 1 | | Vite M10x18 | Screw M10x18 | Vis M10x18 | Schraube M10x18 | Tornillo M10x18 |
| 30 | 006.01.016.00.00 | 2 | | Piastrina fissaggio cuscinetto | Fixing bearing plate | Plaque fixe roulement | Plättchen | Placa fij. cojinete |
| 31 | C24.90.002.00.00 | 2 | | Vite Torx M6x12 10.9/12.9 | Screw Torx M6x12 10.9/12.9 | Vis Torx M6x12 10.9/12.9 | Schraube Torx M6x12 10.9/12.9 | Tornillo Torx M6x12 10.9/12.9 |
| 32 | 006.04.000.80.00 | 1 | | Cambio completo | Transmission, assy | Boîte de vitesses | Getriebe komplett | Cambio completo |

Tav.05



| Pos Loc Pos Ps Pos | Numero Number Numéro Número Nummer | Q.tà Q.ty Q.té M.ge C.ad | Nota Note Note Nota Anm. | Descrizione | Description | Désignation | Beschreibung | Descripción |
|--------------------------------|--|--------------------------------------|--------------------------------------|--------------------------------|--------------------------|--------------------------------------|-----------------------------|----------------------------------|
| 1 | 006.05.000.80.00 | 1 | | Leva cambio | Gear change lever | Levier comm. chang. vit. | Schalthebel | Palanca cambio |
| 2 | 11.50010.000 | 1 | | Bullone M6x25 | Bolt M6x25 | Boulon M6x25 | Bolzen M6x25 | Tornillo M6x25 |
| 3 | 10.52012.000 | 1 | | Anello paraolio 14x24.6 | Oil seal 14x24.6 | Joint d' é tanché ité 14x24.6 | Ölschutzring 14x24.6 | Retén de aceite 14x24.6 |
| 4 | 11.22320.000 | 2 | | Boccola a rulli | Roller bearing | Douille à roulements | Rollenbuchse | Caja de grasa de rodillos |
| 5 | 27.63020.000 | 1 | | Rondella rasamento 14x30x1 | Thrust washer 14x30x1 | Rondelle de buté e 14x30x1 | Anlaufscheibe 14x30x1 | Arandela distanciadora 14x30x1 |
| 6 | 006.05.017.00.00 | 1 | | Molla ritorno comando cambio | Gearchange return spring | R ressort de retour comm. ch.ge vit. | Rückstellfeder schaltung | Muelle de retorno cambio |
| 7 | 16.92911.000 | 1 | | Guida molla | Spring guide | Guide ressort | Federfuehrung | Guida de resorte |
| 8 | 006.05.016.00.00 | 1 | | Molla 0,8MM | Spring 0,8MM | R ressort 0,8MM | Feder 0,8MM | Muelle 0,8MM |
| 9 | 006.05.014.80.00 | 1 | | Ventaglio mobile | Movable pawl | Eventail mobile | Schaltautomat | Abanico mó vil |
| 10 | 006.05.010.80.00 | 1 | | Albero comando cambio completo | Gearshift shaft | Arbre de vitesses | Schaltwelle | Eje mando cambio |
| 13 | 006.05.020.00.00 | 2 | | Forchetta 1/4 | Fork 1/4 | Fourchette 1/4 | Schaltgabel 1/4 | Horquilla 1/4 |
| 14 | 006.05.021.00.00 | 1 | | Forchetta 5/6 | Fork 5/6 | Fourchette 5/6 | Schaltgabel 5/6 | Horquilla 5/6 |
| 15 | 006.05.027.00.00 | 3 | | Boccola 6x8.5.2. | Bush 6x8.5.2. | Moyeu 6x8.5.2. | Bü chse 6x8.5.2. | Buje 6x8.5.2. |
| 16 | 026.05.025.00.00 | 2 | | Perno forchetta | Spindle, fork | Axe de fourche | Schaltgabelstift | Perno de la horquilla |
| 17 | 12.93405.000 | 2 | | Cuscinetto 61805 | Bearing 61805 | Roulement 61805 | Lager 61805 | Cojinete 61805 |
| 18 | 006.05.030.00.00 | 1 | | Camma cambio | Selector drum | Barillet de sélection de vitesses | Schaltwalze | Leva de la caja de cambios |
| 19 | 029.05.001.80.00 | 1 | | Camma Arresto Marce | Gear Stopper Cam | Came Buté e Vitesses | Gangsperrnocken | Leva Parada Marchas |
| 20 | 31.45115.000 | 1 | | Vite M6X30 | Screw M6X30 | Vis M6X30 | Schraube M6X30 | Tornillo M6X30 |
| 21 | C24.24.045.00.00 | 2 | | Vite a brugola TCCE 5x10 | Allen screw TCCE 5x10 | Vis à 6 pans TCCE 5x10 | Sechskantschraube TCCE 5x10 | Tornillo a llave allen TCCE 5x10 |
| 22 | 029.05.031.00.00 | 1 | | Piastrina fissaggio cuscinetto | Fixing bearing plate | Plaquette fix. roulement | Plättchen | Placa fij. cojinete |
| 25 | 029.05.050.80.00 | 1 | | Leva arresto marce | Gear stop lever | Levier arrê t vit. | Gangstopphebel | Palanca arresto vel. |
| 26 | 22.39591.000 | 1 | | Molla arresto marce | Gear stop spring | R ressort arrê t vit. | Gangstopffeder | Muelle arresto vel. |
| 27 | 029.05.054.00.00 | 1 | | Distanziale | Spacer | Entretoise | Distanzstü ck | Distanciador |
| 28 | 27.42000.100 | 1 | | Rondella 6x20.1,0 | Washer 6x20.1,0 | Rondelle 6x20.1,0 | U.Scheibe 6x20.1,0 | Arandela 6x20.1,0 |
| 29 | 31.30780.000 | 1 | | Vite TBIB M6x20 | Screw TBIB M6x20 | Vis TBIB M6x20 | Schraube TBIB M6x20 | Tornillo TBIB M6x20 |

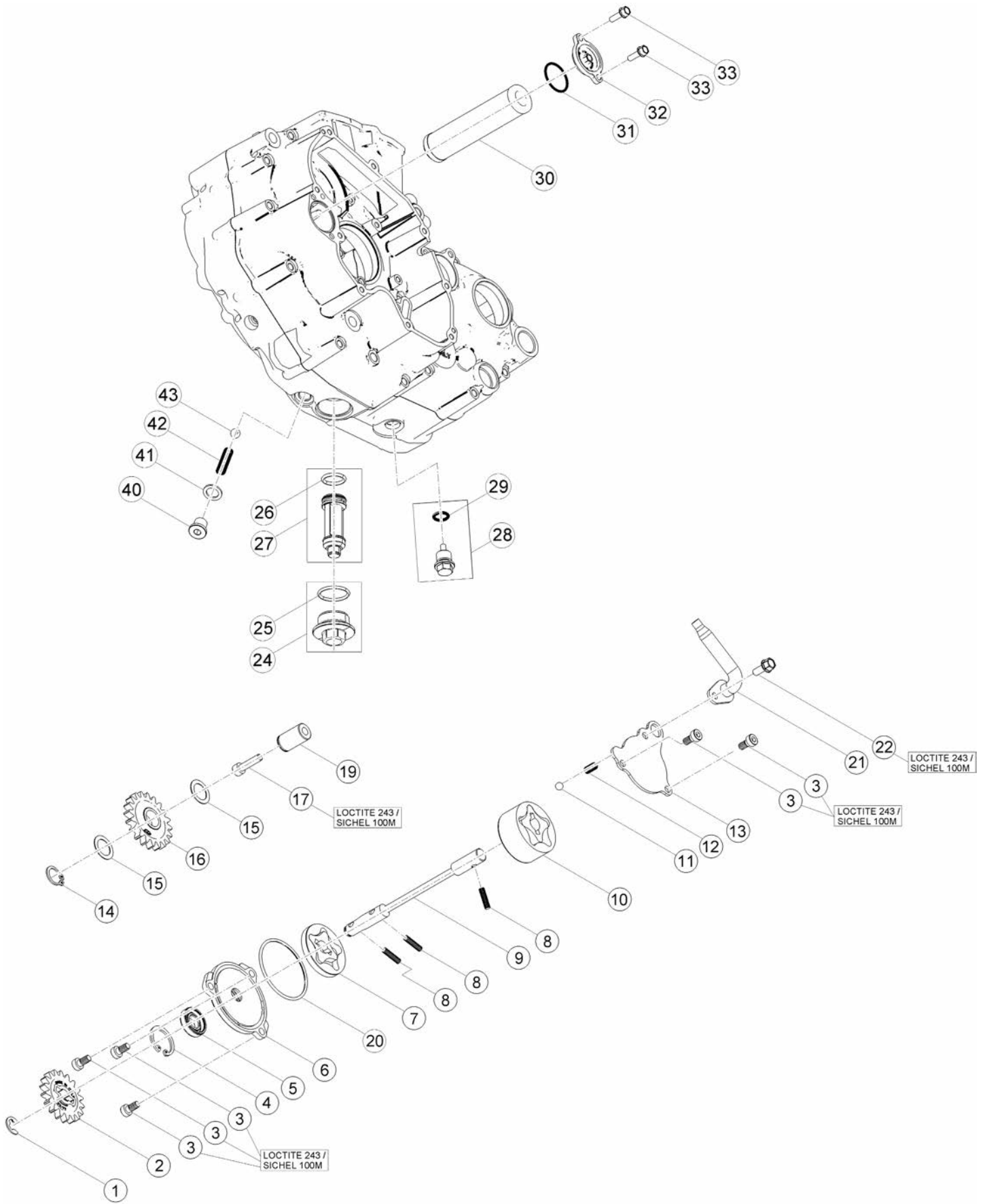
Tav.07



© Copyright 2017 Betamotor S.p.A.

| Pos Loc | Numero | Q.tà | Nota | Descrizione | Description | Dé signation | Beschreibung | Descrìpziòn |
|---------|------------------|------|------|----------------------------------|------------------------|----------------------------------|--|-----------------------------------|
| Pos | Numé ro | Q.té | Note | | | | | |
| Ps | Nú mero | M.ge | Nota | | | | | |
| Pos | Nummer | C.ad | Anm. | | | | | |
| 1 | 029.07.000.80.00 | 1 | | Motorino avviamento 0,45KW | Starter motor 0,45KW | Moteur du démarreur 0,45KW | Startermotor 0,45KW | Motor de arranque 0,45KW |
| 2 | 36.25056.000 | 1 | | Anello OR 25,00x3,00 | O-Ring 25,00x3,00 | Bague d' é tanché ité 25,00x3,00 | O-Ring 25,00x3,00 | Anillo OR 25,00x3,00 |
| 3 | 11.50010.000 | 2 | | Bullone 6x25 ch8 rs | Bolt 6x25 ch8 rs | Boulon 6x25 ch8 rs | Bolzen 6x25 ch8 rs | Tornillo 6x25 ch8 rs |
| 4 | 029.07.010.80.00 | 1 | | Limitatore di coppia | Torque limiting | Limiteur de coupe | Drehmomentbegrenzer - Gefü hrte Puffer | Limitador de par de torsion |
| 5 | 27.42000.100 | 1 | | Rondella spessore 6.20.1 | Spacer washer 6.20.1 | Entretoise 6.20.1 | Distanzscheibe 6.20.1 | Arandela distanciadora 6.20.1 |
| 6 | 11.50010.000 | 1 | | Bullone M6x25 | Bolt M6x25 | Boulon M6x25 | Bolzen M6x25 | Tornillo M6x25 |
| 7 | 029.07.020.00.00 | 1 | | Ingranaggio ozioso | Idle gear | Engrenage parasite | Zahnrad | Engranaje parásita |
| 8 | 28.24460.000 | 1 | | Seeger 16x1 | Circlip 16x1 | Circlip 16x1 | Seeger 16x1 | Seeger 16x1 |
| 9 | 029.07.030.00.00 | 1 | | Ingranaggio avviamento | Starter gear | Engrenage du démarreur | Starterzahnrad | Engranaje puesta en marcha |
| 10 | 006.07.031.00.00 | 1 | | Boccola a rulli HK 2516 | Roller bearing HK 2516 | Douille à roulements HK 2516 | Rollenbuchse HK 2516 | Caja de grasa de rodillos HK 2516 |
| 11 | 006.07.040.00.00 | 1 | | Ruota libera | Free wheel | Roue libre | Freilauf | Rueda libre |
| 12 | 029.07.025.00.00 | 2 | | Piastrina ingranaggio avviamento | Starter gear plate | Plaquette engrenage du démarreur | Plättchen starterzahnrad | Placa engranaje puesta en marcha |
| 13 | C24.24.045.00.00 | 2 | | Vite a brugola TCCE 5x10 | Allen screw TCCE 5x10 | Vis à 6 pans TCCE 5x10 | Sechskantschraube TCCE 5x10 | Tornillo a llave allen TCCE 5x10 |

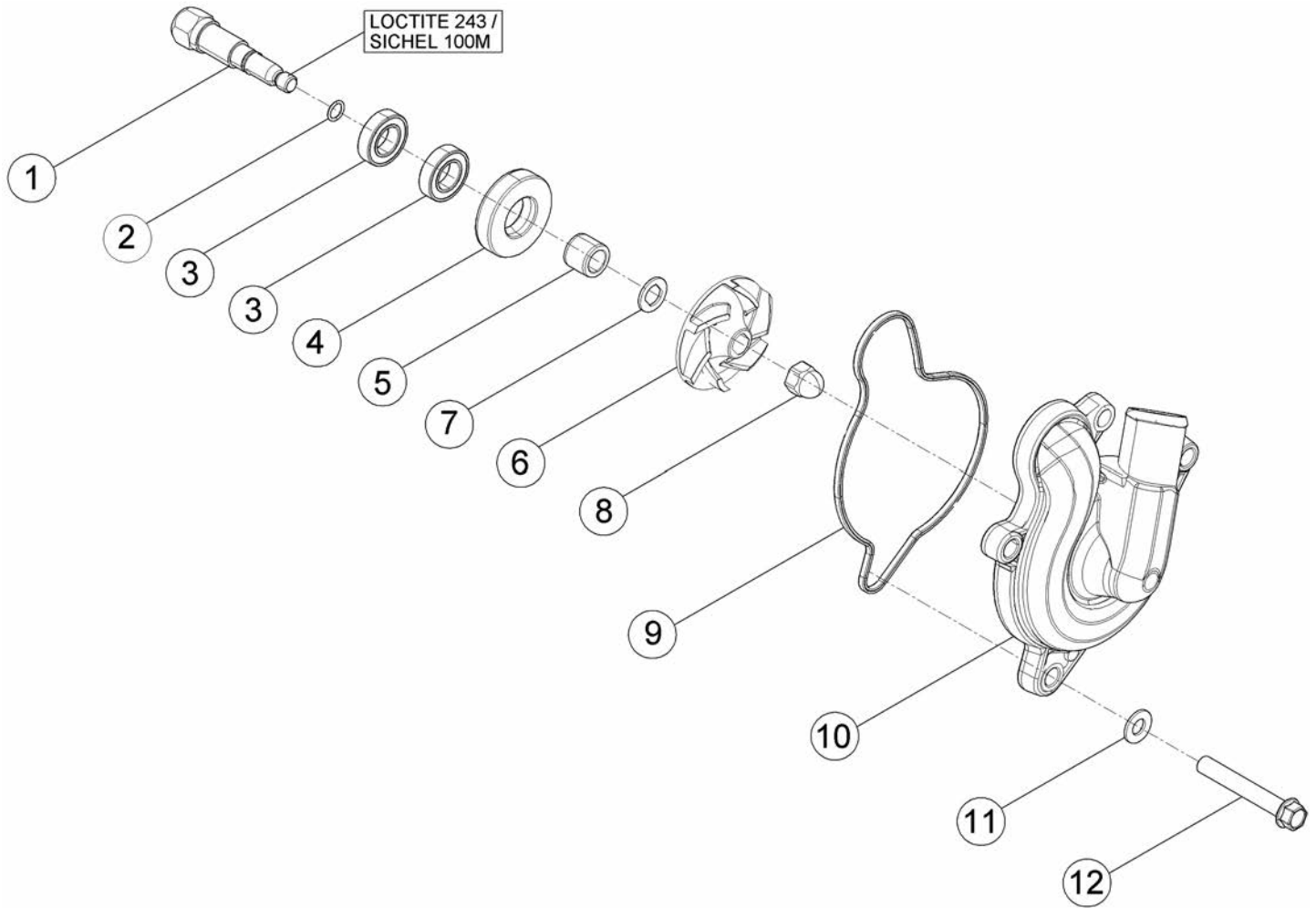
Tav.08



Tav.08

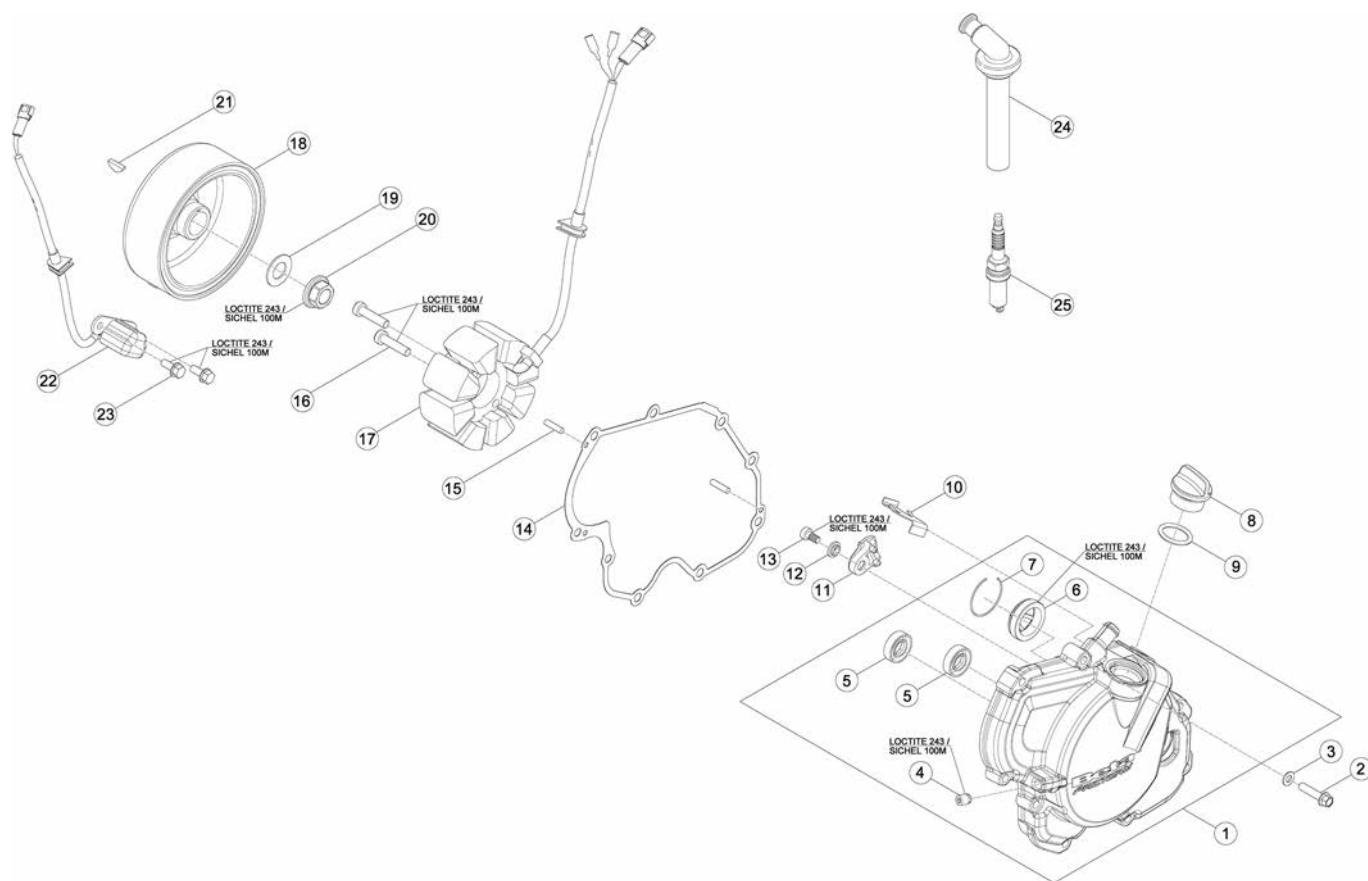
| Pos Loc Ps Pos | Numero Number Numéro Nummer | Q.tà Q.ty Q.té M.ge C.ad | Nota Note Nota Anm. | Descrizione | Description | Dé signation | Beschreibung | Descrìpziò n |
|----------------|-----------------------------|--------------------------|---------------------|-----------------------------------|--------------------------|---------------------------------------|-----------------------------|-----------------------------------|
| 1 | 28.22645.000 | 1 | | Seeger RA 7 | Circlip RA 7 | Circlip RA 7 | Seeger RA 7 | Seeger RA 7 |
| 2 | 006.08.022.00.00 | 1 | | Ingranaggio pompa olio | Oil pump gear | Engrenage pompe huile | Zahnrad Ölpumpe | Engranaje bomba aceite |
| 3 | C24.24.045.00.00 | 5 | | Vite a brugola TCCE 5x10 | Allen screw TCCE 5x10 | Vis à 6 pans TCCE 5x10 | Sechskantschraube TCCE 5x10 | Tornillo a llave allen TCCE 5x10 |
| 4 | 28.25502.000 | 1 | | Seeger JS24 | Circlip JS24 | Circlip JS24 | Seeger JS24 | Seeger JS24 |
| 5 | 10.44695.000 | 1 | | Anello paraolio 10x22.6 | Oil seal 10x22.6 | Joint d' é tanché ité 10x22.6 | Ölschutzring 10x22.6 | Retén de aceite 10x22.6 |
| 6 | 029.08.011.00.00 | 1 | | Coperchio pompa olio pressione | Oil perssure pump cover | Couvercle pompe à huile refoulement | Deckel Druckölpumpe | Tapa bomba aceite mandata |
| 7 | 006.08.010.80.00 | 1 | | Pompa olio D=40,56 B=5 | Oil pump D=40,56 B=5 | Pompe huile D=40,56 B=5 | Ölpumpe D=40,56 B=5 | Bomba aceite D=40,56 B=5 |
| 8 | 12.93384.000 | 3 | | Rullino 4x15,8 | Roller 4x15,8 | Rouleau 4x15,8 | Rolle 4x15,8 | Rodillo 4x15,8 |
| 9 | 006.08.120.00.00 | 1 | | Albero pompa olio | Oil punp shaft | Arbre de pompe à huile | Ölpumpenwelle | Eje bomba aceite |
| 10 | 006.08.000.80.00 | 1 | | Pompa olio D=40,56 B=19 | Oil pump D=40,56 B=19 | Pompe huile D=40,56 B=19 | Ölpumpe D=40,56 B=19 | Bomba aceite D=40,56 B=19 |
| 11 | 28.90220.000 | 1 | | Sfera Dx5,5 | Ball Dx5,5 | Bille Dx5,5 | Kugel Dx5,5 | Bola Dx5,5 |
| 12 | 006.08.041.00.00 | 1 | | Molla | Spring | Ressort | Feder | Muelle |
| 13 | 029.08.010.00.00 | 1 | | Coperchio pompa olio aspirazione | Oil intake pump cover | Couvercle pompe à huile aspiration | Deckel Ölsaugpumpe | Tapa bomba aceite aspiraciò n |
| 14 | 28.22810.000 | 1 | | Seeger A13 | Circlip A13 | Circlip A13 | Seeger A13 | Seeger A13 |
| 15 | 27.61395.050 | 2 | | Rondella spessoramento 13x19,0,50 | Spacer washer 13x19,0,50 | Entretoise 13x19,0,50 | Distanzscheibe 13x19,0,50 | Arandela distanciadora 13x19,0,50 |
| 16 | 029.08.030.00.00 | 1 | | Rinvio ingranaggio pompa olio | Oil pump gear | Renvoi engrenage pompe huile | Zahnrad Ölpumpe | Reenví o engranaje bomba aceite |
| 17 | 31.30015.000 | 1 | | Vite a brugola 5x20 | Allen screw 5x20 | Vis à 6 pans 5x20 | Sechskantschraube 5x20 | Tornillo a llave allen 5x20 |
| 19 | 006.08.032.00.00 | 1 | | Perno | Pin | Pivot | Zapfen | Perno |
| 20 | 10.66934.000 | 1 | | Anello OR 45 x 2 | O-Ring 45 x 2 | Bague d' é tanché ité 45 x 2 | O-Ring 45 x 2 | Anillo OR 45 x 2 |
| 21 | 029.08.002.80.00 | 1 | | Raccordo tubo olio | Oil channel joint | Raccord tuyau huile | Ölschlauchanschluß | Racor tubo aceite |
| 22 | 11.46251.000 | 1 | | Bullone flangiato M5x12 | Head Flanged bolt M5x12 | Boulon Bridé M5x12 | Bundbolzen M5x12 | Bulón con Brida M5x12 |
| 24 | 029.08.050.80.00 | 1 | | Tappo scarico olio | Oil exh. plug | Bouchon dech. huile | Ölablassschraube | Tapón de descarga aceite |
| 25 | 10.66321.000 | 1 | | Anello OR 17,17x1,78 | O-Ring 17,17x1,78 | Bague d' é tanché ité 17,17x1,78 | O-Ring 17,17x1,78 | Anillo OR 17,17x1,78 |
| 26 | 10.66168.000 | 1 | | Anello OR 12x2 | O-Ring 12x2 | Bague d' é tanché ité 12x2 | O-Ring 12x2 | Anillo OR 12x2 |
| 27 | 029.08.051.80.00 | 1 | | Filtro olio | Oil filter | Filtre à huile | Ölfilter | Filtro de aceite |
| 28 | 006.08.152.80.00 | 1 | | Tappo scarico olio | Oil exh. plug | Bouchon dech. huile | Ölablassschraube | Tapón de descarga aceite |
| 29 | 10.66164.000 | 1 | | Anello Or 11x2,5 nbr70 sh | O-Ring 11x2,5 nbr70 sh | Bague d' é tanché ité 11x2,5 nbr70 sh | O-Ring 11x2,5 nbr70 sh | Anillo OR 11x2,5 nbr70 sh |
| 30 | 006.08.070.00.00 | 1 | | Filtro olio | Oil filter | Filtre à huile | Ölfilter | Filtro de aceite |
| 31 | 10.66685.000 | 1 | | Anello OR 28,1,5 VITON | O-Ring 28,1,5 VITON | Bague d' é tanché ité 28,1,5 VITON | O-Ring 28,1,5 VITON | Anillo OR 28,1,5 VITON |
| 32 | 029.08.060.00.00 | 1 | | Tappo filtro olio | Oil filter plug | Bouchon filtre huile | Ölfilterverschluss | Tapa filtro aceite |
| 33 | 11.48025.000 | 2 | | Bullone 6x16 ch 8 rs | Bolt 6x16 ch 8 rs | Boulon 6x16 ch 8 rs | Bolzen 6x16 ch 8 rs | Tornillo 6x16 ch 8 rs |
| 40 | 36.25062.000 | 2 | | Tappo M12 X 1,5 | Plug M12 X 1,5 | Bouchon M12 X 1,5 | Verschluß M12 X 1,5 | Tapón M12 X 1,5 |
| 41 | 27.60265.000 | 1 | | Rondella rasamento 12x18x1,5 | Thrust washer 12x18x1,5 | Rondelle de buté e 12x18x1,5 | Anlaufscheibe 12x18x1,5 | Arandela distanciadora 12x18x1,5 |
| 42 | 029.08.040.00.00 | 1 | | Molla | Spring | Ressort | Feder | Muelle |
| 43 | 28.90225.000 | 1 | | Sfera Dx9 | Ball Dx9 | Bille Dx9 | Kugel Dx9 | Bola Dx9 |

Tav.09



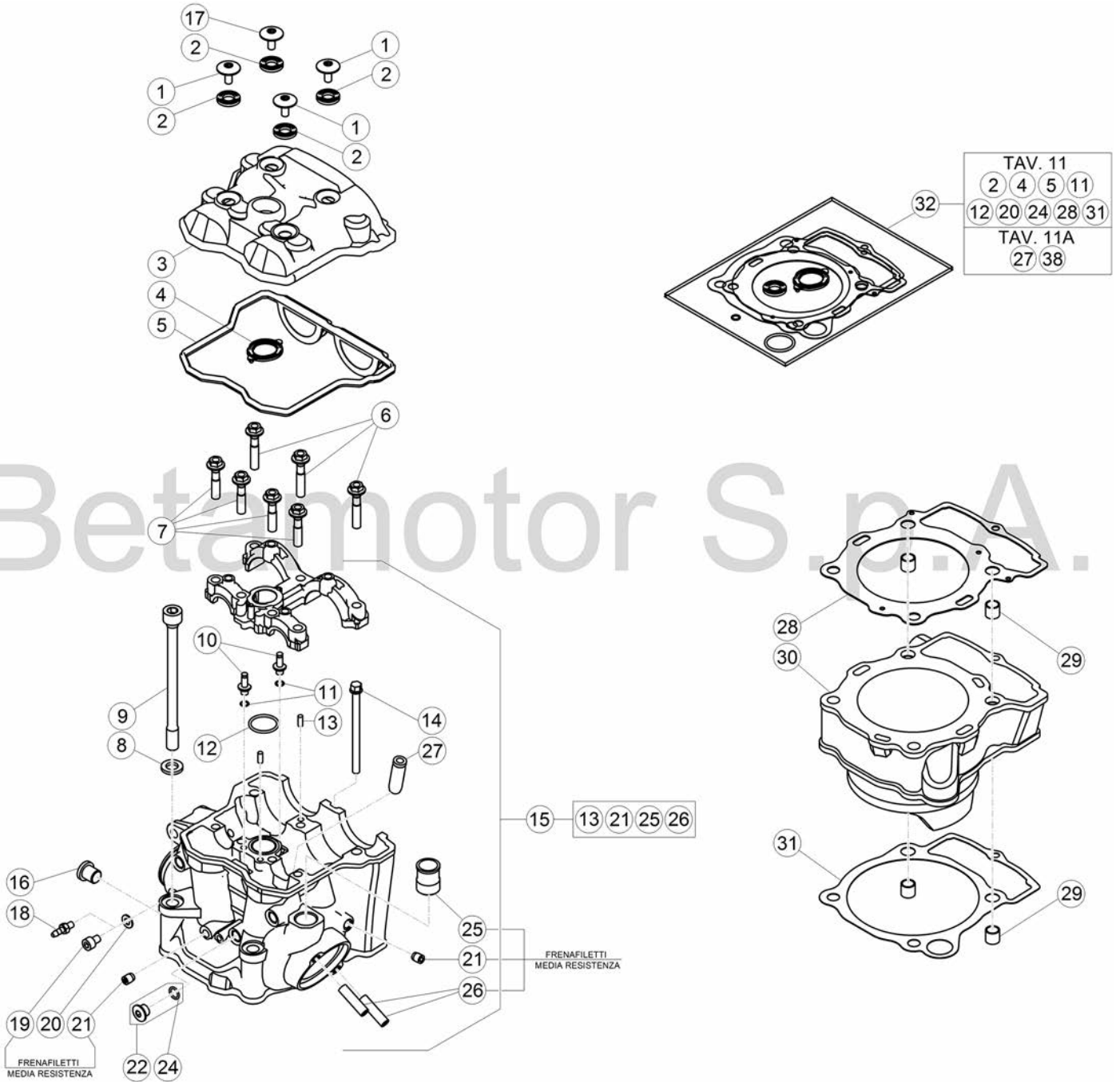
| Pos Loc Pos Ps Pos | Numero Number Numéro Número | Q.tà Q.ty Q.té M.ge C.ad | Nota Note Note Nota Anm. | Descrizione | Description | Dé signation | Beschreibung | Descripció n |
|--------------------------------|--------------------------------------|--------------------------------------|--------------------------------------|-------------------------|----------------------|-------------------------------|-------------------------|--------------------------|
| 1 | 006.09.010.00.00 | 1 | | Albero pompa acqua | Coolant pump shaft | Arbre de pompe a eau | Wasserpumpenwelle | Eje bomba de agua |
| 2 | 10.66136.000 | 1 | | Anello OR 5,5x1 | O-Ring 5,5x1 | Bague d' é tanché ité 5,5x1 | O-Ring 5,5x1 | Anillo OR 5,5x1 |
| 3 | 12.93400.000 | 2 | | Cuscinetto 10x19.5 | Bearing 10x19.5 | Roulement 10x19.5 | Lager 10x19.5 | Cojinete 10x19.5 |
| 4 | 10.48030.000 | 1 | | Anello paraolio 12x30.7 | Oil seal 12x30.7 | Joint d' é tanché ité 12x30.7 | Ölschutzring 12x30.7 | Retén de aceite 12x30.7 |
| 5 | 006.09.011.00.00 | 1 | | Boccola 8x12.10 | Bush 8x12.10 | Moyeu 8x12.10 | Bü chse 8x12.10 | Buje 8x12.10 |
| 6 | 006.09.000.00.00 | 1 | | Girante pompa | Rotor | Roue de pompe | Wasserpumpenrad | Rotor de la bomba |
| 7 | 006.09.012.00.00 | 1 | | Rondella | Washer | Rondelle | U.Scheibe | Arandela |
| 8 | 13.11520.000 | 1 | | Dado M6X1 | Nut M6X1 | Ecrou M6X1 | Mutter M6X1 | Tuerca M6X1 |
| 9 | 006.09.021.00.00 | 1 | | Guarnizione pompa acqua | Water pump gasket | Joint pompe eau | Dichtung Wasserpumpe | Empaque bomba agua |
| 10 | 006.09.020.00.00 | 1 | | Coperchio pompa acqua | Water pump cover | Couvercle pompe à eau | Wasserpumpendeckel | Tapa bomba agua |
| 11 | 27.40490.000 | 1 | | Rondella in rame 6x10x2 | Copper washer 6x10x2 | Rondelle en cuivre 6x10x2 | Kupfer U.Scheibe 6x10x2 | Arandela de cobre 6x10x2 |
| 12 | 11.50360.000 | 4 | | Bullone M6x40 | Bolt M6x40 | Boulon M6x40 | Bolzen M6x40 | Tornillo M6x40 |

Tav.10



| Pos Loc Pos Ps Pos | Numero Number Numé ro Número Nummer | Q.tà Q.ty Q.té M.ge C.ad | Nota Note Note Nota Anm. | Descrizione | Description | Dé signation | Beschreibung | Descrìpiò n |
|--------------------------------|---|--------------------------------------|--------------------------------------|------------------------------|-------------------------|----------------------------------|------------------------------|-----------------------------------|
| 1 | 027.01.050.80.00 | 1 | | Coperchio volano | Flywheel cover | Carter volant | Schwungraddeckel | Tapa volante |
| 2 | 11.50010.000 | 9 | | Bullone M6x25 | Bolt M6x25 | Boulon M6x25 | Bolzen M6x25 | Tornillo M6x25 |
| 3 | 27.58000.000 | 1 | | Rondella | Washer | Rondelle | U.Scheibe | Arandela |
| 4 | 006.01.021.00.00 | 1 | | Tappo olio ad espansione 7X9 | Oil expansion plug 7X9 | Bouchon d'huile à expansion 7X9 | Öl-expansionsstopfen 7X9 | Tapón extensible del aceite 7X9 |
| 5 | 10.44690.000 | 2 | | Anello paraolio 10x22.6 | Oil seal 10x22.6 | Joint d'étanchéité 10x22.6 | Ölschutzring 10x22.6 | Retén de aceite 10x22.6 |
| 6 | 006.01.056.00.00 | 1 | | Oblò ispezione livello olio | Oil level sight glass | Hublot d'inspection niveau huile | Ölkontrollschauglas | Visor de inspección nivel aceite |
| 7 | 28.25680.000 | 1 | | Seeger 30X1 | Circlip 30X1 | Seeger 30X1 | Seeger 30X1 | Seeger 30X1 |
| 8 | 29.09601.000 | 1 | | Tappo carico olio | Oil filling cap | Bouchon rempl. huile | Öleinfüllstopfen | Tapón introducción aceite |
| 9 | 10.66340.000 | 1 | | Anello OR 16x3 | O-Ring 16x3 | Bague d'étanchéité 16x3 | O-Ring 16x3 | Anillo OR 16x3 |
| 10 | 006.01.054.00.00 | 1 | | Piastrina | Plate | Plaque | Plättchen | Placa |
| 11 | 006.11.070.00.00 | 1 | | Guida catena | Chain guide | Guide chaîne | Kettenführung | Gui a catena |
| 12 | 029.08.081.00.00 | 1 | | Boccola | Bush | Moyeu | Büchse | Buje |
| 13 | C24.24.045.00.00 | 1 | | Vite a brugola TCCE 5x10 | Allen screw TCCE 5x10 | Vis à 6 pans TCCE 5x10 | Sechskantschraube TCCE 5x10 | Tornillo a llave allen TCCE 5x10 |
| 14 | 006.01.051.00.00 | 1 | | Guarnizione coperchio volano | Alternator cover gasket | Garniture couvercle alternateur | Alternatordeckeldichtung | Junta tapa alternador |
| 15 | 12.93384.000 | 2 | | Rullino 4x15,8 | Roller 4x15,8 | Rouleau 4x15,8 | Rolle 4x15,8 | Rodillo 4x15,8 |
| 16 | C24.24.039.00.00 | 3 | | Vite a brugola TCCE M5x30 | Allen screw TCCE M5x30 | Vis à 6 pans TCCE M5x30 | Sechskantschraube TCCE M5x30 | Tornillo a llave Allen TCCE M5x30 |
| 17 | 006.10.120.00.00 | 1 | | Statore | Backplate | Stator | Ankerplatte | Estator |
| 18 | 006.10.110.00.00 | 1 | | Rotore | Rotor | Rotor | Rotor | Rotor |
| 19 | 27.74810.000 | 1 | | Rondella elastica | Spring Washer | Rondelle élastique | Federring | Arandela elástica |
| 20 | 13.25010.000 | 1 | | Dado M12x1 | Nut M12x1 | Ecrou M12x1 | Mutter M12x1 | Tuerca M12x1 |
| 21 | 12.46020.000 | 1 | | Chiavetta 3x5 | Key 3x5 | Clavette 3x5 | Keil 3x5 | Chaveta 3x5 |
| 22 | 006.10.030.00.00 | 1 | | Pick up | Pick-up | Capteur | Pick-up | Pick-up |
| 23 | 11.46251.000 | 2 | | Bullone flangiato M5x12 | Head Flanged bolt M5x12 | Boulon Bridé M5x12 | Bundbolzen M5x12 | Bulón con Brida M5x12 |
| 24 | 006.10.055.00.00 | 1 | | Cappuccio candela | Spark plug cap | Capuchon/couvercle bougie | Zündkerzenkappe | Capuchón de la bujía |
| 25 | 006.10.050.00.00 | 1 | | Candela M12X1,25 | Spark plug M12X1,25 | Bougie M12X1,25 | Zündkerze M12X1,25 | Bujía M12X1,25 |

Tav.11

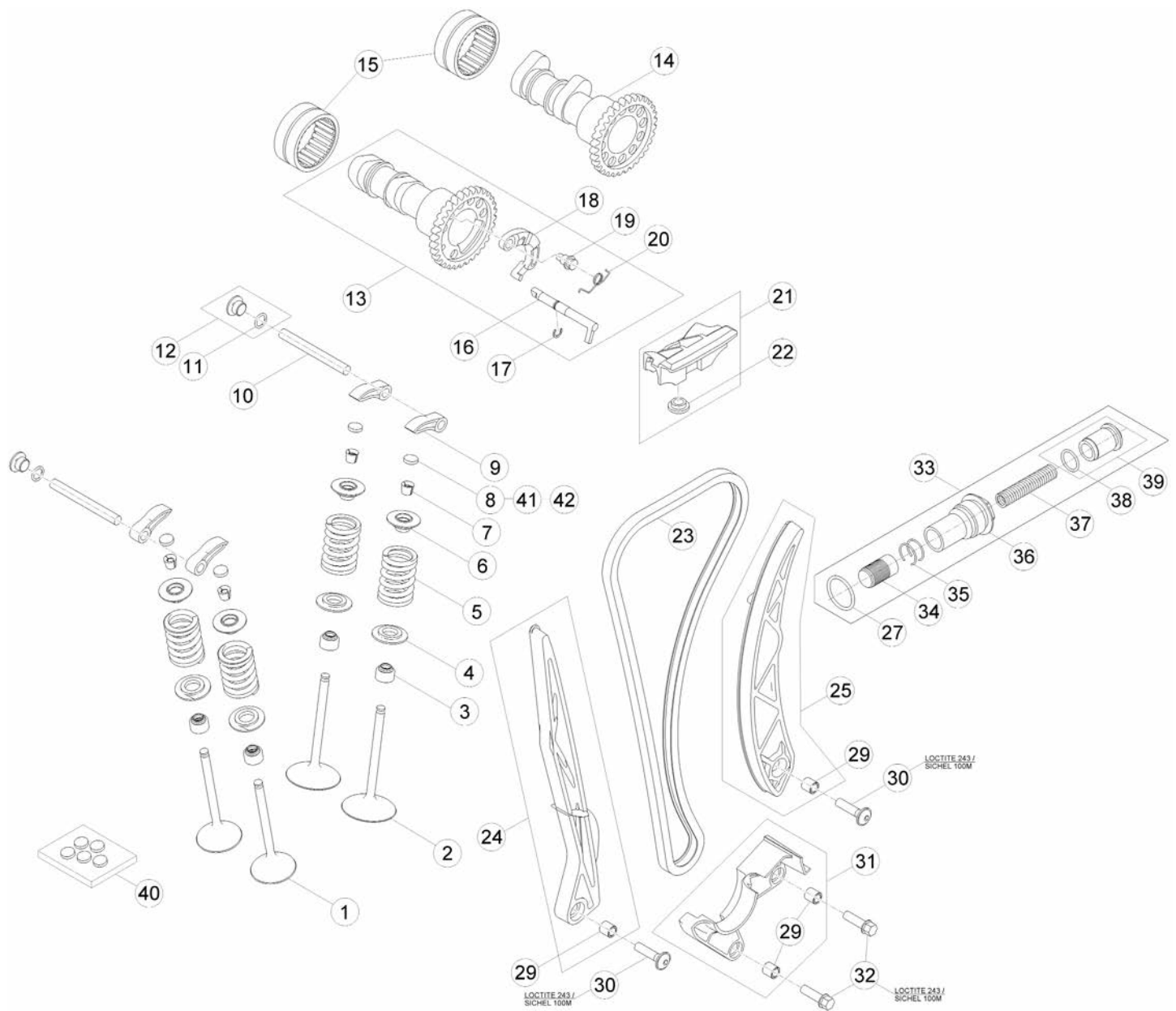


© Copyright 2017 Betamotor S.p.A.

Tav.11

| Pos Loc Pos Ps Pos | Numero Number Numéro Nummer | Q.tà Q.ty Q.té M.ge C.ad | Nota Note Note Nota Anm. | Descrizione | Description | Dé signation | Beschreibung | Descrìpçì n |
|--------------------|-----------------------------|--------------------------|--------------------------|----------------------------------|------------------------------|--------------------------------------|-----------------------------------|----------------------------------|
| 1 | 006.11.025.00.00 | 3 | | Vite coperchio testa | Cylinder head cover screw | Vis couvercle culasse | Schraube Zylinderkopfabdeckung | Tornillo tapa culata |
| 2 | 006.11.026.00.00 | 4 | | Guarnizione | Packing | Joint | Dichtung | Junta |
| 3 | 006.11.020.00.52 | 1 | | Coperchio testa | Cylinder head cover | Couvercle culasse | Zylinderkopfabdeckung | Tapa culata |
| 4 | 006.11.022.00.00 | 1 | | Guarnizione sede candela | Packing spark-plug connector | Joint fiche bougie | Dichtung Kerzenstecker | Junta enchufe para bujia |
| 5 | 029.11.021.00.00 | 1 | | Guarnizione coperchio testa | Cylinder head cover gasket | Jointe couvercle culasse | Dichtung Zylinderkopfabdeckung | Junta tapa culata |
| 6 | 11.52427.000 | 3 | | Bullone speciale 7x38 | Special bolt 7x38 | Boulon spéciale 7x38 | Spezialschraube 7x38 | Tornillo especial 7x38 |
| 7 | 11.52425.000 | 4 | | Bullone speciale 7x33 | Special bolt 7x33 | Boulon spéciale 7x33 | Spezialschraube 7x33 | Tornillo especial 7x33 |
| 8 | 006.11.012.00.00 | 4 | | Distanziale 10,5X18,5X2,5 | Spacer 10,5X18,5X2,5 | Entretoise 10,5X18,5X2,5 | Distanzstück 10,5X18,5X2,5 | Distanciadór 10,5X18,5X2,5 |
| 9 | 022.11.013.00.00 | 4 | | Vite M10x1,25 L=127,5 | Screw M10x1,25 L=127,5 | Vis M10x1,25 L=127,5 | Schraube M10x1,25 L=127,5 | Tornillo M10x1,25 L=127,5 |
| 10 | 006.11.009.00.00 | 2 | | Getto | Jet | Gicleur | Düse | Surtidor |
| 11 | 10.66136.000 | 2 | | Anello OR 5,5x1 | O-Ring 5,5x1 | Bague d' é tanché ité 5,5x1 | O-Ring 5,5x1 | Anillo OR 5,5x1 |
| 12 | 10.66495.000 | 1 | | Anello OR 22x2 | O-Ring 22x2 | Bague d' é tanché ité 22x2 | O-Ring 22x2 | Anillo OR 22x2 |
| 13 | 36.25021.000 | 2 | | Rullino 4,0 X 9,8 | Roller 4,0 X 9,8 | Rouleau 4,0 X 9,8 | Rolle 4,0 X 9,8 | Rodillo 4,0 X 9,8 |
| 14 | 11.05445.000 | 1 | | Bullone 6x80 | Bolt 6x80 | Boulon 6x80 | Bolzen 6x80 | Tornillo 6x80 |
| 15 | 028.11.000.80.00 | 1 | 350-390cc | Testa completa | Cylinder head | Culasse complete | Zylinderkopf Kpl. | Culata completa |
| 15 | 029.11.100.80.00 | 1 | 430-500cc | Testa completa | Cylinder head | Culasse complete | Zylinderkopf Kpl. | Culata completa |
| 16 | 029.13.004.00.00 | 1 | | Sensore temperatura | Temperature sensor | Capteur de temperature | Wassertemperatursensor | Sensò r temperatura |
| 17 | 006.11.035.00.00 | 1 | | Vite di sicurezza | Tab screw | Vis de sû reté | Sicherungs-Schraube | Tornillo de seguridad |
| 18 | 29.00280.000 | 1 | | Raccordo | Joint | Raccord | Stützen | Racor |
| 19 | C24.24.044.00.00 | 1 | | Vite a brugola TCCE 6.8 | Allen screw TCCE 6.8 | Vis à 6 pans TCCE 6.8 | Sechskantschraube TCCE 6.8 | Tornillo a llave allen TCCE 6.8 |
| 20 | 27.58000.000 | 1 | | Rondella | Washer | Rondelle | U.Scheibe | Arandela |
| 21 | 006.01.021.00.00 | 2 | | Tappo olio ad espansione 7X9 | Oil expansion plug 7X9 | Bouchon d' huile à expansion 7X9 | Öl-expansionsstopfen 7X9 | Tapò n extensible del aceite 7X9 |
| 22 | 006.11.045.80.00 | 1 | | Tappo Albero coperchio frizione | Clutch cover Arm Plug | Bouchon Arbre Couvercle d' embrayage | Endkappe Kupplungsdeckel | Tapa Ciguenal embrague |
| 24 | 10.50010.000 | 1 | | Anello OR 8x1,5x | O-Ring 8x1,5x | Bague d' é tanché ité 8x1,5x | O-Ring 8x1,5x | Anillo OR 8x1,5x |
| 25 | 006.11.108.00.00 | 1 | | Raccordo uscita acqua M20x1,25 | Water outlet union M20x1,25 | Raccord é vacuation d' eau M20x1,25 | Anschluß für Wasserblauf M20x1,25 | Conexiò n salida agua M20x1,25 |
| 26 | 006.11.019.00.00 | 2 | | Prigioniero M8X30 | Stud M8X30 | Goujon M8X30 | Stiftschraube M8X30 | Espá rrago M8X30 |
| 27 | 006.11.005.00.00 | 4 | | Guida valvola | Valve guide | Guide soupape | Ventilführung | Gui a válvula |
| 28 | 027.02.063.00.00 | 1 | 350-390cc | Guarnizione testa ø88 | Cylinder head gasket ø88 | Joint Culasse ø88 | Zylinderkopfdichtung ø88 | Junta de culata ø88 |
| 28 | 029.02.063.00.00 | 1 | 430cc | Guarnizione testa | Cylinder head gasket | Joint Culasse | Zylinderkopfdichtung | Junta de culata |
| 28 | 030.02.063.00.00 | 1 | 500cc | Guarnizione testa | Cylinder head gasket | Joint Culasse | Zylinderkopfdichtung | Junta de culata |
| 29 | 006.02.070.00.00 | 4 | | Boccola 10,5x12x11 | Bush 10,5x12x11 | Moyeu 10,5x12x11 | Bü chse 10,5x12x11 | Buje 10,5x12x11 |
| 30 | 027.02.060.00.01 | 1 | 350-390cc | Cilindro ø88 Misura 1 | Cylinder ø88 Size 1 | Cylindre ø88 Mesure 1 | Zylinder ø88 Typ 1 | Cilindro ø88 Medida 1 |
| 30 | 027.02.060.00.02 | 1 | 350-390cc | Cilindro ø88 Misura 2 | Cylinder ø88 Size 2 | Cylindre ø88 Mesure 2 | Zylinder ø88 Typ 2 | Cilindro ø88 Medida 2 |
| 30 | 029.02.060.00.01 | 1 | 430cc | Cilindro 1M | Cylinder 1M | Cylindre 1M | Zylinder 1M | Cilindro 1M |
| 30 | 029.02.060.00.02 | 1 | 430cc | Cilindro 2M | Cylinder 2M | Cylindre 2M | Zylinder 2M | Cilindro 2M |
| 30 | 030.02.060.00.01 | 1 | 500cc | Cilindro 1M | Cylinder 1M | Cylindre 1M | Zylinder 1M | Cilindro 1M |
| 30 | 030.02.060.00.02 | 1 | 500cc | Cilindro 2M | Cylinder 2M | Cylindre 2M | Zylinder 2M | Cilindro 2M |
| 31 | 027.02.062.00.00 | 1 | 350-390cc | Guarnizione base cilindro 0,5mm | Cylinder base gasket 0,5mm | Garniture base cylindre 0,5mm | Dichtung für Zylinderfuß 0,5mm | Junta base cilindro 0,5mm |
| 31 | 029.02.162.00.00 | 1 | 430cc | Guarnizione base cilindro 0,3MM | Cylinder base gasket 0,3MM | Garniture base cylindre 0,3MM | Dichtung für Zylinderfuß 0,3MM | Junta base cilindro 0,3MM |
| 31 | 029.02.162.00.00 | 2 | 500cc | Guarnizione base cilindro 0,3MM | Cylinder base gasket 0,3MM | Garniture base cylindre 0,3MM | Dichtung für Zylinderfuß 0,3MM | Junta base cilindro 0,3MM |
| 32 | 027.11.010.82.00 | 1 | 350-390cc | Busta guarnizioni cilindro-testa | Head-cylinder gaskets set | Etui garnitures cylindre-tête | Beutel mit Zylinderkopfdichtungen | Serie juntas cilindro culata |
| 32 | 029.11.067.82.00 | 1 | 430cc | Busta guarnizioni cilindro-testa | Head-cylinder gaskets set | Etui garnitures cylindre-tête | Beutel mit Zylinderkopfdichtungen | Serie juntas cilindro culata |
| 32 | 030.11.000.82.00 | 1 | 500cc | Busta guarnizioni cilindro-testa | Head-cylinder gaskets set | Etui garnitures cylindre-tête | Beutel mit Zylinderkopfdichtungen | Serie juntas cilindro culata |

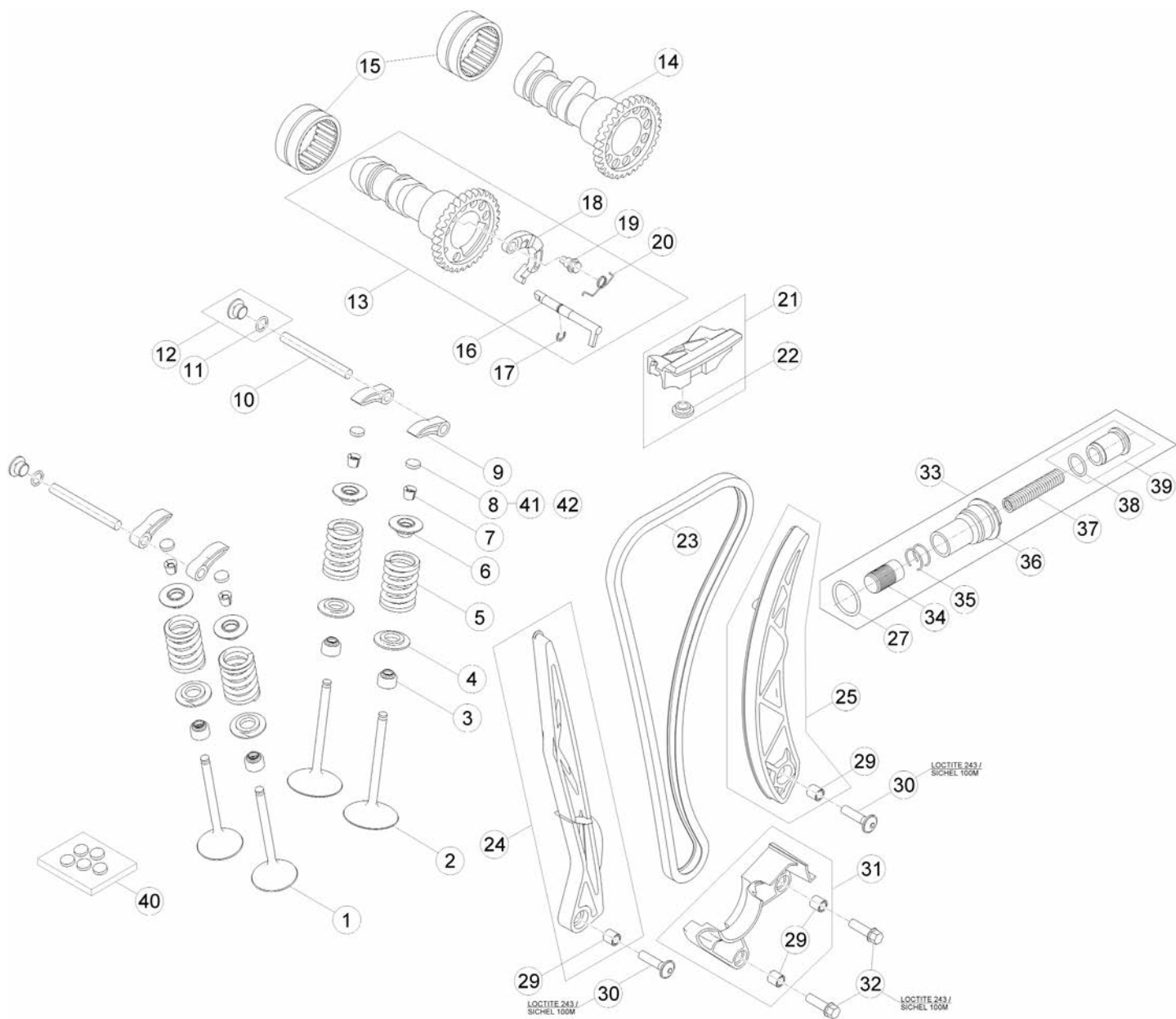
Tav.11A



Tav.11A

| Pos Loc Pos Ps Pos | Numero Number Numéro Nummer | Q.tà Q.ty Q.té M.ge C.ad | Nota Note Note Nota Anm. | Descrizione | Description | Dé signation | Beschreibung | Descrìpziò n |
|--------------------|-----------------------------|--------------------------|--------------------------|----------------------------|----------------------|-------------------------------|--------------------------|-------------------------------|
| 1 | 027.11.033.00.00 | 2 | 350-390cc | Valvola scarico | Exhaust valve | Soupape d' é ch. | Auslaßventil | Válvula de escape |
| 1 | 029.11.003.00.00 | 2 | 430-500cc | Valvola scarico | Exhaust valve | Soupape d' é ch. | Auslaßventil | Válvula de escape |
| 2 | 027.11.032.00.00 | 2 | 350-390cc | Valvola aspirazione | Suction valve | Soupape aspir. | Einlaßventil | Válvula aspiració n |
| 2 | 029.15.032.00.00 | 2 | 430-500cc | Valvola aspirazione | Suction valve | Soupape aspir. | Einlaßventil | Válvula aspiració n |
| 3 | 006.11.139.00.00 | 4 | | Gambo Valvole | Gambo Valves | Tige Valves | Ventilschaftdichtung | Brazo Valvulas |
| 4 | 027.11.037.00.00 | 4 | | Scodellino inferiore | Lower stop washer | Rondelle d' arrê t infê rieur | Unterer Federaufnahme | Platillo inferior |
| 5 | 027.11.034.00.00 | 4 | | Molla valvola | Valve spring | Ressort soupape | Ventilfeder | Muelle válvula |
| 6 | 027.11.036.00.00 | 4 | | Scodellino superiore | Upper stop washer | Rondelle d' arrê t supê rieur | Oberer Federaufnahme | Platillo superior |
| 7 | 006.11.038.00.00 | 8 | | Semicono | Cone, half | Demi bague | Buchse halb | Semicasquillo |
| 8 | 006.11.040.20.00 | 1 | | Rondella spessore 2,000 | Shim 2,000 | Rondelle entretoise 2,000 | Ausgleichscheib 2,000 | Arandela suplemento 2,000 |
| 8 | 006.11.040.20.05 | 1 | | Rondella spessore 2,050 | Shim 2,050 | Rondelle entretoise 2,050 | Ausgleichscheib 2,050 | Arandela suplemento 2,050 |
| 8 | 006.11.040.20.10 | 1 | | Rondella spessore 2,100 | Shim 2,100 | Rondelle entretoise 2,100 | Ausgleichscheib 2,100 | Arandela suplemento 2,100 |
| 8 | 006.11.040.20.15 | 1 | | Rondella spessore 2,150 | Shim 2,150 | Rondelle entretoise 2,150 | Ausgleichscheib 2,150 | Arandela suplemento 2,150 |
| 8 | 006.11.040.20.20 | 1 | | Rondella spessore 2,200 | Shim 2,200 | Rondelle entretoise 2,200 | Ausgleichscheib 2,200 | Arandela suplemento 2,200 |
| 8 | 006.11.040.20.25 | 1 | | Rondella spessore 2,250 | Shim 2,250 | Rondelle entretoise 2,250 | Ausgleichscheib 2,250 | Arandela suplemento 2,250 |
| 8 | 006.11.040.20.30 | 1 | | Rondella spessore 2,300 | Shim 2,300 | Rondelle entretoise 2,300 | Ausgleichscheib 2,300 | Arandela suplemento 2,300 |
| 8 | 006.11.040.20.32 | 1 | | Rondella spessore 2,325 | Shim 2,325 | Rondelle entretoise 2,325 | Ausgleichscheib 2,325 | Arandela suplemento 2,325 |
| 8 | 006.11.040.20.35 | 1 | | Rondella spessore 2,350 | Shim 2,350 | Rondelle entretoise 2,350 | Ausgleichscheib 2,350 | Arandela suplemento 2,350 |
| 8 | 006.11.040.20.37 | 1 | | Rondella spessore 2,375 | Shim 2,375 | Rondelle entretoise 2,375 | Ausgleichscheib 2,375 | Arandela suplemento 2,375 |
| 8 | 006.11.040.20.40 | 1 | | Rondella spessore 2,400 | Shim 2,400 | Rondelle entretoise 2,400 | Ausgleichscheib 2,400 | Arandela suplemento 2,400 |
| 8 | 006.11.040.20.42 | 1 | | Rondella spessore 2,425 | Shim 2,425 | Rondelle entretoise 2,425 | Ausgleichscheib 2,425 | Arandela suplemento 2,425 |
| 8 | 006.11.040.20.45 | 1 | | Rondella spessore 2,450 | Shim 2,450 | Rondelle entretoise 2,450 | Ausgleichscheib 2,450 | Arandela suplemento 2,450 |
| 8 | 006.11.040.20.47 | 1 | | Rondella spessore 2,475 | Shim 2,475 | Rondelle entretoise 2,475 | Ausgleichscheib 2,475 | Arandela suplemento 2,475 |
| 8 | 006.11.040.20.50 | 1 | | Rondella spessore 2,500 | Shim 2,500 | Rondelle entretoise 2,500 | Ausgleichscheib 2,500 | Arandela suplemento 2,500 |
| 8 | 006.11.040.20.52 | 1 | | Rondella spessore 2,525 | Shim 2,525 | Rondelle entretoise 2,525 | Ausgleichscheib 2,525 | Arandela suplemento 2,525 |
| 8 | 006.11.040.20.55 | 1 | | Rondella spessore 2,550 | Shim 2,550 | Rondelle entretoise 2,550 | Ausgleichscheib 2,550 | Arandela suplemento 2,550 |
| 8 | 006.11.040.20.57 | 1 | | Rondella spessore 2,575 | Shim 2,575 | Rondelle entretoise 2,575 | Ausgleichscheib 2,575 | Arandela suplemento 2,575 |
| 8 | 006.11.040.20.60 | 1 | | Rondella spessore 2,600 | Shim 2,600 | Rondelle entretoise 2,600 | Ausgleichscheib 2,600 | Arandela suplemento 2,600 |
| 8 | 006.11.040.20.62 | 1 | | Rondella spessore 2,625 | Shim 2,625 | Rondelle entretoise 2,625 | Ausgleichscheib 2,625 | Arandela suplemento 2,625 |
| 8 | 006.11.040.20.65 | 1 | | Rondella spessore 2,650 | Shim 2,650 | Rondelle entretoise 2,650 | Ausgleichscheib 2,650 | Arandela suplemento 2,650 |
| 8 | 006.11.040.20.67 | 1 | | Rondella spessore 2,675 | Shim 2,675 | Rondelle entretoise 2,675 | Ausgleichscheib 2,675 | Arandela suplemento 2,675 |
| 8 | 006.11.040.20.70 | 1 | | Rondella spessore 2,700 | Shim 2,700 | Rondelle entretoise 2,700 | Ausgleichscheib 2,700 | Arandela suplemento 2,700 |
| 8 | 006.11.040.20.72 | 1 | | Rondella spessore 2,725 | Shim 2,725 | Rondelle entretoise 2,725 | Ausgleichscheib 2,725 | Arandela suplemento 2,725 |
| 8 | 006.11.040.20.75 | 1 | | Rondella spessore 2,750 | Shim 2,750 | Rondelle entretoise 2,750 | Ausgleichscheib 2,750 | Arandela suplemento 2,750 |
| 8 | 006.11.040.20.77 | 1 | | Rondella spessore 2,775 | Shim 2,775 | Rondelle entretoise 2,775 | Ausgleichscheib 2,775 | Arandela suplemento 2,775 |
| 8 | 006.11.040.20.80 | 1 | | Rondella spessore 2,800 | Shim 2,800 | Rondelle entretoise 2,800 | Ausgleichscheib 2,800 | Arandela suplemento 2,800 |
| 8 | 006.11.040.20.82 | 1 | | Rondella spessore 2,825 | Shim 2,825 | Rondelle entretoise 2,825 | Ausgleichscheib 2,825 | Arandela suplemento 2,825 |
| 8 | 006.11.040.20.85 | 1 | | Rondella spessore 2,850 | Shim 2,850 | Rondelle entretoise 2,850 | Ausgleichscheib 2,850 | Arandela suplemento 2,850 |
| 8 | 006.11.040.20.87 | 1 | | Rondella spessore 2,875 | Shim 2,875 | Rondelle entretoise 2,875 | Ausgleichscheib 2,875 | Arandela suplemento 2,875 |
| 8 | 006.11.040.20.90 | 1 | | Rondella spessore 2,900 | Shim 2,900 | Rondelle entretoise 2,900 | Ausgleichscheib 2,900 | Arandela suplemento 2,900 |
| 8 | 006.11.040.20.92 | 1 | | Rondella spessore 2,925 | Shim 2,925 | Rondelle entretoise 2,925 | Ausgleichscheib 2,925 | Arandela suplemento 2,925 |
| 8 | 006.11.040.20.95 | 1 | | Rondella spessore 2,950 | Shim 2,950 | Rondelle entretoise 2,950 | Ausgleichscheib 2,950 | Arandela suplemento 2,950 |
| 8 | 006.11.040.20.97 | 1 | | Rondella spessore 2,975 | Shim 2,975 | Rondelle entretoise 2,975 | Ausgleichscheib 2,975 | Arandela suplemento 2,975 |
| 8 | 006.11.040.30.00 | 1 | | Rondella spessore 3,000 | Shim 3,000 | Rondelle entretoise 3,000 | Ausgleichscheib 3,000 | Arandela suplemento 3,000 |
| 8 | 006.11.040.30.05 | 1 | | Rondella spessore 3,050 | Shim 3,050 | Rondelle entretoise 3,050 | Ausgleichscheib 3,050 | Arandela suplemento 3,050 |
| 8 | 006.11.040.30.10 | 1 | | Rondella spessore 3,100 | Shim 3,100 | Rondelle entretoise 3,100 | Ausgleichscheib 3,100 | Arandela suplemento 3,100 |
| 8 | 006.11.040.30.15 | 1 | | Rondella spessore 3,150 | Shim 3,150 | Rondelle entretoise 3,150 | Ausgleichscheib 3,150 | Arandela suplemento 3,150 |
| 8 | 006.11.040.30.20 | 1 | | Rondella spessore 3,200 | Shim 3,200 | Rondelle entretoise 3,200 | Ausgleichscheib 3,200 | Arandela suplemento 3,200 |
| 9 | 006.11.030.00.00 | 4 | | Bilanciere | Lever | Balancier | Kipphebel | Balancin |
| 10 | 006.11.031.00.00 | 2 | | Perno bilanciare | Rocker shaft | Axe culbuteur | Kipphebel-Federwelle | Eje balanci n |
| 11 | 10.50010.000 | 3 | | Anello OR 8x1,5x | O-Ring 8x1,5x | Bague d' é tanché ité 8x1,5x | O-Ring 8x1,5x | Anillo OR 8x1,5x |
| 12 | 006.11.045.80.00 | 2 | | Tappo olio | Oil plug | Bouchon huile | Öleinfüllschraube | Tapó n aceite |
| 13 | 027.11.151.80.00 | 1 | 350-390cc | Albero a camme SCARICO | Camshaft EXHAUST | Arbre distr. ECHAPPEMENT | Nockenwelle AUSPUFFSEITE | Eje distribució n DESCARGA |
| 13 | 029.11.151.80.00 | 1 | 430cc | Albero a camme SCARICO | Camshaft EXHAUST | Arbre distr. ECHAPPEMENT | Nockenwelle AUSPUFFSEITE | Eje distribució n DESCARGA |
| 13 | 029.11.051.80.00 | 1 | 500cc | Albero a camme SCARICO | Camshaft EXHAUST | Arbre distr. ECHAPPEMENT | Nockenwelle AUSPUFFSEITE | Eje distribució n DESCARGA |
| 14 | 029.11.150.00.00 | 1 | 350-390cc | Albero a camme ASPIRAZIONE | Camshaft INTAKE | Arbre distribution ADMISSION | Nockenwelle ANSAUGSEITE | Eje distribució n ASPIRACIÓ N |
| 14 | 006.11.150.00.00 | 1 | 430cc | Albero a camme ASPIRAZIONE | Camshaft INTAKE | Arbre distribution ADMISSION | Nockenwelle ANSAUGSEITE | Eje distribució n ASPIRACIÓ N |
| 15 | 006.11.053.00.00 | 2 | | Cuscinetto a rulli | Roller bearing | Roulé ment à aiguilles | Rollenlager | Cojinete de rodillos |
| 16 | 006.11.156.00.00 | 1 | | Albero Di Decompressione | Decompression Shaft | Arbre Decompression | Dekowelle | Ciguenal De Decompression |
| 17 | 28.22635.000 | 1 | | Seeger H7 | Circlip H7 | Circlip H7 | Seeger H7 | Seeger H7 |
| 18 | 006.11.155.00.00 | 1 | | Massa decompressore | Decompressor weight | Masse dé compression | Masse dekompressor | Masa de descompresió n |
| 19 | 006.11.057.00.00 | 1 | | Perno | Pin | Pivot | Zapfen | Perno |
| 20 | 029.11.058.00.00 | 1 | | Molla decompressione | Decompression spring | Ressort dé compresseur | Dekompressionsfeder | Muelle, descompresió n |
| 21 | 006.11.063.80.00 | 1 | | Pattino fisso | Fixed pad | Patin fixe | Fester Laufschuh | Patí n fijo |

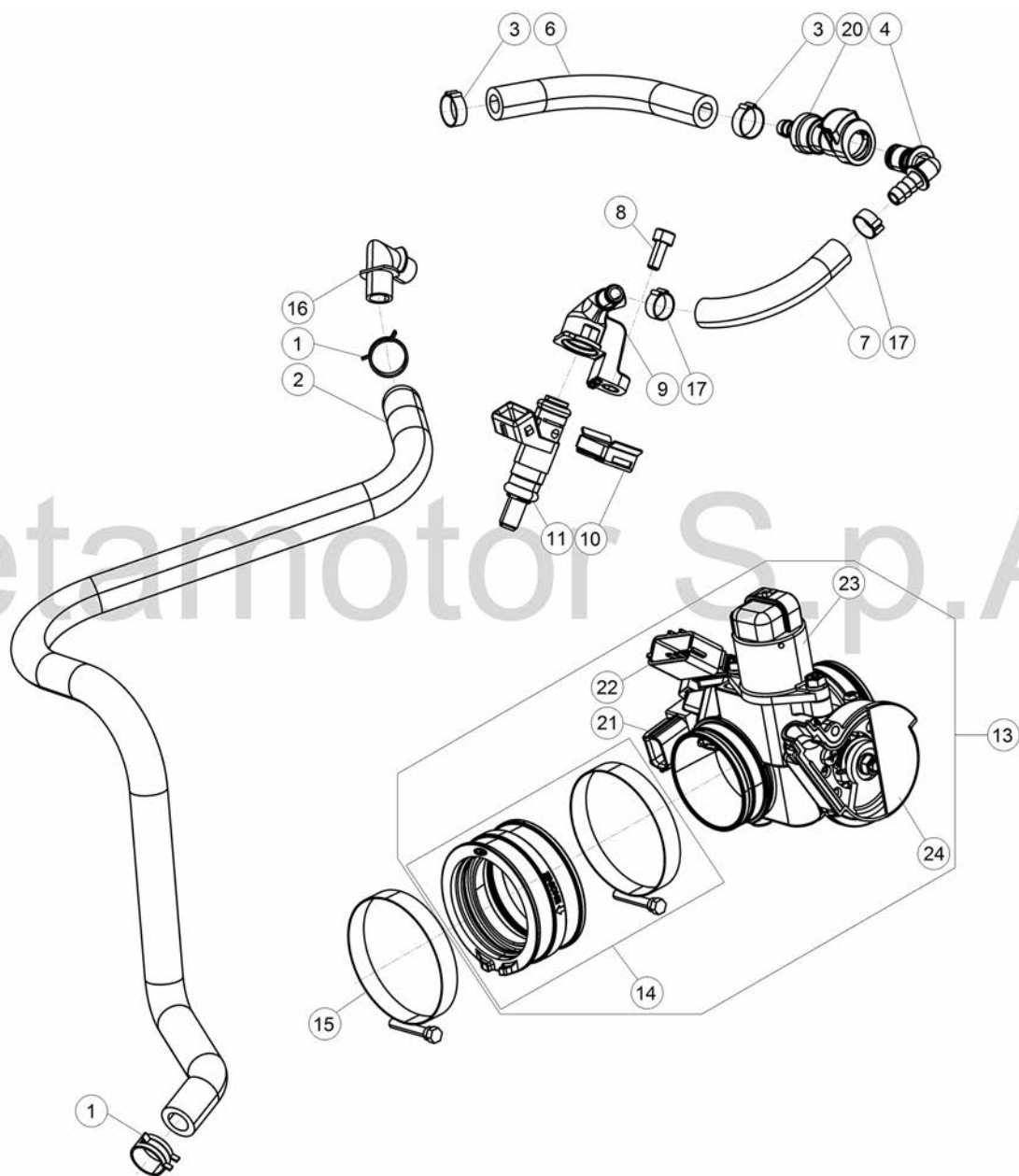
Tav.11A



Tav.11A

| Pos Loc Pos Ps Pos | Numero Number Numé ro Número Nummer | Q.tà Q.ty Q.té M.ge C.ad | Nota Note Nota Anm. | Descrizione | Description | Dé signation | Beschreibung | Descrìpçì n |
|--------------------------------|---|--------------------------------------|------------------------------|----------------------------|-----------------------|-------------------------------|-------------------------|-----------------------------|
| 22 | 006.11.066.00.00 | 1 | | Boccola | Bush | Moyeu | Büchse | Buje |
| 23 | 022.11.060.00.00 | 1 | | Catena distribuzione Z=124 | Timing chain Z=124 | Chaî ne de distribution Z=124 | Ventilsteuerkette Z=124 | Cadena distribuciò n Z=124 |
| 24 | 006.11.061.80.00 | 1 | | Pattino fisso | Fixed pad | Patin fixe | Fester Laufschuh | Pati n fijo |
| 25 | 022.11.062.80.00 | 1 | | Pattino mobile | Movable guide | Patin mobile | Gleitstü ck | Zapata mó vil |
| 27 | 10.66466.000 | 1 | | Anello OR 20x2 | O-Ring 20x2 | Bague d' é tanché ité 20x2 | O-Ring 20x2 | Anillo OR 20x2 |
| 29 | 006.11.065.00.00 | 4 | | Boccola 6,2x9x9 | Bush 6,2x9x9 | Moyeu 6,2x9x9 | Büchse 6,2x9x9 | Buje 6,2x9x9 |
| 30 | 31.30792.000 | 2 | | Vite TBCE 6x25 | Screw TBCE 6x25 | Vis TBCE 6x25 | Schraube TBCE 6x25 | Tornillo TBCE 6x25 |
| 31 | 022.11.064.80.00 | 1 | | Protezione catena | Chain protection | Chaî ne protection | Schutzstü ck Kette | Protecciò n catena |
| 32 | 11.49070.000 | 2 | | Bullone 6x20 ch rs | Bolt 6x20 ch rs | Boulon 6x20 ch rs | Bolzen 6x20 ch rs | Tornillo 6x20 ch rs |
| 33 | 006.11.167.80.00 | 1 | | Tendicatena completo | Chain tightener assy. | Tendeur de chaî ne compet | Kettenspanner komplett | Tensor de catena compl. |
| 34 | 006.11.167.20.00 | 1 | | Pistone | Piston | Piston | Kolben | Pistó n |
| 35 | 28.23105.000 | 2 | | Seeger RB14 DIN 7993 | Circlip RB14 DIN 7993 | Circlip RB14 DIN 7993 | Seeger RB14 DIN 7993 | Seeger RB14 DIN 7993 |
| 36 | 006.11.167.10.00 | 1 | | Bullone tendicatena | Chain tightening bolt | Boulon tendeur de chaî ne | Bolzen Kettenspanner | Perno tensionador de catena |
| 37 | 006.11.267.30.00 | 1 | | Molla tendicatena | Chain tight. spring | Ress.t tend. de ch. | Kettenspanner feder | Muelle tens. de cad. |
| 38 | 10.66175.000 | 1 | | Anello OR 13x1.5 | O-Ring 13x1.5 | Bague d' é tanché ité 13x1.5 | O-Ring 13x1.5 | Anillo OR 13x1.5 |
| 39 | 006.11.168.80.00 | 1 | | Tappo completo | Complete cap | Bouchon complet | Verschluß komplett | Tapó n completo |
| 40 | 006.45.001.80.00 | 1 | | Kit spessori valvole | Valves insert kit | Jeu elements soupapes | Kit ventileinsatzen | Kit elementos de valvulas |

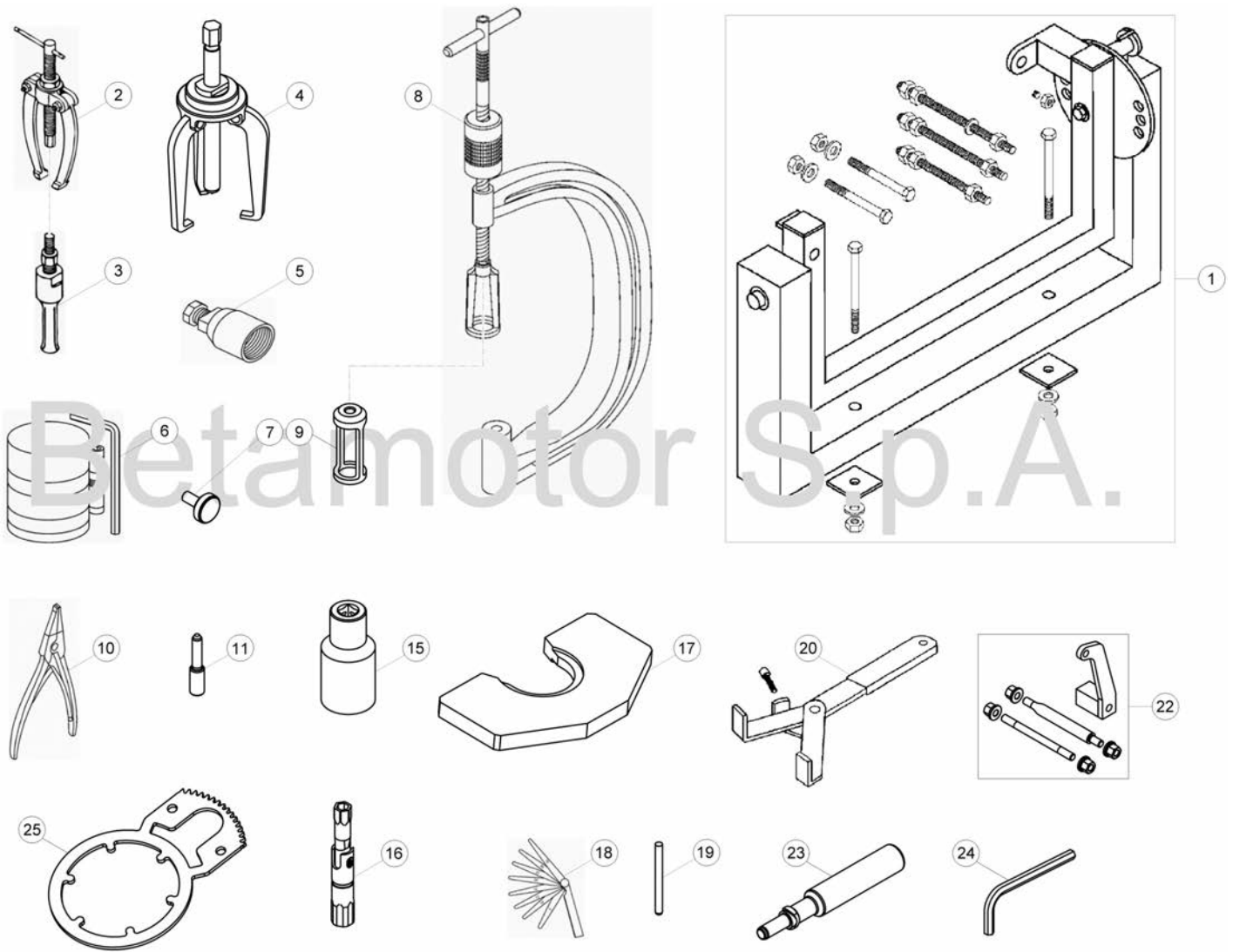
Tav.13



© Copyright 2018 Betamotor S.p.A.

Tav.13

| Pos Loc Ps Pos | Numero Number Numéro Número Nummer | Q.tà Q.ty Q.té M.ge C.ad | Nota Note Nota Anm. | Descrizione | Description | Dé signation | Beschreibung | Descrìpziò n |
|-------------------------|--|--------------------------------------|------------------------------|--|---|--|---|--|
| 1 | 10.67470.000 | 2 | | Anello stringitubo | Pipe clamping ring | Anneau serre-tube | Schlauchschele | Anillo prensatubo |
| 2 | 029.13.002.00.00 | 1 | | Tubo ventilazione | Ventilation hose | Tuyau ventilation | Lüftungrohr | Tubo de ventilaciòn |
| 3 | C07.16.002.00.00 | 2 | | Fascetta autoaggrappante | Self locking clamp | Collier à autoserrage | Selbstklemmende Schelle | Abrazadera con autobloqueo |
| 4 | 029.13.008.00.00 | 1 | | Raccordo rapido tubo benzina | Quick-coupling union gasoline tube | Raccord rapide tuyau d' essence | Steckanschluß Benzinschlauch | Conexiòn ràpida uubo gasolina |
| 6 | 029.13.025.00.00 | 1 | | Tubo benzina | Petrol tube | Tuyau d' essence | Benzinschlauch | Tubo gasolina |
| 7 | 029.13.026.00.00 | 1 | | Tubo benzina | Petrol tube | Tuyau d' essence | Benzinschlauch | Tubo gasolina |
| 8 | 31.29910.000 | 1 | | Vite 5x12 | Screw 5x12 | Vis 5x12 | Schraube 5x12 | Tornillo 5x12 |
| 9 | 029.13.028.00.00 | 1 | | Cappuccio iniettore | Injector cap | Capuchon injecteur | Kappe Einspritzdüse | Capuchón inyector |
| 10 | 029.13.009.15.00 | 1 | | Staffa fissaggio | Fastening bracket | Bride fix. | Befestigung | Soporte suj. |
| 11 | 029.13.005.00.00 | 1 | | Iniettore | Injector | Injecteur | Einspritzdüse | Inyector |
| 13 | 029.13.013.80.00 | 1 | | Corpo farfallato | Throttle body | Corps papillon | Drosselklappengehäuse | Cuerpo con mariposa |
| 14 | 029.13.000.82.00 | 1 | | Collettore aspirazione | Inlet manifold | Collecteur Admission | Ansaugstutzen | Colector aspiraciòn |
| 15 | 15.14607.800 | 1 | | Fascetta carburatore d.58 con vite + distanziale | Carburetor clamp d.58 with screw + spacer | Collier carburateur d.58 avec vis + entretoise | Schelle Vergaser d.58 mit Schraube + Distanzstück | Abrazadera carburador d.58 con tornillo + distanciador |
| 16 | 27.11020.000 | 1 | | Raccordo a 90° | Joint p. 90° | Raccord 90° | Stutzen 90° | Racor 90° |
| 17 | C07.16.003.00.00 | 2 | | Fascetta autoaggrappante | Self locking clamp | Collier à autoserrage | Selbstklemmende Schelle | Abrazadera con autobloqueo |
| 20 | 031.40.125.00.00 | 1 | | Connettore tubo benzina | Quick-coupling union gasoline tube | Raccord rapide tuyau d' essence | Steckanschluß Benzinschlauch | Conexiòn ràpida uubo gasolina |
| 21 | 029.13.029.00.00 | 1 | | Sensore posizione valvola a farfalla | Throttle position sensor | Capteur de position de papillon | Drosselklappensensor | Sensor de posiciòn del acelerador |
| 22 | 029.13.030.00.00 | 1 | | Sensore temperatura | Temperature sensor | Capteur de température | Temperatursensor | Sensor de temperatura |
| 23 | 029.13.031.00.00 | 1 | | Motore passo-passo | Stepper motor | Moteur pas à pas | Schrittmotor | Schrittmotor |
| 24 | 029.13.032.00.00 | 1 | | Coperchio | Cover | Couvercle | Abdeckung | Tapa |

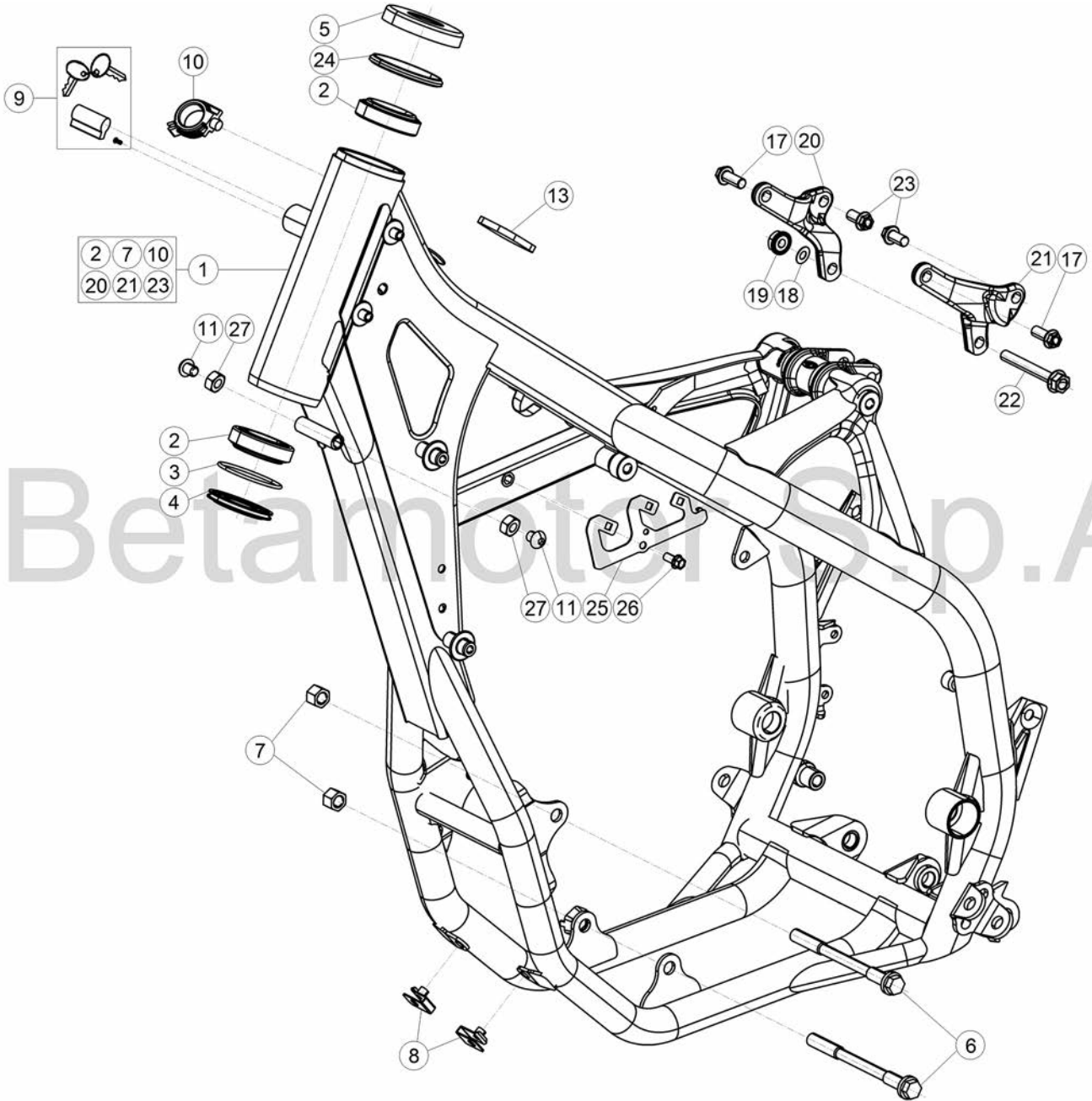


© Copyright 2017 Betamotor S.p.A.

Tav.14

| Pos Loc Pos Ps Pos | Numero Number Numéro Número Nummer | Q.tà Q.ty Q.té M.ge C.ad | Nota Note Note Nota Anm. | Descrizione | Description | Dé signation | Beschreibung | Descrìciò n |
|--------------------------------|--|--------------------------------------|--------------------------------------|--|---|--|--|--|
| 1 | 36.25132.000 | 1 | | Attrezzatura Mont. Motore | Mounting Rack | Outils Montage Moteur | Montagebock | Aparejos Montaje Motor |
| 2 | 36.25081.000 | 1 | | Estrattore | Extractor | Extracteur | Abziehvorricht | Extractor |
| 3 | 006.14.016.00.00 | 1 | | Estrattore Cuscinetti Interni 20-30MM | Intern. Bearings Puller 20-30MM | Extracteur Roulements Int. 20-30MM | Einsatz 20-30MM | Extractor Cojinetes Int. 20-30MM |
| 4 | 006.14.015.00.00 | 1 | | Estrattore Per Ingranaggi | Extractor For Timing Gear | Extracteur Engranages | Zweiback.Abzieher Steuerritzel | Extractor Engranajes |
| 5 | 36.25173.000 | 1 | | Estrattore volante | Flywheel extractor | Extracteur pour volant | Auszieher für Schwungrad | Extractor volante |
| 6 | 006.14.017.00.00 | 1 | | Serie fasce elastiche | Piston ring set | Jeu de segments piston | Satz kolbenring | Juego de aros de piston |
| 7 | 006.14.005.00.00 | 1 | | Attrezzo sbloccaggio tendicatena | Chain tightener unlocking tool | Deverrouillage tend. de ch. | Entriegelung Kettenspanner | Desenclavamiento tens. de cad. |
| 8 | 01.00043.000 | 1 | | Attrezzo mont.- smont. valvole | Valves ass. and rem. tool | Outil pour mont. dem. soup. | Werkzeug für Ventilmontage | Ut. montaje- desm. válvulas |
| 9 | 006.14.003.00.00 | 1 | | Attrezzo per montaggio molle valvola | Valvespring fitting tool | Outil pour montage des ressorts de soupape | Montagewerkzeug für ventillfedern | Utensilio para el montaje del muelle de la válvula |
| 10 | 36.25097.000 | 1 | | Pinza Speciale Anelli | Special Circlip Plier | Pince Speciale Bagues | Seegerringzange Verkehrt | Pinza Especial Anillos |
| 11 | 006.14.011.00.00 | 1 | | Attrezzo per bloccaggio albero motore al PMS | Tool to hold crankshaft in TDC position | Util d' immobilisation du vilebrequin au PMH | Werkzeug für Kurbelwellenblockierung am OT | Herramienta para bloqueo cigüeñal al PMS |
| 15 | 006.14.002.00.00 | 1 | | Chiave a bussola 36MM | Socket wrench 36MM | Cle a douille 36MM | Schluesseinsatz 36MM | Llave de enchufe 36MM |
| 16 | 020.44.010.00.00 | 1 | | Chiave candela | Ignition wrench | Clé à bougie | Zündkerzenschlüssel | Llave bujía |
| 17 | 029.14.007.50.00 | 1 | | Attrezzo smontaggio biella | Conn.-rod dismantling Tool | Outil de dé montage bielle | Demontagewerkzeug Pleuel | Herramientas desmontaje biela |
| 18 | 006.14.021.00.00 | 1 | | Calibro per gioco valvole | Valve allowance gauge | Calibre jeu soupapes | Lehre Ventilspiel | Calibre para juego de válvulas |
| 19 | 006.14.018.00.00 | 1 | | Calibro differenziale guida valvola | Valve guide gauge | Guide soupape | Lehre Ventilführung | Calibre para guía válvula |
| 20 | 006.14.004.00.00 | 1 | | Chiave di fermo mozzo frizione | Clutch hub retaining wrench | Clé f d' arret moyeu embrayage | Halterungsschlüssel der Kupplungsnahe | Llave bloquear cubo fricción |
| 22 | 006.14.014.00.00 | 1 | | Fissaggi motore | Engine fasteners | Fixations moteur | Motorbefest. | Fijaciones motor |
| 23 | 022.14.020.00.00 | 1 | | Attrezzo anello elastico spinotto | Piston pin circlip tool | Outil pour bague él axe de piston | Werkzeug für Sprengring zur Bolzenfeststellung | Ut. anillo elástico bloquea-clavija |
| 24 | 006.44.000.00.00 | 1 | | Chiave speciale | Special wrench | Clé speciale | Spezialschlüssel | Llave special |
| 25 | 029.14.002.50.00 | 1 | | Chiave speciale | Special wrench | Clé speciale | Spezialschlüssel | Llave special |

Tav.31



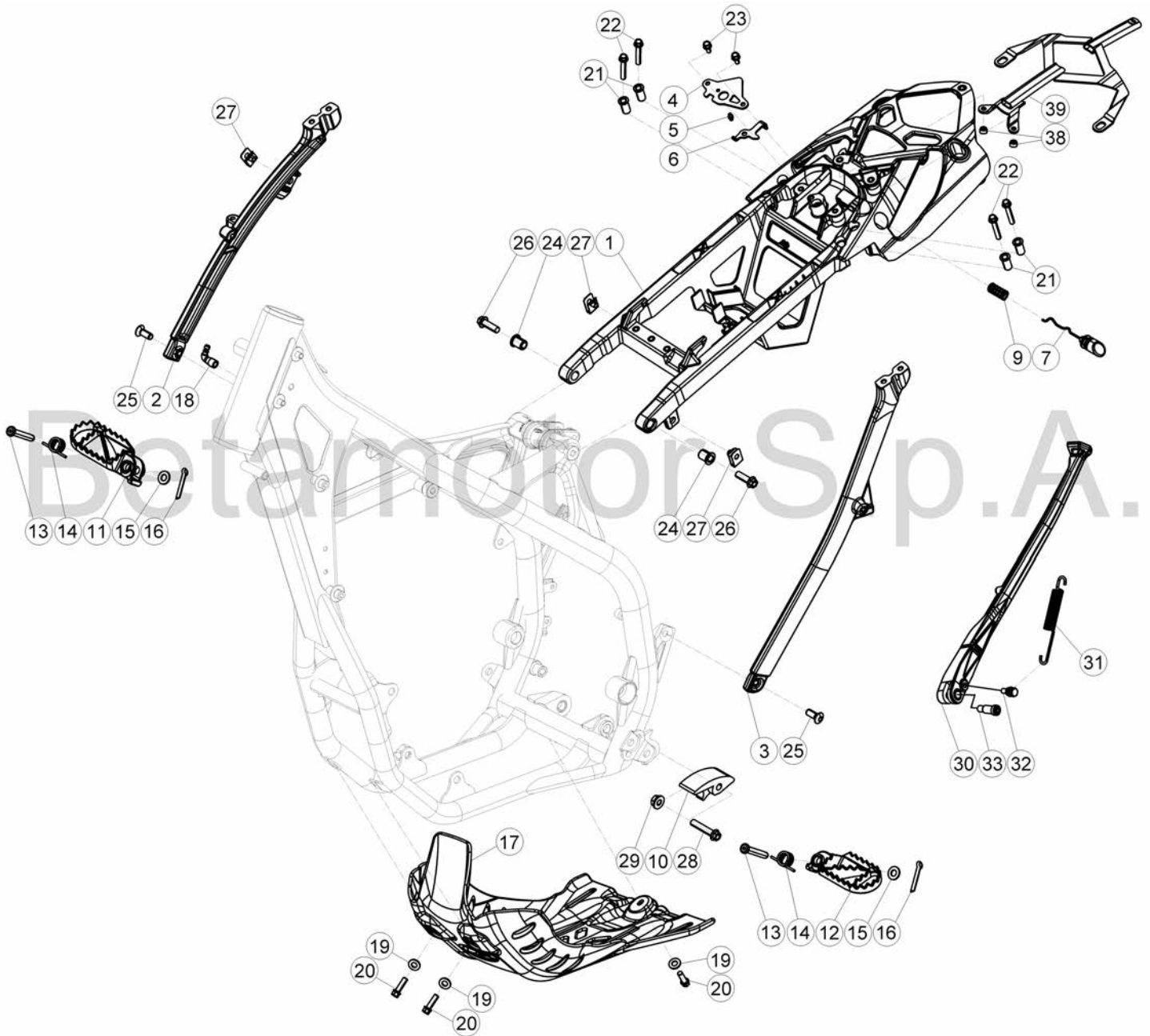
© Copyright 2018 Betamotor S.p.A.



Beta
motorcycles

Tav.31

| Pos Loc Ps Pos | Numero Number Numéro Número Nummer | Q.tà Q.ty Q.té M.ge C.ad | Nota Note Nota Anm. | Descrizione | Description | Dé signation | Beschreibung | Descrìpziòn |
|-------------------------|--|--------------------------------------|------------------------------|----------------------------|---------------------------------|----------------------------|------------------------------|---------------------------|
| 1 | 031.31.010.80.50 | 1 | | Telaio completo | Frame, assy | Chassis complet | Rahmen, kpl | Bastidor compl. |
| 2 | 12.99510.000 | 2 | | Cuscinetto conico 29x50x15 | Conical bearing 29x50x15 | Roulement conique 29x50x15 | Lager 29x50x15 | Cojnete conico 29x50x15 |
| 3 | 10.66935.000 | 1 | | Anello OR | O-Ring | Bague d' é tanché ité | O-Ring | Anillo OR |
| 4 | 020.31.039.00.00 | 1 | | Anello parapolvere | Dust cover | Disque pare-poussié re | Staubdeckel | Disco gurdapolvere |
| 5 | 031.31.016.22.00 | 1 | | Protezione cuscinetto | End Cap Bearing | Palier De Bielle | Lagerdeckel | Tapa Rodamiento |
| 6 | 11.64607.000 | 2 | | Perno motore | Engine pin | Axe moteur | Motorbolzen | Perno motor |
| 7 | 13.21060.000 | 2 | | Dado M10X1,25 | Nut M10X1,25 | Ecrou i M10X1,25 | Mutter M10X1,25 | Tuerca M10X1,25 |
| 8 | 25.60311.000 | 2 | | Piastrina elastica M6 | Spring plate M6 | Plaquette é lastique M6 | Plättchen M6 | Pletina elástica M6 |
| 9 | 28.85861.000 | 1 | | Serratura bloccasterzo | Security lock | Serrure blocage guidon | Lenkradschloss | Cerradura bloque manillar |
| 10 | 25.24441.000 | 1 | | Passacavo a scatto | Grommet | Passe-câ ble | Kabeldurchgang | Pasacables |
| 11 | 31.64060.000 | 2 | | Vite TBIB M8X16 | Screw TBIB M8X16 | Vis TBIB M8X16 | Schraube TBIB M8X16 | Tornillo TBIB M8X16 |
| 13 | 031.31.035.00.00 | 1 | | Tampone serbatoio | Buffer tank | Silentbloc ré servoir | Puffer tank | Silent-block deposito |
| 17 | 11.54521.000 | 2 | | Vite M8X16 | Screw M8X16 | Vis M8X16 | Schraube M8X16 | Tornillo M8X16 |
| 18 | 27.49500.000 | 1 | | Rondella | Washer | Rondelle | U.Scheibe | Arandela |
| 19 | 13.17120.000 | 1 | | Dado M8 | Nut M8 | Ecrou M8 | Mutter M8 | Tuerca M8 |
| 20 | 020.31.144.00.00 | 1 | | Staffa fiss. testa dx. | R.H. cylinder head sec. Bracket | Bride fix. Culasse D. | Kopfbefestigungshalterung R. | Brida fij. culata der. |
| 21 | 020.31.145.00.00 | 1 | | Staffa fiss. testa sx. | L.H. cylinder head sec. Bracket | Bride fix. Culasse G. | Kopfbefestigungshalterung L. | Brida fij. culata izq. |
| 22 | 11.55970.000 | 1 | | Bullone M8x65 | Bolt M8x65 | Boulon M8x65 | Bolzen M8x65 | Tornillo M8x65 |
| 23 | 11.54521.000 | 2 | | Vite M8X16 | Screw M8X16 | Vis M8X16 | Schraube M8X16 | Tornillo M8X16 |
| 24 | 031.32.007.00.00 | 1 | | Anello di tenuta | Oil seal | Joint spie | Dichtring | Reté n de aceite |
| 25 | 031.40.126.22.00 | 1 | | Staffa | Bracket | Bride | Halterung | Brida |
| 26 | 11.47015.000 | 1 | | Bullone M6x12 RS CH8 | Bolt M6x12 RS CH8 | Boulon M6x12 RS CH8 | Bolzen M6x12 RS CH8 | Tornillo M6x12 RS CH8 |
| 27 | 13.16000.000 | 1 | | Dado M8.6 CH13 | Nut M8.6 CH13 | Ecrou M8.6 CH13 | Mutter M8.6 CH13 | Tuerca M8.6 CH13 |



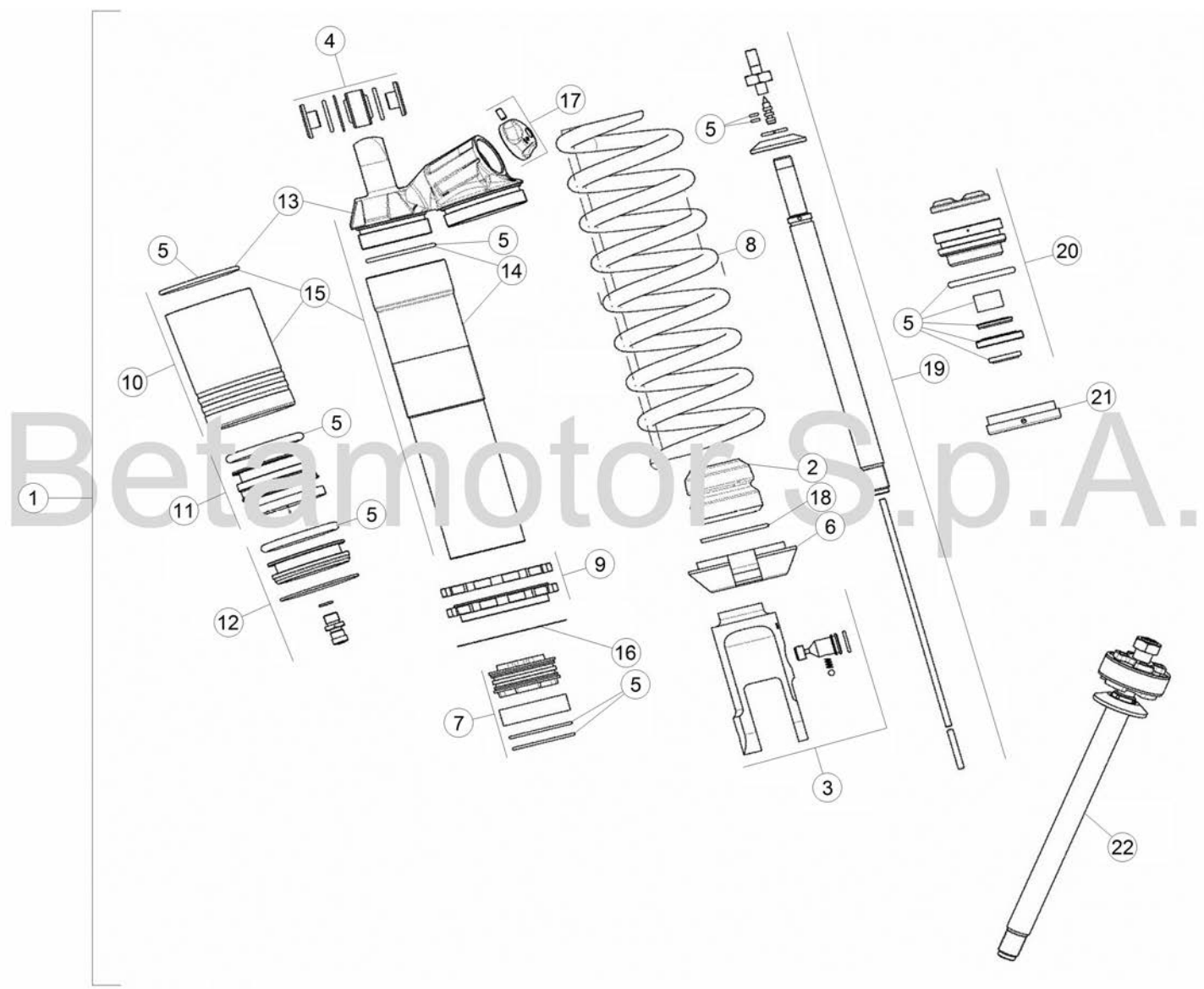
© Copyright 2017 Betamotor S.p.A.



Tav.32

| Pos Loc Ps Pos | Numero Number Numéro Nummer | Q.tà Q.ty Q.té M.ge C.ad | Nota Note Nota Anm. | Descrizione | Description | Dé signation | Beschreibung | Descrìpziò n |
|----------------|-----------------------------|--------------------------|---------------------|---------------------------------------|----------------------------|-----------------------------------|-----------------------------------|-----------------------------------|
| 1 | 031.32.008.37.51 | 1 | | Telaio superiore | Upper small frame | Châ ssis sup. | Kleiner Rahmen oben | Chasis sup. |
| 2 | 020.32.100.00.59 | 1 | | Braccetto telaietto Dx | RH link arm | Bras jonction droit | Strebe, rechts | Brazo conexion der. |
| 3 | 020.32.027.42.59 | 1 | | Attacco telaio posteriore sx | Rear LH frame fastening | Fixation châ ssis arriè re gauche | Rahmen befestigung hinten links | Enganche bastidor trasero izq. |
| 4 | 020.32.010.00.05 | 1 | | Piastra fissaggio serratura | Lock sec. Plate | Plaque fix. Serrure | Befestigungsplatte Schloß | Chapa fij. cerradura |
| 5 | 020.32.112.00.00 | 1 | | Perno serratura | Pin | Pivot | Zapfen | Perno |
| 6 | 020.32.011.00.05 | 1 | | Piastra ritegno serratura | Plate | Plaque | Schild | Placa |
| 7 | 020.32.013.80.51 | 1 | | Bottone serratura | Lock knob | Bouton serrure | Knopf Schloß | Boton cerradura |
| 9 | 020.32.016.00.00 | 1 | | Molla | Spring | Ressort | Feder | Muelle |
| 10 | 25.25601.000 | 1 | | Pattino catena | Chain shoe | Doigt chaine | Gleitauflage | Patí n cadena |
| 11 | 25.32521.000 | 1 | | Pedana dx. | Rubber mat R.H. | Tapis d. | Fußblech rechts | Estribo der. |
| 12 | 25.32531.000 | 1 | | Pedana sx. | Rubber mat L.H. | Tapis g. | Fußblech links | Estribo izq. |
| 13 | 25.54465.000 | 2 | | Perno pedana | Footrest pin | Pivot repose-pied | Rasten Pin | Eje estribera |
| 14 | 016.32.020.00.00 | 2 | | Molla pedanina | Foot rest spring | Ressort repose-pied | Fußblechfeder | Muelle estribo |
| 15 | 031.32.001.00.00 | 2 | | Rondella 10x21x2 | Washer 10x21x2 | Rondelle 10x21x2 | Scheibe 10x21x2 | Arandela 10x21x2 |
| 16 | 12.81993.000 | 2 | | Copiglia 3x20 | Split pin 3x20 | Goupille 3x20 | Splint 3x20 | Grupilla 3x20 |
| 17 | 031.32.005.00.59 | 1 | | Protezione motore | Engine protection | Protection moteur | Motorschutz | Protección n motor |
| 18 | 27.23470.000 | 1 | | Raccordo per sfiato | Breather pipe | Raccord pour vidange | Entlüftungsrohranschluß | Racor para ventilació n |
| 19 | 27.42000.000 | 3 | | Rondella 6.18 | Washer 6.18 | Rondelle 6.18 | U.Scheibe 6.18 | Arandela 6.18 |
| 20 | 11.49070.000 | 3 | | Bullone 6x20 ch rs | Bolt 6x20 ch rs | Boulon 6x20 ch rs | Bolzen 6x20 ch rs | Tornillo 6x20 ch rs |
| 21 | 020.32.004.00.00 | 4 | | Boccola superiore | Upper bush | Douille supé rieure | Obere Buchse | Casquillo superior |
| 22 | 11.50355.000 | 4 | | Bullone M6x35 | Bolt M6x35 | Boulon M6x35 | Bolzen M6x35 | Tornillo M6x35 |
| 23 | 31.29810.000 | 2 | | Vite M5X12 | Screw M5X12 | Vis M5X12 | Schraube M5X12 | Tornillo M5X12 |
| 24 | 020.32.003.00.00 | 2 | | Boccola anteriore | Front bush | Douille avant | Vordere Buchse | Casquillo delantero |
| 25 | 007.32.032.00.00 | 2 | | Vite speciale TSBEI M8x20 | Special screw TSBEI M8x20 | Vis spé ciale TSBEI M8x20 | Spezialschraube TSBEI M8x20 | Tornillo especial TSBEI M8x20 |
| 26 | 31.64070.000 | 2 | | Vite flangiata 8x30 | Flanged screw 8x30 | Vis à brides 8x30 | Flanschschraube 8x30 | Tornillo rebordeado 8x30 |
| 27 | 25.60311.000 | 3 | | Piastrina elastica M6 | Spring plate M6 | Plaque é lastique M6 | Plättchen M6 | Pletina elástica M6 |
| 28 | 11.55480.000 | 1 | | Vite M8x40 | Screw M8x40 | Vis M8x40 | Schraube M8x40 | Tornillo M8x40 |
| 29 | 13.17020.000 | 1 | | Dado autoblocc. Basso M8 | Nut M8 | Ecrou M8 | Mutter M8 | Tuerca M8 |
| 30 | 031.32.070.00.00 | 1 | | Cavalletto | Central stand | Bé quille | Kippständer | Caballete |
| 31 | 020.32.026.00.00 | 1 | | Molla cavalletto | Central stand spring | Ressort bé quille | Feder Kippständer | Muelle caballete |
| 32 | 11.66615.000 | 1 | | Bullone spec. piastra cavalletto | Central stand special bolt | Boulon spec. plaque bé q. | Spezialschraube Kippständerplatte | Tornillo especial chapa caballete |
| 33 | 11.66614.000 | 1 | | Bullone spec. cavalletto | Special bolt | Boulon spec. | Spezialschraube | Tornillo especial |
| 38 | 13.12610.000 | 2 | | Dado autoagganciante PS.M6.3 | Self-clinching nut PS.M6.3 | Ecrou à sertir PS.M6.3 | Einpressmutter PS.M6.3 | Tuerca remachable PS.M6.3 |
| 39 | 031.32.078.40.59 | 1 | | Telaietto di irrigidimento posteriore | Rear frame | Châ ssis arriè re | Kleiner Rahmen hinten | Chasis trasero |

Tav.33A



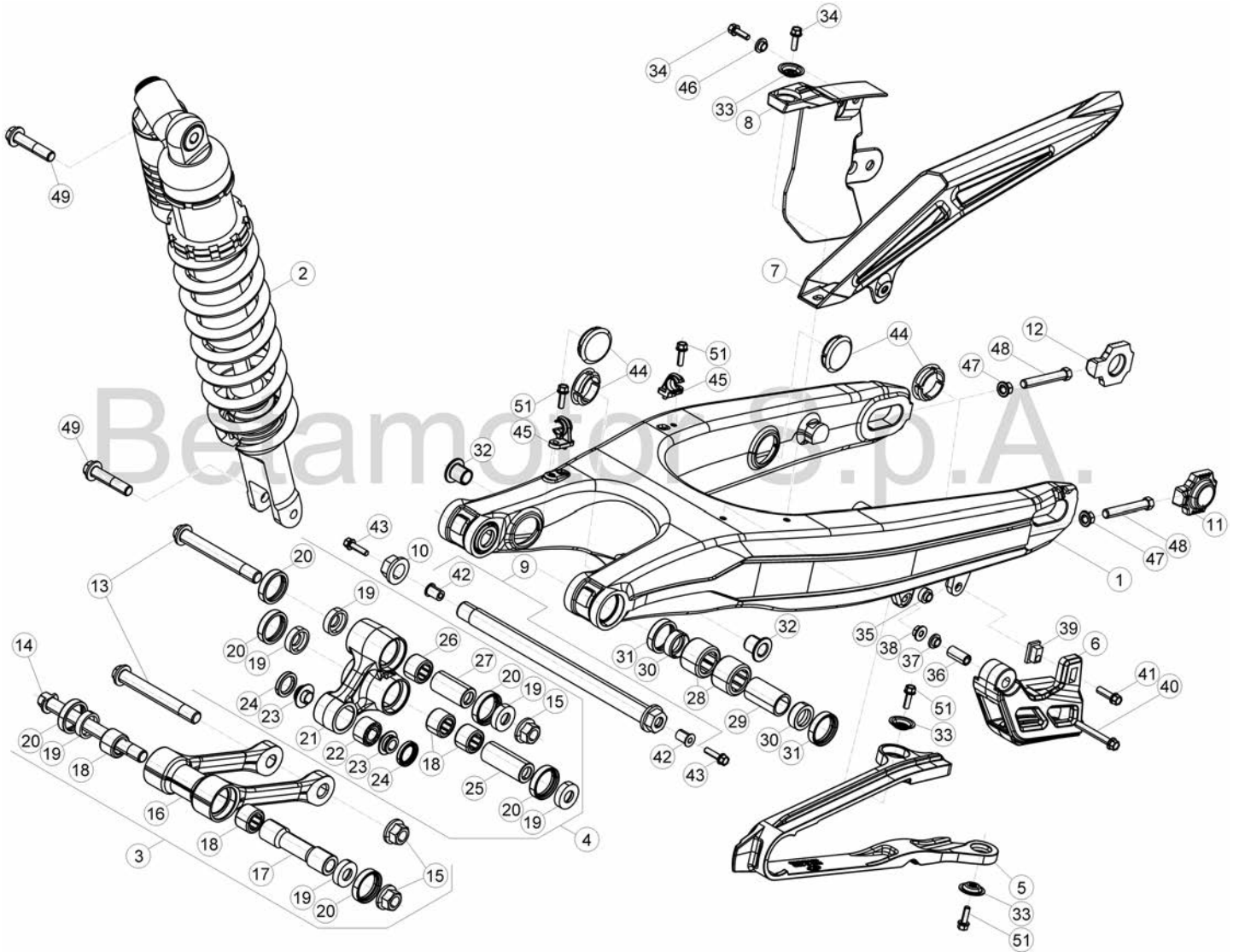
© Copyright 2018 Betamotor S.p.A.



Tav.33A

| Pos Loc Ps Pos | Numero Number Numéro Número Nummer | Q.tà Q.ty Q.té M.ge C.ad | Nota Note Nota Anm. | Descrizione | Description | Dé signation | Beschreibung | Descrìpziòn |
|-------------------------|--|--------------------------------------|------------------------------|--------------------------------|--------------------------------|--------------------------------|---------------------------------|---------------------------------|
| 1 | 031.33.025.80.00 | 1 | | Ammortizzatore completo | Shock absorber assembly | Amortisseur complet | Stoßdämpfer komplett | Amortiguador completo |
| 2 | 020.33.141.00.00 | 1 | | Tampone | Buffer | Silentbloc | Puffer | Silent-block |
| 3 | 026.33.023.00.00 | 1 | | Gruppo forchetta | Shock absorber inf. Connection | Fxation inférieure amortisseur | Untere Befestigung Stossdämpfer | Fijador inferior amortiguador |
| 4 | 13.86078.800 | 1 | | Kit distanziali ammortizzatore | Damper spacer kit | Jeu entretoises amortisseur | Kit Stoßdämpfer Distanz | Juego distanciador amortiguador |
| 5 | 026.33.015.82.00 | 1 | | Guarnizione - kit | Packing - kit | Joint - Jeu | Dichtungssatz | Junta - kit |
| 6 | 15.39110.000 | 1 | | Fondello | Cup | Godet | Deckel | Cazoleta |
| 7 | 026.33.020.00.00 | 1 | | Pistone | Piston | Piston | Kolben | Pistón |
| 8 | 031.33.026.00.00 | 1 | | Molla | Spring | Ressort | Feder | Muelle |
| 9 | 026.33.019.00.00 | 1 | | Ghiera ammortizzatore | Damper adjusting ring nut | Collier de réglage amortisseur | Einstellwinge Stoßdämpfer | Virola ajuste amortiguador |
| 10 | 026.33.012.00.00 | 1 | | Serbatoio ammortizzatore | Shock absorber tank | Réervoir de l'amortisseur | Gasbehälter für Stoßdämpfer | Depósito amortiguador |
| 11 | 026.33.013.00.00 | 1 | | Membrana | Diaphragm | Membrane | Membrane | Membrana |
| 12 | 026.33.014.00.00 | 1 | | Tappo | Plug | Bouchon | Verschluß | Tapón |
| 13 | 026.33.016.00.00 | 1 | | Tappo | Plug | Bouchon | Verschluß | Tapón |
| 14 | 026.33.017.00.00 | 1 | | Corpo ammortizzatore | Damper body | Corps de l'amortisseur | Dämpfungskörper | Cuerpo amortiguador |
| 15 | 026.33.018.00.00 | 1 | | Corpo ammortizzatore | Damper body | Corps de l'amortisseur | Dämpfungskörper | Cuerpo amortiguador |
| 16 | 031.33.012.00.00 | 1 | | Rosetta | Washer | Rondelle | Federring | Arandela |
| 17 | 026.33.021.00.00 | 1 | | Registro | Brake ad. sc. | Vis régl. fr. | Einstellschraube | Tornillo de reg. |
| 18 | 031.33.014.00.00 | 1 | | Rondella | Washer | Rondelle | U.Scheibe | Arandela |
| 19 | 026.33.024.00.00 | 1 | | Stelo | Stem | Tige | Stange | Varilla |
| 20 | 026.33.025.00.00 | 1 | | Guida | Rail | Guide | Führung | Guía |
| 21 | 026.33.026.00.00 | 1 | | Tappo | Plug | Bouchon | Verschluß | Tapón |
| 22 | 026.33.027.80.00 | 1 | | Stelo completo | Operating rod, assy. | Tige compl. | Kolbenstange, kompl. | Varilla completa |

Tav.33B



© Copyright 2017 Betamotor S.p.A.

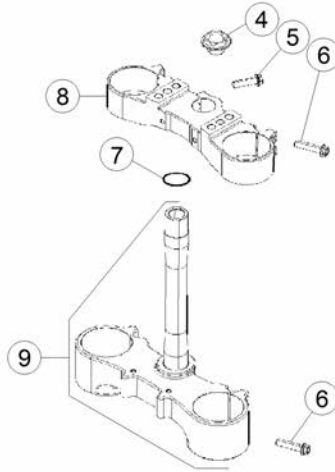
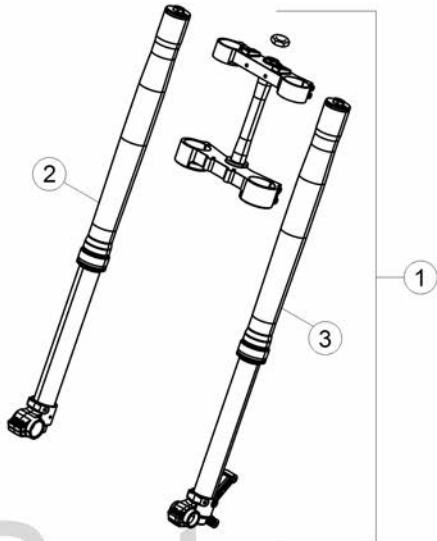


Beta
motorcycles

Tav.33B

| Pos Loc Ps Pos | Numero Number Numéro Nummer | Q.tà Q.ty Q.té M.ge C.ad | Nota Note Note Anm. | Descrizione | Description | Dé signation | Beschreibung | Descrìpziò n |
|----------------|-----------------------------|--------------------------|---------------------|-------------------------------------|-------------------------|-------------------------------------|----------------------------------|---------------------------------------|
| 1 | 031.33.019.00.59 | 1 | | Forcellone | Big fork | Fourche | Radschwinge | Horquilla |
| 2 | 031.33.025.80.00 | 1 | | Ammortizzatore | Damper | Amortisseur | Stoßdämpfer | Amortiguador |
| 3 | 020.33.030.80.00 | 1 | | Biellecca | Connecting rod | Biellette | Bolzensange | Bielecca |
| 4 | 020.33.020.80.00 | 1 | | Bilanciere | Lever | Balancier | Kipphebel | Balancin |
| 5 | 020.33.015.00.00 | 1 | | Tassello guidacatena super. | Upper sliding block | Cheville guide de chaîne sup. | Schwingschleifklotz oben | Protector catena superior |
| 6 | 29.10071.000 | 1 | | Tassello guidacatena infer. | Lower sliding block | Cheville guide de chaîne inf. | Schwingschleifklotz unten | Protector catena inferior |
| 7 | 12.88591.159 | 1 | | Copricatena superiore | Up. Chain cover | Couvre-chaîne superieur | Kettenschutz oben | Cubrecadena superior |
| 8 | 12.88594.159 | 1 | | Copricatena inferiore | Lower chain cover | Couvre-chaîne inferieur | Kettenschutz unten | Cubrecadena inferior |
| 9 | 031.33.142.80.00 | 1 | | Perno forcellone | Swingarm pivot | Axe fourche AR. | Schwingbolzen | Eje basculante |
| 10 | 13.27121.000 | 1 | | Dado speciale | Special nut | Ecrou spéciale | Spezialmutter | Tuerca especial |
| 11 | 29.11866.100 | 1 | | Tendicatena SX | Chain adjuster L. | Tendeur de chaîne G. | Kettenspanne L. | Tensor de cadena l. |
| 12 | 29.11865.100 | 1 | | Tendicatena DX | Chain adjuster R. | Tendeur de chaîne D. | Kettenspanner R. | Tensor de cadena D. |
| 13 | 11.63992.000 | 2 | | Vite speciale M12 | Special screw M12 | Vis spéciale M12 | Spezialschraube M12 | Tornillo especial M12 |
| 14 | 020.33.032.00.00 | 1 | | Vite speciale M12 | Special screw M12 | Vis spéciale M12 | Spezialschraube M12 | Tornillo especial M12 |
| 15 | 13.21130.000 | 3 | | Dado autobloccante M12 | Self locking nut M12 | Ecrou de sécurité M12 | Mutter, selbstsichernd M12 | Tuerca de seguridad M12 |
| 16 | 020.33.030.00.00 | 1 | | Biellecca | Connecting rod | Biellette | Bolzensange | Bielecca |
| 17 | 020.33.031.00.00 | 1 | | Distanziale | Spacer | Entretoise | Distanzstück | Distanciadador |
| 18 | 11.22055.000 | 4 | | Boccola a rulli 20x26x16 | Roller bearing 20x26x16 | Douille à roulements 20x26x16 | Rollenbuchse 20x26x16 | Caja de grasa de rodillos 20x26x16 |
| 19 | 28.14083.000 | 6 | | Scodellino | Stop washer | Rondelle d'ar | Federaufnahme | Platillo |
| 20 | 10.64481.000 | 6 | | Paraolio | Oil seal | Pare-huile | Dichtring | Sello de lub. |
| 21 | 020.33.020.00.00 | 1 | | Bilanciere | Lever | Balancier | Kipphebel | Balancin |
| 22 | 16.17310.000 | 1 | | Boccola a rulli 12x24x30 | Roller bearing 12x24x30 | Douille à roulements 12x24x30 | Rollenbuchse 12x24x30 | Caja de grasa de rodillos 12x24x30 |
| 23 | 11.21920.000 | 2 | | Boccola | Bush | Moyeu | Büchse | Buje |
| 24 | 10.56020.000 | 2 | | Paraolio 16x24x4 | Oil seal 16x24x4 | Pare-huile 16x24x4 | Dichtring 16x24x4 | Sello de lub. 16x24x4 |
| 25 | 13.62813.000 | 1 | | Distanziale 12x20x50 | Spacer 12x20x50 | Entretoise 12x20x50 | Distanzstück 12x20x50 | Distanciadador 12x20x50 |
| 26 | 11.22061.000 | 1 | | Boccola a rulli 20x26x30 | Roller bearing 20x26x30 | Douille à roulements 20x26x30 | Rollenbuchse 20x26x30 | Caja de grasa de rodillos 20x26x30 |
| 27 | 13.62812.000 | 1 | | Distanziale 12x20x40 | Spacer 12x20x40 | Entretoise 12x20x40 | Distanzstück 12x20x40 | Distanciadador 12x20x40 |
| 28 | 11.22056.000 | 4 | | Boccola a rullini 22x28x12 | Roller cage 22x28x12 | Cage Aiguille 22x28x12 | Rollenkäfig 22x28x12 | Jaula rodillos 22x28x12 |
| 29 | 13.49183.000 | 2 | | Distanziale forcellone | Big fork spacer | Entretoise fourche | Distanzstück Radschwinge | Distanciadador horquilla |
| 30 | 28.14081.000 | 4 | | Scodellino | Stop washer | Rondelle d'ar | Federaufnahme | Platillo |
| 31 | 10.64481.000 | 4 | | Paraolio | Oil seal | Pare-huile | Dichtring | Sello de lub. |
| 32 | 020.33.001.00.00 | 2 | | Boccola | Bush | Moyeu | Büchse | Buje |
| 33 | 27.74786.000 | 3 | | Rondella bombata | Kasher | Rondelle | Scheibe | Arandela |
| 34 | 11.46360.000 | 2 | | Bullone flangiato M5x16 | Head Flanged bolt M5x16 | Boulon Bridé M5x16 | Bundbolzen M5x16 | Bulón con Brida M5x16 |
| 35 | 13.12610.000 | 1 | | Dado | Nut | Ecrou | Mutter | Tuerca |
| 36 | 13.49191.000 | 1 | | Distanziale | Spacer | Entretoise | Distanzstück | Distanciadador |
| 37 | 13.54820.000 | 1 | | Distanziale 6,5x9,0x13,5 | Spacer 6,5x9,0x13,5 | Entretoise 6,5x9,0x13,5 | Distanzstück 6,5x9,0x13,5 | Distanciadador 6,5x9,0x13,5 |
| 38 | 13.13020.000 | 1 | | Dado autobloccante M6 | Self locking nut M6 | Ecrou de sécurité M6 | Mutter, selbstsichernd M6 | Tuerca de seguridad M6 |
| 39 | 13.48868.000 | 1 | | Distanziale tassello guidacatena | Sliding block spacer | Entretoise cheville guide de chaîne | Abstandstück Schwingschleifklotz | Separador protector cadena/basculante |
| 40 | 11.05535.000 | 1 | | Bullone 6.50 rs ch 8 | Bolt 6.50 rs ch 8 | Boulon 6.50 rs ch 8 | Bolzen 6.50 rs ch 8 | Tornillo 6.50 rs ch 8 |
| 41 | 11.49070.000 | 1 | | Bullone 6x20 ch rs | Bolt 6x20 ch rs | Boulon 6x20 ch rs | Bolzen 6x20 ch rs | Tornillo 6x20 ch rs |
| 42 | 27.33740.000 | 2 | | Rivetto filettato M6 | Threaded rivet M6 | Rivet fileté M6 | Niete mit gewinde M6 | Remache roscado |
| 43 | 11.46401.000 | 2 | | Bullone M5x20 | Bolt M5x20 | Boulon M5x20 | Bolzen M5x20 | Tornillo M5x20 |
| 44 | 29.10596.136 | 4 | | Tappo forcellone D30 | Big fork plug D30 | Bouchon fourche D30 | Radschwinge verschluß D30 | Tapón horquilla D30 |
| 45 | 15.14605.000 | 2 | | Passatubo | Grommet | Passe-tube | Rohrdurchgang | Pasa-tubo |
| 46 | 13.54820.000 | 1 | | Distanziale 6,5x9,0x13,5 | Spacer 6,5x9,0x13,5 | Entretoise 6,5x9,0x13,5 | Distanzstück 6,5x9,0x13,5 | Distanciadador 6,5x9,0x13,5 |
| 47 | 13.17122.000 | 2 | | Dado speciale M8 CH 13 | Special nut M8 CH 13 | Ecrou spéciale M8 CH 13 | Spezialmutter M8 CH 13 | Tuerca especial M8 CH 13 |
| 48 | 11.55909.000 | 2 | | Bullone M8x55 | Bolt M8x55 | Boulon M8x55 | Bolzen M8x55 | Tornillo M8x55 |
| 49 | 11.62050.000 | 2 | | Bullone fiss. ammortizzatore M10x45 | Damper sec. bolt M10x45 | Boulon fix. amortisseur M10x45 | Befestigungsbolzen M10x45 | Tornillo fij amortiguador M10x45 |
| 51 | 11.46251.000 | 4 | | Bullone flangiato M5x12 | Head Flanged bolt M5x12 | Boulon Bridé M5x12 | Bundbolzen M5x12 | Bulón con Brida M5x12 |

Tav.34



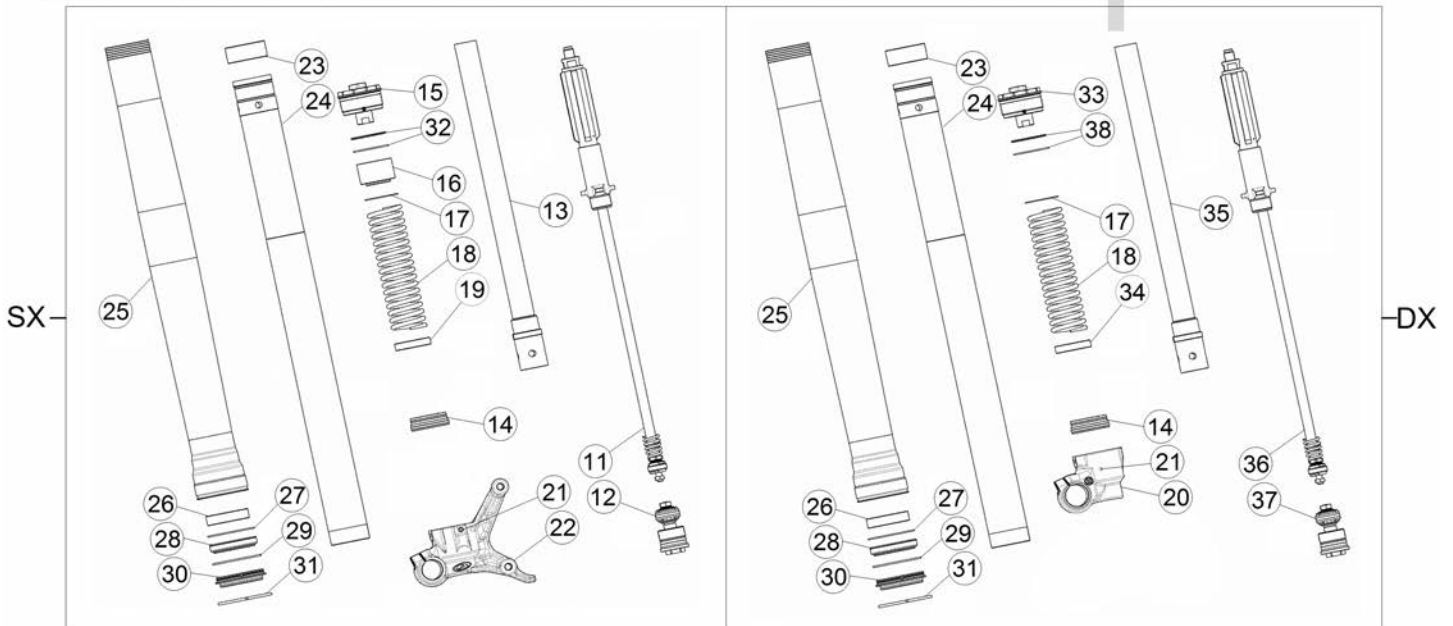


- Olio forcella
- Fork oil
- Gabelöl
- Huile de fourche
- Aceite de horquilla

BETA consiglia:
 BETA recommends:
 BETA empfiehlt:
 BETA recommande:
 BETA recomienda:

SAE 5

Betamotor S.p.A.

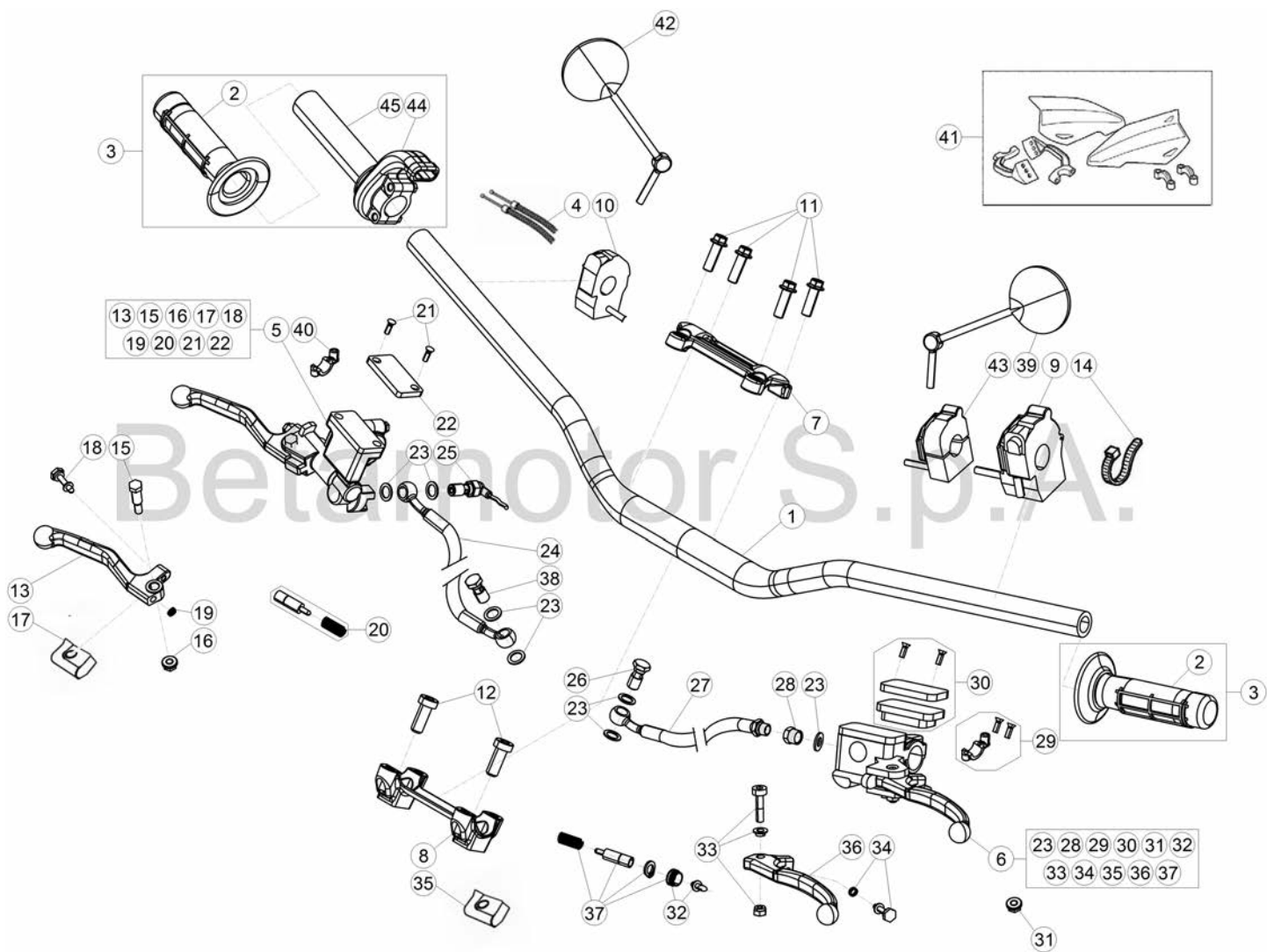


© Copyright 2018 Betamotor S.p.A.

Tav.34

| Pos Loc Pos Ps Pos | Numero Number Numéro Número Nummer | Q.tà Q.ty Q.té M.ge C.ad | Nota Note Note Nota Anm. | Descrizione | Description | Désignation | Beschreibung | Descripció n |
|--------------------------------|--|--------------------------------------|--------------------------------------|--------------------------------|-------------------------------|--|--------------------------------|----------------------------------|
| 1 | 031.34.065.82.00 | 1 | | Forcella | Fork | Fourche | Gabel | Horquilla |
| 2 | 031.34.066.80.00 | 1 | | Gamba dx | RH leg | Tube D. | Rechte Beineinheit | Pata derecha |
| 3 | 031.34.067.80.00 | 1 | | Gamba sx | LH leg | Tube G. | Linke Beineinheit | Pata izquierda |
| 4 | 020.34.004.00.00 | 1 | | Dado 20X1,5 | Nut 20X1,5 | Ecrou 20X1,5 | Mutter 20X1,5 | Tuerca 20X1,5 |
| 5 | 11.55440.000 | 1 | | Bullone 8x30 ch10 rs | Bolt 8x30 ch10 rs | Boulon 8x30 ch10 rs | Bolzen 8x30 ch10 rs | Tornillo 8x30 ch10 rs |
| 6 | 11.55510.000 | 8 | | Bullone M8x40 | Bolt M8x40 | Boulon M8x40 | Bolzen M8x40 | Tornillo M8x40 |
| 7 | 10.66420.000 | 1 | | Anello OR 20,22,3,53 NBR | O-Ring 20,22,3,53 NBR | Bague d'é tanché ité 20,22,3,53 NBR | O-Ring 20,22,3,53 NBR | Anillo OR 20,22,3,53 NBR |
| 8 | 031.34.051.42.04 | 1 | | Piastra di sterzo superiore | Steering head | Tête de direction | Gabelkopf | Tija superior |
| 9 | 031.34.041.82.04 | 1 | | Piastra di sterzo inferiore | Steering crown with pin | Socle de direction avec pivot | Untere Gabelbrücke mit Bolzen | Base de direcció n con perno |
| 11 | 031.34.078.00.00 | 1 | | Gruppo estensione | Rebound unit | Ecrou groupe dé tente | Zugstufengruppe | Grupo rebote |
| 12 | 026.34.052.00.00 | 1 | | Gruppo compressione | Compression unit | Groupe compression | Druckstufengruppe | Grupo compresió n |
| 13 | 026.34.017.00.00 | 1 | | Tubo interno | Inner tube | Tube inté rieur | Gabel Innenrohr | Tubo interior |
| 14 | 020.34.313.00.00 | 2 | | Anello appoggio stelo + O-Ring | Stem supporting ring + O-Ring | Anneau appui tige + O-Ring | Anlagering für stange + O-Ring | Anillo de apoyo varilla + O-Ring |
| 15 | 026.34.053.00.00 | 1 | | Tappo | Plug | Bouchon | Verschluss | Tapó n |
| 16 | 026.34.358.00.00 | 1 | | Distanziale | Spacer | Entretoise | Distanzstück | Distanciator |
| 17 | 031.34.323.00.00 | 2 | | Rosetta | Washer | Rondelle | Federring | Arandela |
| 18 | 031.34.025.00.00 | 2 | | Molla | Spring | Ressort | Feder | Muelle |
| 19 | 031.34.026.00.00 | 1 | | Anello centraggio | Centering ring | Bague de centrage | Zentrierring | Anillo de centraje |
| 20 | 026.34.054.00.00 | 1 | | Piede forcella | Fork foot | Pied de fourche | Gabelfuß | Pata horquilla |
| 21 | 020.34.308.00.00 | 2 | | Grano | Dowel | Goujon | Stift | Clavija |
| 22 | 026.34.055.00.00 | 1 | | Piede forcella | Fork foot | Pied de fourche | Gabelfuß | Pata horquilla |
| 23 | 020.34.320.00.00 | 2 | | Boccola Ø49/47 L 20 | Bush Ø49/47 L 20 | Moyeu Ø49/47 L 20 | Bü chse Ø49/47 L 20 | Buje Ø49/47 L 20 |
| 24 | 031.34.021.00.00 | 2 | | Stelo | Stem | Tige | Stange | Varilla |
| 25 | 026.34.363.00.00 | 2 | | Fodero | Sleeve | Protection | Schutzstück | Protecció n |
| 26 | 031.34.020.00.00 | 2 | | Boccola ø52/48 L15 | Bush ø52/48 L15 | Moyeu ø52/48 L15 | Bü chse ø52/48 L15 | Buje ø52/48 L15 |
| 27 | 020.34.318.00.00 | 2 | | Distanziale | Spacer | Entretoise | Distanzstück | Distanciator |
| 28 | 020.34.317.00.00 | 2 | | Guarnizione | Packing | Joint | Dichtung | Junta |
| 29 | 020.34.316.00.00 | 2 | | Seeger Ø58,45 | Circlip Ø58,45 | Circlip Ø58,45 | Seeger Ø58,45 | Seeger Ø58,45 |
| 30 | 020.34.315.00.00 | 2 | | Raschiapolvere | Dust scraper | Graffe poussiere | Staubabstreifer | Esc. polvo |
| 31 | 026.34.364.00.00 | 2 | | Anello d'arresto | Check ring | Bague d'arrê t | Sicherungsring | Anillo de bloqueo |
| 32 | 031.34.023.00.00 | 1 | | Svincolo molla | Anti-friction spring | Anti-friction pour ressort | Anti-Reibungsfeder | Antifricció n muelle |
| 33 | 026.34.056.00.00 | 1 | | Tappo | Plug | Bouchon | Verschluss | Tapó n |
| 34 | 026.34.057.00.00 | 1 | | Anello | Ring | Circlips | Ring | Anillo |
| 35 | 026.34.058.00.00 | 1 | | Tubo | Tube | Tuyau | Schlauch | Tubo |
| 36 | 031.34.079.00.00 | 1 | | Gruppo estensione | Rebound unit | Ecrou groupe dé tente | Zugstufengruppe | Grupo rebote |
| 37 | 031.34.080.00.00 | 1 | | Gruppo compressione | Compression unit | Groupe compression | Druckstufengruppe | Grupo compresió n |
| 38 | 031.34.323.00.00 | 1 | | Rosetta | Washer | Rondelle | Federring | Arandela |


Tav.35



© Copyright 2018 Betamotor S.p.A.

Tav.35

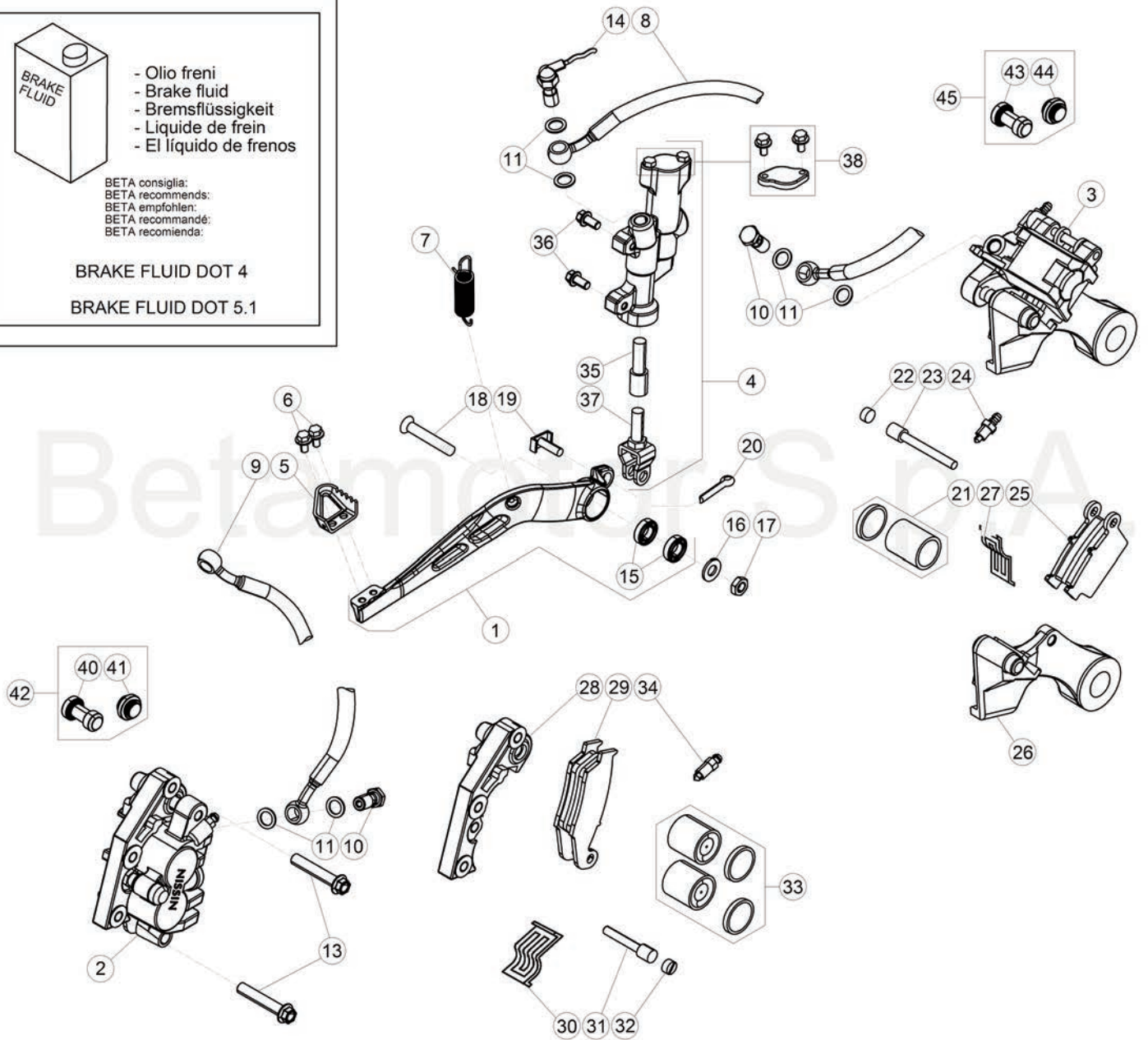
| Pos Loc Pos Ps Pos | Numero Number Numé ro Número Nummer | Q.tà Q.ty Q.té M.ge C.ad | Nota Note Note Nota Anm. | Descrizione | Description | Dé signation | Beschreibung | Descrìpziò n |
|--------------------------------|---|--------------------------------------|--------------------------------------|---|---|---|--|---|
| 1 | 026.35.000.00.59 | 1 | | Manubrio | Handlebars | Guidon | Lenker | Manillar |
| 2 | 036.35.005.00.00 | 1 | | Coppia manopole | Grips (couple) | Poigné es (couple) | Handgriffpaar | Manecilla (juego) |
| 3 | 031.35.012.80.00 | 1 | | Comando gas | Throttle control | Comm. gaz | Gasdrehgriff | Mando gas |
| 4 | 031.35.007.82.00 | 1 | | Trasmissione gas | Throttle transmiss. | Transmission gaz | Gaszug | Transmisiò n gas |
| 5 | 21.02057.059 | 1 | | Leva freno ant. | Fr. br. lever | Lev. fr. AV. | Vorderradbremshebel | Pal. fr. del. |
| 6 | 020.35.120.82.00 | 1 | | Leva comando frizione | Clutch control lever | Levier de commande embrayage | Kupplungshebel | Palanca mando embrague |
| 7 | 12.08253.000 | 1 | | Cavallotto superiore | Upper u bolt | Etrier sup. | Obere Brü cke | Brida sup. |
| 8 | 12.08263.000 | 1 | | Cavallotto inferiore | Lower u bolt | Etrier infé rieur | Untere Brü cke | Brida inferior |
| 9 | 016.35.010.00.00 | 1 | | Commutatore luci | Lights switch | Commutateur feux | Lichtschalter | Conmutador luces |
| 10 | 026.40.047.00.00 | 1 | | Dispositivo ON-OFF | ON-OFF device | Dispositif ON-OFF | Lichtschalter ON-OFF | Dispositivo ON-OFF |
| 11 | 31.64070.000 | 4 | | Vite flangiata 8x30 | Flanged screw 8x30 | Vis à brides 8x30 | Flanschschraube 8x30 | Tornillo rebordeado 8x30 |
| 12 | 31.65626.000 | 2 | | Vite a brugola M10 25 | Allen screw M10 25 | Vis à 6 pans M10 25 | Sechskantschraube M10 25 | Tornillo a llave allen M10 25 |
| 13 | 21.27104.000 | 1 | | Leva freno | Brake lever | Levier du frein | Bremshebel | Palanca de freno |
| 14 | 15.14264.000 | 1 | | Fascetta | Clamp | Collier | Schelle | Abrazadera |
| 15 | 31.96832.000 | 1 | | Vite leva freno | Brake lever screw | Vis levier frein | Bremshebelschraube | Vite leva freno |
| 16 | 13.30911.000 | 1 | | Dado | Nut | Ecrou | Mutter | Tuerca |
| 17 | 16.33841.000 | 1 | | Coprileva | Lever cover | Couvre levier | Hebeldeckel | Cubre-palanca |
| 18 | 31.88604.000 | 1 | | Vite regol. leva | Adjusting screw | Vis ré glage | Einstellschrauben | Tornillo reg. |
| 19 | 22.38704.000 | 1 | | Molla registro leva freno ant. | Front brake lever adjust spring | Ressort enregistrement levier | Regelfeder vorderradbremse | Muelle regul. bomba freno |
| 20 | 20.08258.000 | 1 | | Pistoncino completo pompa | Piston assy, pump | Piston compl. pompe | Kolben kplt. Pumpe | Piston completo bomba |
| 21 | 31.23410.052 | 2 | | Vite fiss. coperchio | Cover sec. screw | Vis de fix. couvercle | Schraube | Tornillo |
| 22 | 031.36.003.82.00 | 1 | | Coperchio pompa freno | Brake pump cover | Couvercle pompe frein | Deckel Brempumpe | Tapa bomba freno |
| 23 | 16.50510.000 | 8 | | Guarnizione 10x15x1 in rame | Gasket 10x15x1 copper | Joint 10x15x1 cuivre | Dichtung 10x15x1 Kupfer | Junta 10.15.1 (cobre) |
| 24 | 031.36.004.00.00 | 1 | | Tubo Freno Ant. | Front brake tube | Tuyau du frein AV. | Vordere Bremsleitung | Tubo freno delantero |
| 25 | 18.89621.000 | 1 | | Interruttore stop | Stop switch | Interrupteur stop | Stopschalter | Interruptor stop |
| 26 | 11.65040.000 | 1 | | Bullone forato 10x1 x tubo freno | Special bolt | Boulon 10x1 x tube frein | Hohlschraube F.Bremse | Tornillo esp. talad.10.1 |
| 27 | 020.35.021.00.00 | 1 | | Tubo frizione | Clutch tube | Canalisation embrague | Kupplungsrohr | Tubo embrague |
| 28 | 020.35.032.00.00 | 1 | | Raccordo | Joint | Raccord | Stutzen | Racor |
| 29 | 020.35.122.00.00 | 1 | | Cavallotto leva frizione con attacco specchio | Clutch lever u-bolt with mirror fastening | Etrier levier embrayage avec fixation retroviseur | Brü cke Kupplungshebel mit Befestigung für Rückspiegel | Brida palanca embrague con anclaje espejo |
| 30 | 020.35.023.00.00 | 1 | | Coperchio pompa frizione | Clutch pump cover | Couvercle pompe embrayage | Deckel Kupplungspumpe | Tapa bomba embrague |
| 31 | 020.35.028.00.00 | 1 | | Antiemulsione | Antiemulsion | Antiemulsion | Eulsionswidriger | Antiemulsion |
| 32 | 020.35.029.00.00 | 1 | | Puntalino leva pompa | Push piece | Piece de pression | Druckstück | Varilla de presión |
| 33 | 020.35.024.00.00 | 1 | | Perno leva | Lever pin | Goujon levier | Hebelstift | Perno palanca |
| 34 | 020.35.030.00.00 | 1 | | Guidamolla | Spring guide | Guide ressort | Federführung | Guia resorte |
| 35 | 020.35.027.00.00 | 1 | | Gomma protezione leva | Lever protection grommet | Caoutchouc protection levier | Gummi Hebelschutz | Goma protección palanca |
| 36 | 020.35.022.00.00 | 1 | | Leva frizione nuda | Clutch lever, only | Levier d' embrayage nue | Kupplungshebel | Palanca embrague |
| 37 | 020.35.026.00.00 | 1 | | Kit pistoncino pompa | Piston kit master cyl. | Kit piston. maî tre cyl. | Kolbensatz hauptbremszylinder | Kit pistò n bomba |
| 38 | 11.65053.000 | 1 | | Bullone forato 10x1,25 | Special bolt 10x1,25 | Boulon 10x1,25 tube frein | Hohlschraube F.Bremse 10x1,25 | Tornillo esp. talad. 10x1,25 |
| 39 | 28.92925.000 | 1 | | Specchio retrovisore sx. | LH rear view mirror | Retroviser gauche | Rückspiegel links | Espejo retrovisor izquierdo |
| 40 | 12.30100.000 | 1 | | Cavallotto leva freno con attacco specchio | Brake lever u-bolt with mirror fastening | Etrier levier frein avec fixation retroviseur | Brü cke Bremshebel mit Befestigung für Rückspiegel | Brida palanca freno con anclaje espejo |
| 41 | 026.46.005.82.51 | 1 | | Kit paramani | Hand guards kit | Kit pare-mains | Kit Handschutz | Kit para manos |
| 42 | 28.92927.000 | 1 | | Specchio retrovisore dx. | R.H. rear mirror | Ré troviseur dr. | Rückspiegel R. | Retrovisor der. |
| 43 | 031.40.003.00.00 | 1 | | Dispositivo switch mappa CDI | Switch for double map CDI | Selecteur mappe CDI | Mappingschalter CDI | Conmutador para cambiar el mapa del CDI |
| 44 | 031.35.013.00.00 | 1 | | Protezione | Protection | Protection | Schutz | Protección |
| 45 | 031.35.011.00.00 | 1 | | Tubo | Pipe | Tuyau | Leitung | Tubo |



- Olio freni
- Brake fluid
- Bremsflüssigkeit
- Liquide de frein
- El líquido de frenos

BETA consiglia:
 BETA recommends:
 BETA empfohlen:
 BETA recommande:
 BETA recomienda:

BRAKE FLUID DOT 4
BRAKE FLUID DOT 5.1

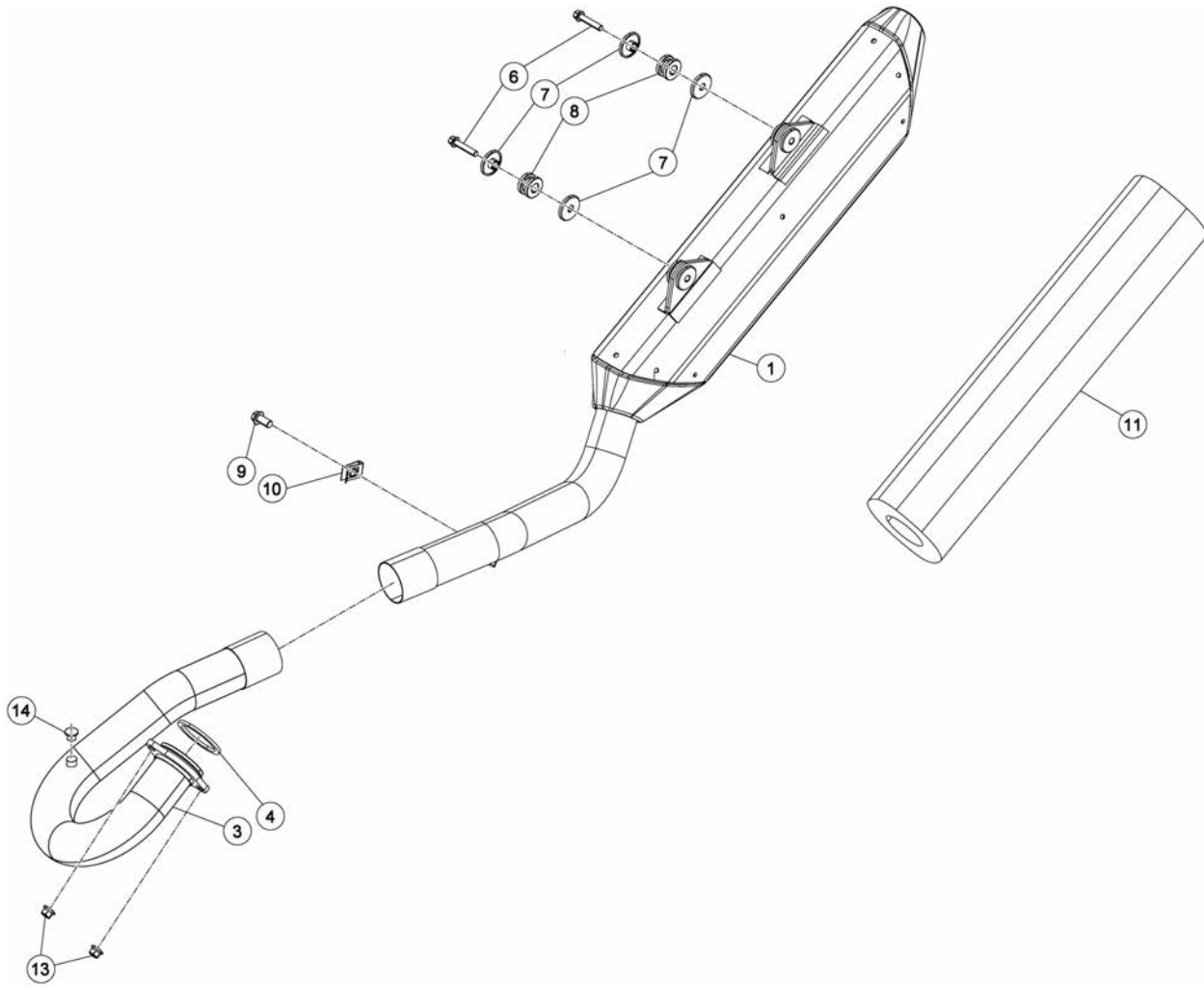


© Copyright 2018 Betamotor S.p.A.

Tav.36

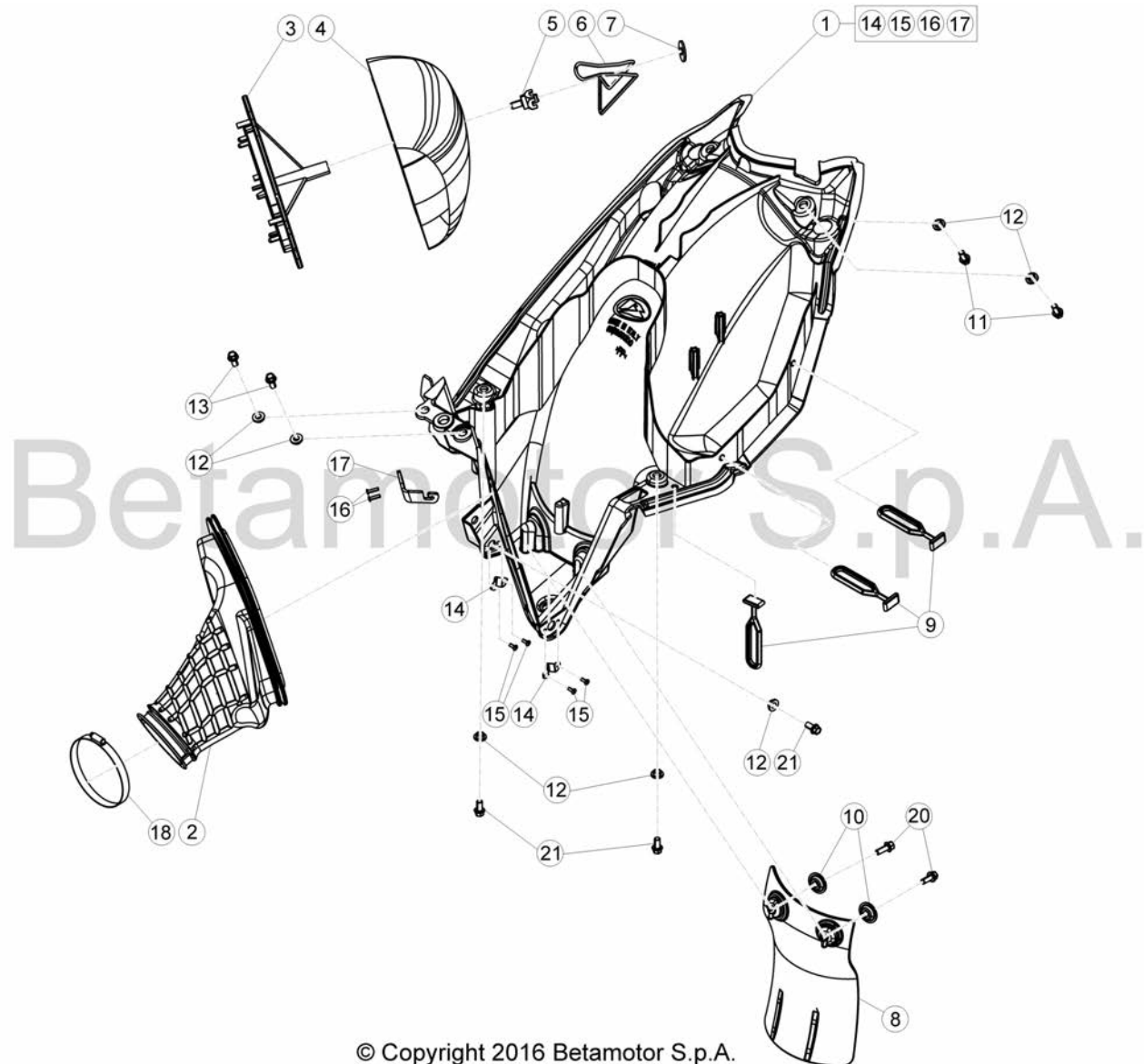
| Pos Loc Pos Ps Pos | Numero Number Numéro Número Nummer | Q.tà Q.ty Q.té M.ge C.ad | Nota Note Note Nota Anm. | Descrizione | Description | Dé signation | Beschreibung | Descrìpziò n |
|--------------------------------|--|--------------------------------------|--------------------------------------|---------------------------------|------------------------------|----------------------------------|--|---------------------------------|
| 1 | 020.36.001.80.00 | 1 | | Pedale freno | Brake pedal | Pé dale frein | Fussbremspedal | Pedal freno |
| 2 | 25.03056.000 | 1 | | Pinza freno anteriore | Front disk brake caliper | Etrier de frein AV. | Bremszange-Scheibe | Pinza freno del. |
| 3 | 25.03066.000 | 1 | | Pinza freno posteriore | Rear disk brake caliper | Etrier de frein AR. | Bremszange | Pinza del freno tras. |
| 4 | 25.91178.000 | 1 | | Pompa freno posteriore | Rear brake cylinder | Maî tre cylindre frein ar. | Hauptbremszylinder Hinterradbremse | Bomba freno trasero |
| 5 | 22.90053.000 | 1 | | Mozzetto | Hub | Moyeu | Nabe | Cubo |
| 6 | 11.46251.000 | 2 | | Bullone flangiato M5x12 | Head Flanged bolt M5x12 | Boulon Bridé M5x12 | Bundbolzen M5x12 | Bulón con Brida M5x12 |
| 7 | 026.36.000.00.00 | 1 | | Molla ritorno pedale freno | Brake pedal spring | Ressort Pé dale Frein | Feder Fussbremspedal | Muelle pedal de freno |
| 8 | 29.09428.000 | 1 | | Tube Freno Posteriore | Rear brake tube | Tuyau du frein AR. | Hintere Bremsleitung | Tube freno trasero |
| 9 | 031.36.004.00.00 | 1 | | Tube Freno Ant. | Front brake tube | Tuyau du frein AV. | Vordere Bremsleitung | Tube freno delantero |
| 10 | 11.65053.000 | 2 | | Bullone forato 10x1,25 | Pierced bolt 10x1,25 | Boulon avec trou 10x1,25 | Bolzen 10x1,25 | Tornillo 10x1,25 |
| 11 | 16.50510.000 | 6 | | Guarnizione 10x15x1 in rame | Gasket 10x15x1 copper | Joint 10x15x1 cuivre | Dichtung 10x15x1 Kupfer | Junta 10.15.1 (cobre) |
| 13 | 11.55510.000 | 2 | | Bullone M8x40 ch10 rs | Bolt M8x40 ch10 rs | Boulon M8x40 ch10 rs | Bolzen M8x40 ch10 rs | Tornillo M8x40 ch10 rs |
| 14 | 18.89621.000 | 1 | | Interruttore stop | Stop switch | Interrupteur stop | Stopschalter | Interruptor stop |
| 15 | 12.93388.000 | 2 | | Cuscinetto 8x22x7 | Bearing 8x22x7 | Roulement 8x22x7 | Lager 8x22x7 | Cojinete 8x22x7 |
| 16 | 27.49500.000 | 1 | | Rondella 8x18 | Washer 8x18 | Rondelle 8x18 | U.Scheibe 8x18 | Arandela 8x18 |
| 17 | 13.17020.000 | 1 | | Dado autoblocc. Basso M8 | Nut M8 | Ecrou M8 | Mutter M8 | Tuerca M8 |
| 18 | 31.63985.000 | 1 | | Vite TSPCE M8x50 CL 10.9 | Screw TSPCE M8x50 CL 10.9 | Vis TSPCE M8x50 CL 10.9 | Schraube TSPCE M8x50 CL 10.9 | Tornillo TSPCE M8x50 CL 10.9 |
| 19 | 25.41830.000 | 1 | | Forcellino | Clip | Ressort | Fixiergabel | Horquilla |
| 20 | 12.81995.000 | 1 | | Copiglia 2x15 | Split pin 2x15 | Goupille 2x15 | Splint 2x15 | Grupilla 2x15 |
| 21 | 20.02717.000 | 1 | | Kit pistoncini e guarniz. Pinza | Piston e oil seal for pliers | Jeu petit pistons et joint pince | Reparatursatz Bremszange | Juego piston y guarnicion pinza |
| 22 | 31.96821.000 | 1 | | Grano | Dowel | Goujon | Stift | Clavija |
| 23 | 25.41860.000 | 1 | | Perno ancoraggio pastiglia | Pin hanger | Pivot ancrage | Halter brehsbelage | Varilla esp. Pastillas pinzas |
| 24 | 28.91002.000 | 1 | | Sfiato | Breather | Reniflard | Enlüfter | Respiradero |
| 25 | 25.25362.000 | 1 | | Pastiglie freno post. | Rear brake pads | Pastill. de freins AR. | Hinterbremsbelag | Pastillas frenos tras. |
| 26 | 020.36.011.00.00 | 1 | | Staffa supporto pinza | Caliper support bracket | Bride support étrier | Bremssattelbefestigung | Brida soporte pinza |
| 27 | 22.32208.000 | 1 | | Molla ferma pastiglie pinza | Brake pads spring for pliers | Ressort arret plaquettes | Haltefeder | Muelle pastillas pinza |
| 28 | 020.36.012.00.00 | 1 | | Staffa supporto pinza | Caliper support bracket | Bride support étrier | Bremssattelbefestigung | Brida soporte pinza |
| 29 | 25.25361.000 | 1 | | Pastiglie freno ant. | Front brake pads | Pastill. de freins AV. | Vorderbremsbelag | Pastillas frenos del. |
| 30 | 22.32207.000 | 1 | | Molla ferma pastiglie pinza | Brake pads spring for pliers | Ressort arret plaquettes | Haltefeder | Muelle pastillas pinza |
| 31 | 25.41859.000 | 1 | | Perno ancoraggio pastiglia | Pin hanger | Pivot ancrage | Halter brehsbelage | Varilla esp. Pastillas pinzas |
| 32 | 31.96821.000 | 1 | | Grano | Dowel | Goujon | Stift | Clavija |
| 33 | 20.02716.000 | 1 | | Kit pistoncini e guarniz. Pinza | Piston e oil seal for pliers | Jeu petit pistons et joint pince | Reparatursatz Bremszange | Juego pistón y guarnicion pinza |
| 34 | 28.91001.000 | 1 | | Sfiato | Breather | Reniflard | Enlüfter | Respiradero |
| 35 | 20.08276.000 | 1 | | Kit pistoncino pompa post. | Piston kit rear master cyl. | Kit piston. maî tre cyl. AR. | Kolbensatz hinterhauptbremszylinder | Kit pistón bomba tras. |
| 36 | 31.30750.000 | 2 | | Vite M6x16 | Screw M6x16 | Vis M6x16 | Schraube M6x16 | Tornillo M6x16 |
| 37 | 20.08277.000 | 2 | | Kit leva | lever kit | Jeu levier | Hebelsatz | Juego palanca |
| 38 | 20.08275.000 | 1 | | Kit serbatoio pompa | Kit, pump tank | Kit reservoir pompe | Deckel pumpstaje | Kit depósito bomba |
| 40 | 036.36.002.00.00 | 1 | | Protezione | Protection | Protection | Schutzstück | Protección |
| 41 | 036.36.003.00.00 | 1 | | Protezione | Protection | Protection | Schutzstück | Protección |
| 42 | 036.36.006.82.00 | 1 | | Kit protezioni anteriore | Front protections kit | Jeu protections avant | Kit Vorne Schutzstück | Juego protección nes delanteras |
| 43 | 036.36.004.00.00 | 1 | | Protezione | Protection | Protection | Schutzstück | Protección |
| 44 | 036.36.005.00.00 | 1 | | Protezione | Protection | Protection | Schutzstück | Protección |
| 45 | 036.36.007.82.00 | 1 | | Kit protezioni posteriore | Rear protections kit | Jeu protections arrière | Kit Hintere Schutzstück | Juego protección nes traseras |

Tav.37



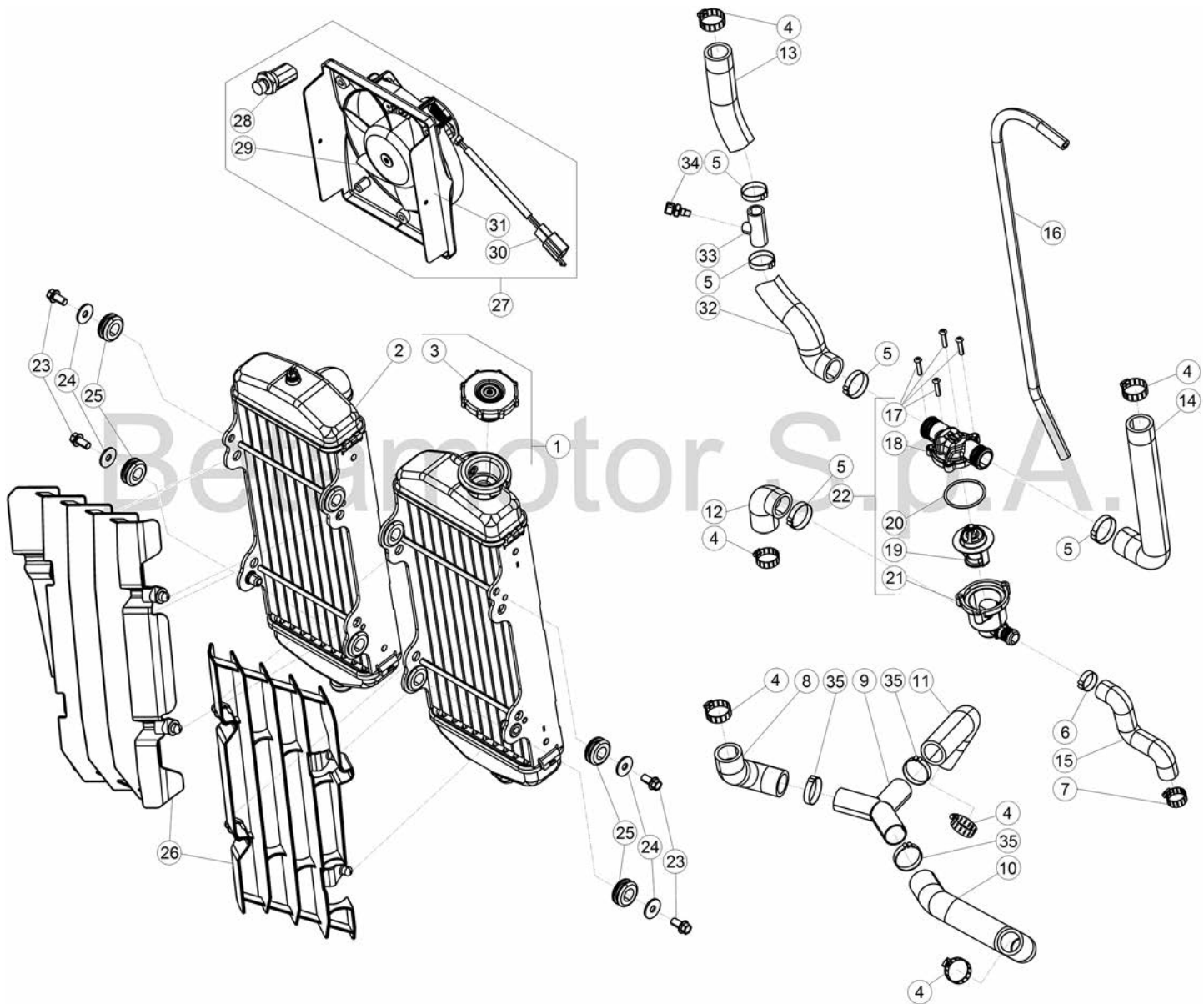
| Pos Loc Ps Pos | Numero Number Numéro Número Nummer | Q.tà Q.ty Q.té M.ge C.ad | Nota Note Note Nota Anm. | Descrizione | Description | Dé signation | Beschreibung | Descrìpiò n |
|-------------------------|--|--------------------------------------|--------------------------------------|----------------------------|------------------------------|--------------------------|-----------------------------|--------------------------|
| 1 | 031.37.034.80.00 | 1 | | Silenziatore | Silencer | Silencieux | Endschalldämpfer | Silenciador |
| 3 | 031.37.038.00.00 | 1 | 350-390cc | Collettore di scarico | Exhaust manifold | Collecteur d' échapp. | Abgaskrü mmer | Colector de escape |
| 3 | 031.37.009.00.00 | 1 | 430-500cc | Collettore di scarico | Exhaust manifold | Collecteur d' échapp. | Abgaskrü mmer | Colector de escape |
| 4 | 020.37.004.00.00 | 1 | | Guarnizione scarico | Exhaust manifold gasket | Joint coll. Ech. | Dichtung Abgaskrü mmer | Junta colector de escape |
| 6 | 11.50300.000 | 2 | | Bullone 6x30 ch rs | Bolt 6x30 ch rs | Boulon 6x30 ch rs | Bolzen 6x30 ch rs | Tornillo 6x30 ch rs |
| 7 | 13.49187.000 | 4 | | Scodellino | Stop washer | Rondelle d' ar | Federaufnahme | Platillo |
| 8 | 28.91946.000 | 2 | | Silentbloc | Silentbloc | Silentbloc | Puffer | Silent-block |
| 9 | 11.48025.000 | 1 | | Vite M6x16 RS CH8 | Screw M6x16 RS CH8 | Vis M6x16 RS CH8 | Schraube M6x16 RS CH8 | Tornillo M6x16 RS CH8 |
| 10 | 25.60311.000 | 1 | | Piastrina elastica M6 | Spring plate M6 | Plaqueette é lastique M6 | Plättchen M6 | Pletina elástica M6 |
| 11 | 020.37.099.80.00 | 1 | | Kit revisione silenziatore | Kit for silencer overhauling | Kit ré v. Silencieux | Reparatursatz Schalldämpfer | Kit revisión silenciador |
| 13 | 13.17121.000 | 2 | | Dado speciale M8 | Special nut M8 | Ecrou spéciale M8 | Spezialmutter M8 | Tuerca especial M8 |
| 14 | 031.37.030.00.00 | 1 | | Tappo sensore ossigeno | Oxygen sensor plug | Bouchon sonde oxygene | Verschluss Lambdasonde | Tapó n sensor oxigeno |

Tav.38



© Copyright 2016 Betamotor S.p.A.

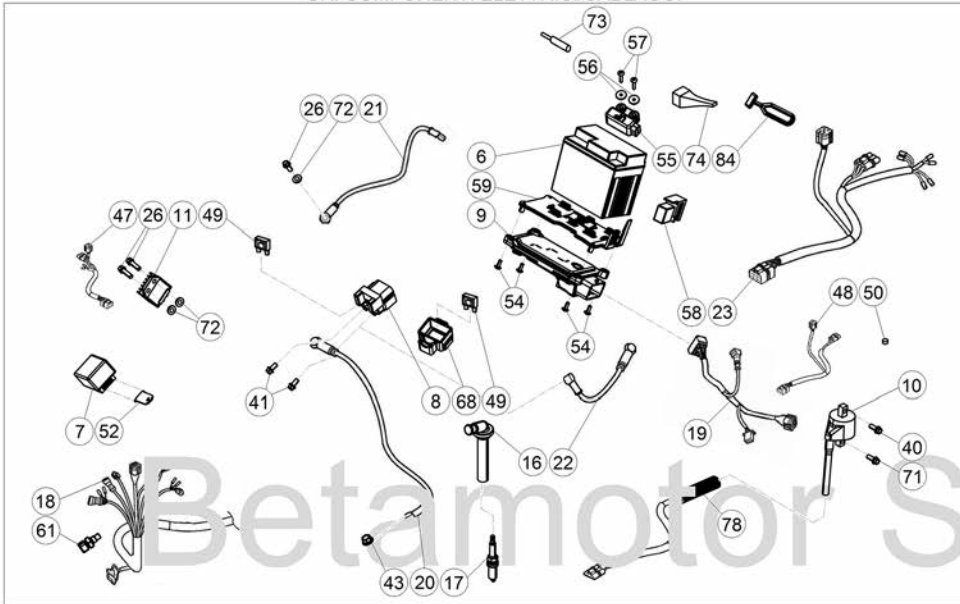
| Pos Loc Pos Ps Pos | Numero Number Numé ro Número Nummer | Q.tà Q.ty Q.té M.ge C.ad | Nota Note Note Nota Anm. | Descrizione | Description | Dé signation | Beschreibung | Descripiò n |
|--------------------------------|---|--------------------------------------|--------------------------------------|------------------------------|-------------------------|--------------------------|----------------------------|---------------------------|
| 1 | 031.38.009.82.59 | 1 | | Scatola filtro completa | Air cleaner box | Boî tier filtre à air | Luftfiltergehä use | Caja filtro de aire |
| 2 | 031.38.003.00.00 | 1 | | Manicotto scatola filtro | Filter box sleeve | Manchon boî te du filtre | Filtergehä usemuffe | Manguito caja filtro |
| 3 | 031.38.002.00.00 | 1 | | Gabbia filtro aria | Filter cage | Grille filtre aire | Filter kafig | Jaula filtro aire |
| 4 | 031.38.001.00.00 | 1 | | Filtro aria | Air filter | Filtere à air | Luftfilter | Filtro de aire |
| 5 | 25.57197.000 | 1 | | Perno richiamo ferma-filtro | Filter pin | Pivot filtre | Filtershalter | Pin Eje filtro |
| 6 | 020.38.021.00.00 | 1 | | Molla fermafiltro | Filter spring | Ressort filtre | Filter Feder | Muelle filtro |
| 7 | 27.74800.000 | 1 | | Rondella autobloccante 9 | Washer 9 | Rondelle 9 | Scheibe 9 | Arandela 9 |
| 8 | 026.38.007.10.59 | 1 | | Protezione ammortizzatore | Rear damper protection | Protection amortisseur | Stossdä mpferschutz | Protecció n amortiguador |
| 9 | 16.34907.000 | 3 | | Gommino | Rubber buffer | Caoutchouc | Gummi | Goma |
| 10 | 27.74786.000 | 2 | | Rondella bombata | Kasher | Rondelle | Scheibe | Arandela |
| 11 | 31.79960.000 | 2 | | Vite autofilettante 6x15 | Self tapping screw 6x15 | Vis taraud 6x15 | Schraube, Blech 6x15 | Tornillo autorrosc. 6x15 |
| 12 | 13.54820.000 | 7 | | Distanziale 6,5x9,0x13,5 | Spacer 6,5x9,0x13,5 | Entretoise 6,5x9,0x13,5 | Distanzstü ck 6,5x9,0x13,5 | Distanciador 6,5x9,0x13,5 |
| 13 | 11.47015.000 | 2 | | Bullone M6x12 | Bolt M6x12 | Boulon M6x12 | Bolzen M6x12 | Tornillo M6x12 |
| 14 | 026.38.004.00.00 | 2 | | Ricettacolo | Receptacle | Rè ceptacle | Behä lter | Receptaculo |
| 15 | C18.19.009.00.00 | 4 | | Rivetto a strappo 2,4x8 all. | Rivet 2,4x8 | Rivet 2,4x8 | Niet 2,4x8 | Remache 2,4x8 |
| 16 | 27.33803.000 | 2 | | Rivetto a strappo 3,2x11 | Rivet 3,2x11 | Rivet 3,2x11 | Niet 3,2x11 | Remache 3,2x11 |
| 17 | 020.38.002.00.00 | 1 | | Staffa | Bracket | Bras | Halterung | Brida |
| 18 | 15.14606.000 | 1 | | Fascetta | Clamp | Collier | Schelle | Abrazadera |
| 20 | 31.30815.000 | 2 | | Vite autofilettante 6x20 | Self tapping screw 6x20 | Vis taraud 6x20 | Schraube, Blech 6x20 | Tornillo autorrosc. 6x20 |
| 21 | 11.48025.000 | 3 | | Bullone 6x16 ch 8 rs | Bolt 6x16 ch 8 rs | Boulon 6x16 ch 8 rs | Bolzen 6x16 ch 8 rs | Tornillo 6x16 ch 8 rs |



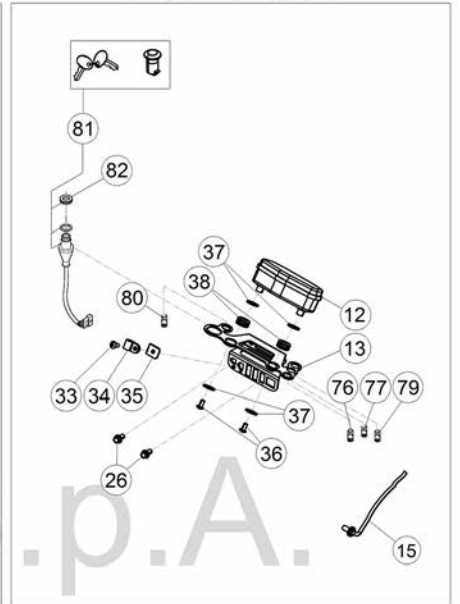
© Copyright 2017 Betamotor S.p.A.

| Pos Loc Ps Pos | Numero Number Numéro Nummer | Q.tà Q.ty Q.té M.ge C.ad | Nota Note Note Nota Anm. | Descrizione | Description | Dé signation | Beschreibung | Descrìpziò n |
|----------------|-----------------------------|--------------------------|--------------------------|-------------------------------|----------------------------|------------------------------------|--------------------------------|-------------------------------|
| 1 | 020.39.110.00.00 | 1 | | Radiatore Sx | L.H. radiator | Radiateur G. | L., Kühler | Radiador iz. |
| 2 | 020.39.021.82.00 | 1 | | Radiatore Dx | R.H. radiator | Radiateur D. | R., Kühler | Radiador der. |
| 3 | 020.39.111.00.00 | 1 | | Tappo radiatore | Radiator plug | Bouchon radiateur | Kühlerdeckel | Tapa de radiador |
| 4 | 15.15240.000 | 6 | | Fascetta 19/28 | Clamp 19/28 | Collier 19/28 | Schelle 19/28 | Abrazadera 19/28 |
| 5 | 020.39.008.00.00 | 5 | | Fascetta 24 | Clamp 24 | Collier 24 | Schelle 24 | Abrazadera 24 |
| 6 | 020.39.009.00.00 | 1 | | Fascetta 17 | Clamp 17 | Collier 17 | Schelle 17 | Abrazadera 17 |
| 7 | 15.15220.000 | 1 | | Fascetta 12/22 | Clamp 12/22 | Collier 12/22 | Schelle 12/22 | Abrazadera 12/22 |
| 8 | 031.39.005.00.00 | 1 | | Tubo radiatore dx | R.H. radiator tube | Tube radiateur d. | Wasserschlauch Kühler re. | Tubo radiador derecho |
| 9 | 020.39.020.00.00 | 1 | | Raccordo a Y | Y joint.p. | Raccord a Y | Y Stutzen | Racor a Y |
| 10 | 031.39.023.00.00 | 1 | | Tubo radiatore sx. | L.H. radiator tube | Tube radiateur g. | Wasserschlauch Kühler li. | Tubo radiador izquierdo |
| 11 | 031.39.007.00.00 | 1 | | Tubo pompa acqua | Water pump pipe | Tube pompe eau | Leitung wasserpumpe | Tubo bomba agua |
| 12 | 020.39.001.00.00 | 1 | | Tubo termostato radiatore dx. | Thermostat hose R.H. | Tube interrupteur thermique | Thermostatschlauch | Tubo termostato |
| 13 | 031.39.025.82.00 | 1 | | Tubo radiatore | Radiator tube | Tube radiateur | Wasserschlauch Kühler | Tubo radiador |
| 14 | 020.39.003.00.00 | 1 | | Tubo termostato radiatore sx. | Thermostat hose L.H. | Tube interrupteur thermique | Thermostatschlauch | Tubo termostato |
| 15 | 020.39.002.00.00 | 1 | | Tubo termostato inf. sx. | Thermostat hose L.H. lower | Tube interrupteur thermique inf. g | Thermostatschlauch unten links | Tubo termostato inf. izq. |
| 16 | 020.39.015.00.00 | 1 | | Tubo sovrappressione | Overpressure hose | Tuyau surpression | Kühlerschlauch Überdruck | Tubo sobre presión |
| 17 | 031.39.017.50.00 | 4 | | Vite speciale M3,5X18 | Special screw M3,5X18 | Vis spéciale M3,5X18 | Spezialschraube M3,5X18 | Tornillo especial M3,5X18 |
| 18 | 031.39.016.00.00 | 1 | | Coperchio termostato | Thermostat cover | Couvercle du thermostat | Thermostatabdeckung | Tapa del termostato |
| 19 | 020.39.013.00.00 | 1 | | Termostato | Bimetal, thermostatic | Thé rmostat | Thermostat | Termostato |
| 20 | 10.66830.000 | 1 | | Anello or 32.2 | O-Ring 32.2 | Bague d' é tanché ité 32.2 | O-Ring 32.2 | Anillo OR 32.2 |
| 21 | 031.39.015.00.00 | 1 | | Contentitore termostato | Thermostat container | Logement interrupteur thermique | Rahmen Thermostatschlauch | Plástico termostato |
| 22 | 031.39.014.80.00 | 1 | | Termostato completo | Thermostat, assy | Thermostat complet | Thermostat komplett | Termostato compl. |
| 23 | 11.47015.000 | 4 | | Bullone M6x12 | Bolt M6x12 | Boulon M6x12 | Bolzen M6x12 | Tornillo M6x12 |
| 24 | 27.43250.000 | 4 | | Rondella 6x24 | Washer 6x24 | Rondelle 6x24 | U.Scheibe 6x24 | Arandela 6x24 |
| 25 | 16.34911.000 | 4 | | Gommino | Rubber buffer | Caoutchouc | Gummi | Goma |
| 26 | 031.39.003.00.51 | 1 | | Coppia griglie radiatore | Pair radiator grills | Couple calandres | Kühlergrillpaar | Par rejas del radiador |
| 27 | 031.46.024.82.00 | 1 | | Kit elettroventola | Electric fan kit | Jeu electro-ventilateur | Elektroluterradsatz | Kit electroventilador |
| 28 | 020.40.007.00.00 | 1 | | Termointerruttore | Thermal switch | Thermo-régulateur | Umschalter | Interruptor té rmico |
| 29 | 14.01040.000 | 1 | | Elettroventola | Electric fan | Electro-ventilateur | Elektroluterrad | Electroventilador |
| 30 | 18.01596.000 | 1 | | Impianto elettroventola | Electric fan system | Circuit electro-ventilateur | Anlage Elektroluterrad | Instalacion electroventilador |
| 31 | 031.39.013.15.00 | 2 | | Supporto elettroventola | Heater fan support | Support electro-ventilateur | Halterung Elektroluterrad | Soporte electroventilador |
| 32 | 031.39.026.82.00 | 1 | | Tubo termostato | Thermostat hose | Tube interrupteur thermique | Thermostatschlauch | Tubo termostato |
| 33 | 031.39.020.00.00 | 1 | | Raccordo a T | T joint.p. | Raccord a T | T Stutzen | Racor a T |
| 34 | 031.40.032.00.00 | 1 | | Sensore temperatura | Temperature sensor | Capteur de température | Temperaturfühler | Sensor de temperatura |
| 35 | 007.16.005.00.00 | 3 | | Fascetta D.25 | Clamp D.25 | Collier D.25 | Schelle D.25 | Abrazadera D.25 |

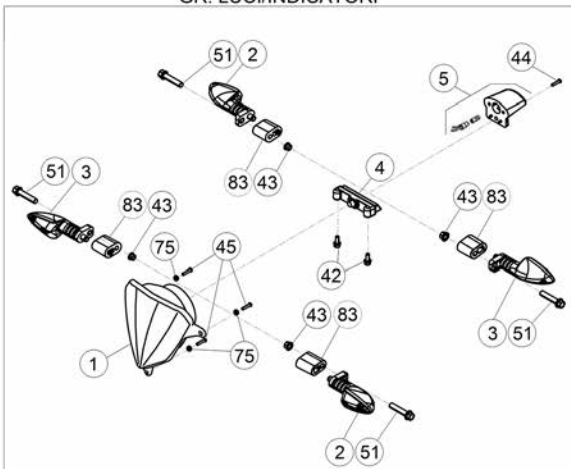
GR. COMPONENTI ELETTRICI/CABLAGGI



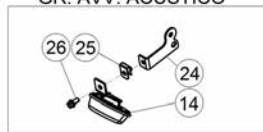
GR. STRUMENTAZIONE



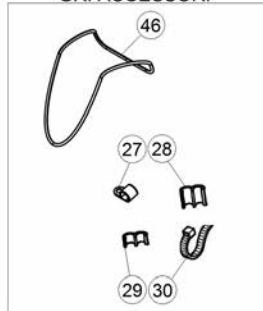
GR. LUCI/INDICATORI



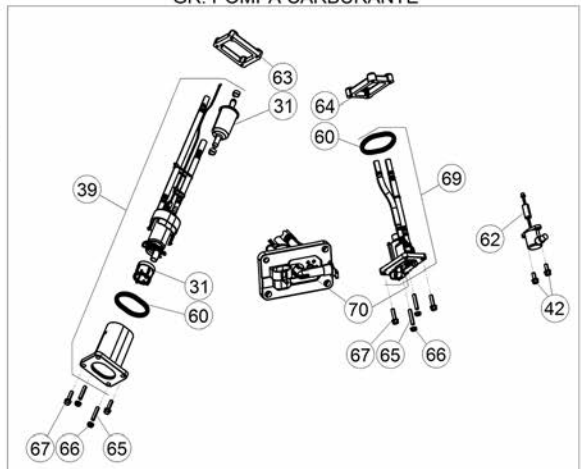
GR. AVV. ACUSTICO



GR. ACCESSORI



GR. POMPA CARBURANTE

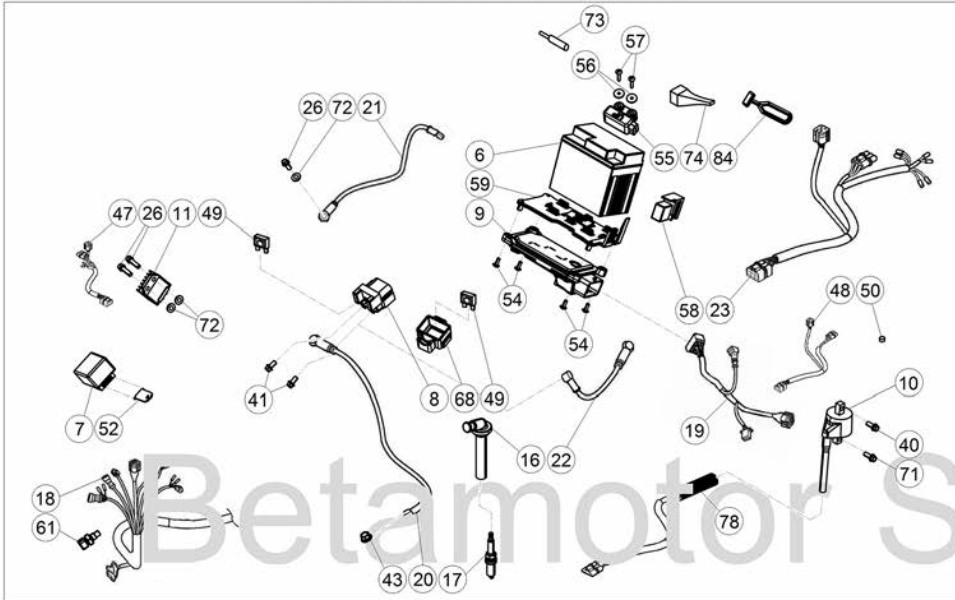


© Copyright 2018 Betamotor S.p.A.

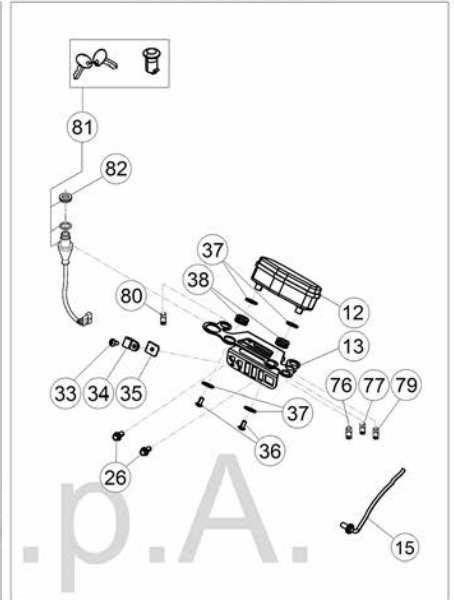
Tav.40

| Pos Loc Pos Ps Pos | Numero Number Numéro Número Nummer | Q.tà Q.ty Q.té M.ge C.ad | Nota Note Note Nota Anm. | Descrizione | Description | Désignation | Beschreibung | Descrìcion |
|--------------------------------|--|--------------------------------------|--------------------------------------|------------------------------------|---------------------------------|--------------------------------------|---|----------------------------------|
| 1 | 16.46210.800 | 1 | | Gruppo ottico | Headlamp | Projecteur | Scheinwerfer | Faro del. |
| 2 | 18.12691.000 | 2 | | Indicatore dir. ant. sx.-post. Dx | Turn signal L.H.front-R.H.rear | Clignotant av.g.-ar.dr. | Blink. Vorderer links- Hinterer rechts | Indicador del. izq.-tras. der. |
| 3 | 18.12681.000 | 2 | | Indicatore dir. ant. dx.-post. Sx | Turn signal R.H.front-L.H.rear | Clignotant av.dr.-ar.g. | Blink.Vorderer rechts- Hinterer links | Indicador del. der.-tras. izq. |
| 4 | 15.01769.800 | 1 | | Fanalino posteriore a led | LED tail lamp | Feu AR. à diodes | LED-Rücklicht | Piloto a LED |
| 5 | 020.40.020.00.00 | 1 | | Luce Targa | Plate Illumination | Éclairage De Plaque | Kennzeichen-Beleuchtung | Illuminación Placa |
| 6 | 031.40.124.00.00 | 1 | | Batteria | Battery | Batterie | Batterie | Bateria |
| 7 | 18.84946.000 | 1 | | Intermittenza | Unit turn signal lamps | Disp. comm. clignot. | Blinkgeber | Disp. intermitentes |
| 8 | 27.28471.000 | 1 | | Relais | Relay | Relais | Relay | Relé |
| 9 | 031.40.015.10.00 | 1 | | Centralina digitale da programmare | Unprogrammed CDI unit | Bobine digital (C.D.I.) à programmer | Unprogrammierten CDI-Einheit | Centralita digital no programada |
| 10 | 031.40.021.37.00 | 1 | | Bobina accensione | Ignition coil | Bobine allumage | Zuendspule | Bobina de encendido |
| 11 | 031.40.025.37.00 | 1 | | Regolatore | Regulator | Régulateur | Regler | Regulador |
| 12 | 031.40.030.00.00 | 1 | | Strumento digitale | Digital instrument | Instrument numérique | Digitalinstrument | Instrumento digital |
| 13 | 031.40.059.22.00 | 1 | | Supporto strumento | Instrument holder | Support instruments | Instrumentenhalter | Soporte instrumentos |
| 14 | 007.40.050.00.00 | 1 | | Avvisatore acustico | Warning horn | Avertisseur sonore | Hupe | Claxon |
| 15 | 28.79013.000 | 1 | | Sensore REED | REED sensor | Sensor REED | Sensor | Sensor REED |
| 16 | 006.10.055.00.00 | 1 | | Cappuccio candela | Spark plug cap | Capuchon/couvercle bougie | Zündkerzenkappe | Capuchón de la bujía |
| 17 | 006.10.050.00.00 | 1 | | Candela M12X1,25 | Spark.plug M12X1,25 | Bougie M12X1,25 | Zündkerze M12X1,25 | Bujía M12X1,25 |
| 18 | 031.40.163.00.00 | 1 | | Impianto servizi anteriore | Front wire harness for services | Installation avant services | Vorderer Kabelbaum | Cableado delantero servicios |
| 19 | 031.40.162.80.00 | 1 | | Impianto elettrico principale | Main wire harness | Cablage principal complet | Kabeleinheit komplett | Conjunto cables principal |
| 20 | 031.40.038.00.00 | 1 | | Cavetto relè avviamento | Starter relay cable | Cable relais de demarrage | Anlassrelaiskabel | Cable relé de arranque |
| 21 | 036.40.011.00.00 | 1 | | Cavetto di massa | Ground cable | Cable masse | Masse kabel | Cable masa |
| 22 | 020.40.003.00.00 | 1 | | Cavo batteria-relè | Battery-Relay cable | Cable batterie-relais | Kabel Batterie-Relais | Cable Bateria-Relé |
| 23 | 031.40.042.00.00 | 1 | | Impianto posteriore | Rear harness | Circuit post. | Anlage hinten | Instalación tras. |
| 24 | 28.97255.000 | 1 | | Staffa supporto claxon | Horn support bracket | Bride support avertisseur | Hupebefestigung | Brida soporte claxon |
| 25 | 25.60311.000 | 1 | | Piastrina elastica M6 | Spring plate M6 | Plaqueette élastique M6 | Plättchen M6 | Pletina elástica M6 |
| 26 | 11.47015.000 | 6 | | Bullone M6x12 | Bolt M6x12 | Boulon M6x12 | Bolzen M6x12 | Tornillo M6x12 |
| 27 | 15.14654.000 | 1 | | Fascetta | Clamp | Collier | Schelle | Abrazadera |
| 28 | 25.24442.000 | 1 | | Passacavo 6/8 | Fair lead 6/8 | Passe-fils 6/8 | Kabelführung 6/8 | Pasa-cable 6/8 |
| 29 | 25.24443.000 | 3 | | Passacavo 6/6 | Fair lead 6/6 | Passe-fils 6/6 | Kabelführung 6/6 | Pasa-cable 6/6 |
| 30 | 15.14264.000 | 1 | | Fascetta | Clamp | Collier | Schelle | Abrazadera |
| 31 | 031.40.043.82.00 | 1 | | Kit filtri pompa benzina | Fuel pump filters kit | Jeu filtres pompe carburant | Bausatz Benzinpumpenfilter | Kit filtros bomba gasolina |
| 33 | 31.23530.000 | 1 | | Vite M4,2x16 TMTIC | Screw M4,2x16 TMTIC | Vis M4,2x16 TMTIC | Schraube M4,2x16 TMTIC | Tornillo M4,2x16 TMTIC |
| 34 | 25.25182.000 | 1 | | Fascetta | Clamp | Collier | Schelle | Abrazadera |
| 35 | 25.58090.000 | 1 | | Piastrina elastica | Spring plate | Plaqueette élastique | Plättchen | Pletina elástica |
| 36 | 31.27500.000 | 2 | | Vite M4x16 TCIC | Screw M4x16 TCIC | Vis M4x16 TCIC | Schraube M4x16 TCIC | Tornillo M4x16 TCIC |
| 37 | 020.40.812.00.00 | 4 | | Distanziale 5x15 | Spacer 5x15 | Entretoise 5x15 | Distanzstück 5x15 | Distanciadador 5x15 |
| 38 | 031.40.013.00.00 | 2 | | Gommino | Rubber buffer | Caoutchouc | Gummi | Goma |
| 39 | 031.40.024.00.00 | 1 | | Pompa benzina | Fuel pump | Pompe carburant | Benzinpumpe | Bomba gasolina |
| 40 | 11.49070.000 | 1 | | Bullone 6x20 ch rs | Bolt 6x20 ch rs | Boulon 6x20 ch rs | Bolzen 6x20 ch rs | Tornillo 6x20 ch rs |
| 41 | 31.30190.000 | 2 | | Vite a brugola 6x8 | Allen screw 6x8 | Vis à 6 pans 6x8 | Sechskantschraube 6x8 | Tornillo a llave allen 6x8 |
| 42 | 11.46251.000 | 4 | | Bullone flangiato M5x12 | Head Flanged bolt M5x12 | Boulon Bridé M5x12 | Bundbolzen M5x12 | Bulón con Brida M5x12 |
| 43 | 13.12550.000 | 5 | | Dado flangiato M6 | Flanged nut M6 | Ecrou bordé M6 | Flanschmutter M6 | Tuerca embreadada M6 |
| 44 | 31.23565.000 | 1 | | Vite 4,5x15 TCCCR | Screw 4,5x15 TCCCR | Vis 4,5x15 TCCCR | Schraube 4,5x15 TCCCR | Tornillo 4,5x15 TCCCR |
| 45 | 31.26190.000 | 3 | | Vite M4x12 TCIC | Screw M4x12 TCIC | Vis M4x12 TCIC | Schraube M4x12 TCIC | Tornillo M4x12 TCIC |
| 46 | 14.40020.000 | 1 | | Cinghia fiss. batteria | Battery sec. strap | Bande fix. batterie | Batteriebefestigung Riemen | Correa suj. batería |
| 47 | 031.40.129.00.00 | 1 | | Impianto elettrico regolatore | Regulator wiring | Cablage régulateur | Regler Kabelbaum | Cableado regulador |
| 48 | 031.40.078.00.00 | 1 | | Impianto diagnosi | Diagnosis system | Système de diagnostic | Diagnose- Anlage | Instalación de diagnosis |
| 49 | 020.40.006.00.00 | 6 | | Fusibile 10A | Fuse 10A | Fusible 10A | Sicherung 10A | Fusible 10A |
| 50 | 031.40.074.00.00 | 1 | | Tappo | Plug | Bouchon | Verschluß | Tapón |
| 51 | 11.05540.000 | 4 | | Bullone 6x55 ch 8 rs | Bolt 6x55 ch 8 rs | Boulon 6x55 ch 8 rs | Bolzen 6x55 ch 8 rs | Tornillo 6x55 ch 8 rs |
| 52 | 031.40.002.22.00 | 1 | | Staffa intermittenza | Flasher bracket | Support intermitence | Platte Blinkgeber | Placa soporte intermitencia |
| 54 | 31.23370.000 | 4 | | Vite M4x11 TTLIC | Screw M4x11 TTLIC | Vis M4x11 TTLIC | Schraube M4x11 TTLIC | Tornillo M4x11 TTLIC |
| 55 | 031.40.017.00.00 | 1 | | Sensore antiribaltamento | Tilt sensor | Captur d'inclinaison | Neigungssensor | Sensor de inclinación |
| 56 | 27.34800.000 | 2 | | Rondella grower 4x16 | Grower washer 4x16 | Rondelle Grower 4x16 | Federring Grower 4x16 | Arandela elástica Grower 4x16 |
| 57 | 31.23560.000 | 2 | | Vite autofilettata 4,2x25 TMTIC | 4,2x25 TMTIC | 4,2x25 TMTIC | 4,2x25 TMTIC | 4,2x25 TMTIC |
| 58 | 031.40.039.00.00 | 1 | | Relè centralina | Electronic control unit relay | Relais unité de commande | Zündboxrelais | Relé centralita |
| 59 | 031.40.016.10.00 | 1 | | Piastrina fissaggio centralina | ECU fastening plate | Plaqueette de fix. unité de comm. | Befestigungsblech Zündbox | Placa sujeción centralita |
| 60 | 031.40.044.82.00 | 1 | | Kit guarnizioni | Packings kit | Jeu joints | Dichtungensatz | Grupo juntas |
| 61 | 029.13.004.00.00 | 1 | | Sensore temperatura | Temperature sensor | Captur de temperature | Wassertemperatursensor | Sensòr temperatura |
| 62 | 031.40.014.00.00 | 1 | | Sonda segnalazione riserva | Low fuel sensor | Sonde niveau réserve | Sonde zur Reserveanzeige | Sonda señalización reserva |
| 63 | 031.43.087.00.00 | 1 | | Piastra con gomma vulcanizzata | Plate with vulcanized rubber | Plaque avec caoutchouc vulcanisé | Platte mit Kautschukvulkanisat | Placa con goma vulcanizada |
| 64 | 031.43.090.00.00 | 1 | | Piastra con gomma vulcanizzata | Plate with vulcanized rubber | Plaque avec caoutchouc vulcanisé | Platte mit Kautschukvulkanisat | Placa con goma vulcanizada |
| 65 | C24.75.002.00.00 | 4 | | Prigioniero M5 L.22 | Stud M5 L.22 | Goujon M5 L.22 | Stiftschraube M5 L.22 | Esparrago M5 L.22 |

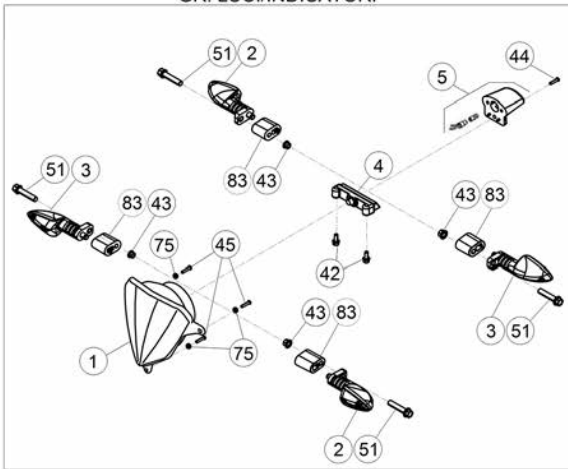
GR. COMPONENTI ELETTRICI/CABLAGGI



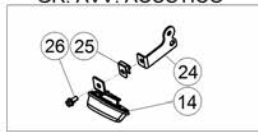
GR. STRUMENTAZIONE



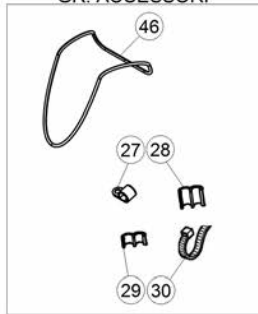
GR. LUCI/INDICATORI



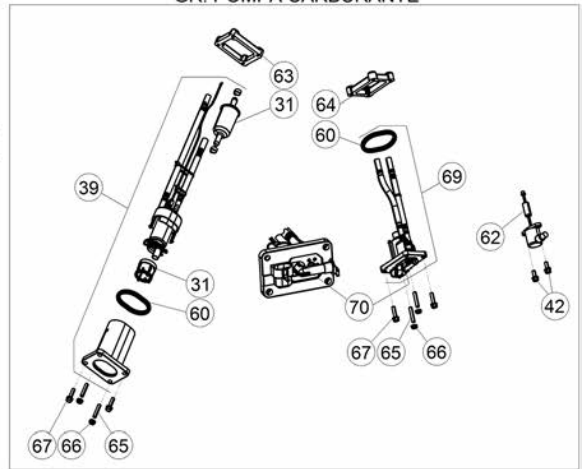
GR. AVV. ACUSTICO



GR. ACCESSORI



GR. POMPA CARBURANTE

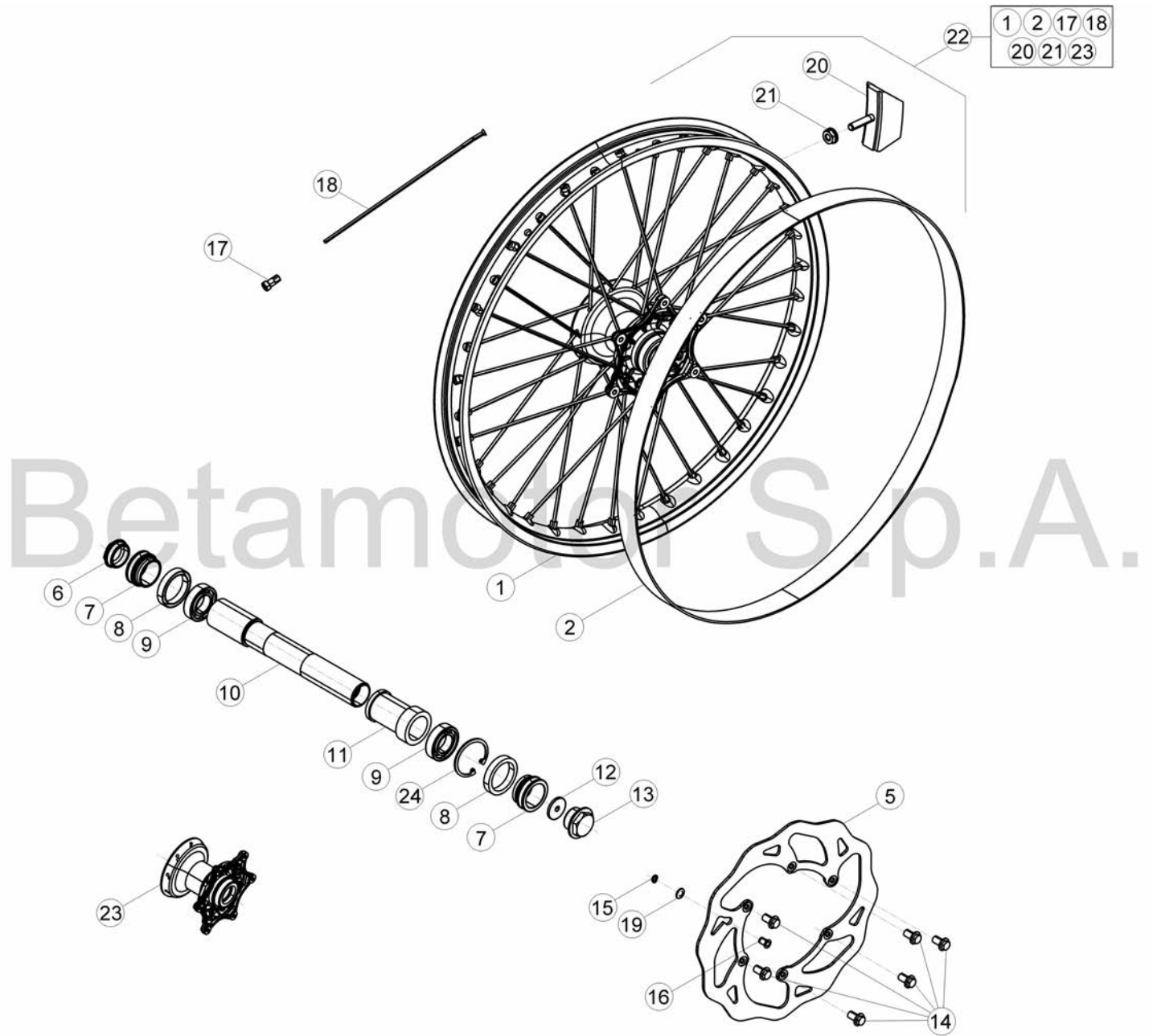


© Copyright 2018 Betamotor S.p.A.

Tav.40

| Pos Loc Ps Pos | Numero Number Numéro Número Nummer | Q.tà Q.ty Q.té M.ge C.ad | Nota Note Note Nota Anm. | Descrizione | Description | Désignation | Beschreibung | Descripcìon |
|-------------------------|--|--------------------------------------|--------------------------------------|---------------------------------|-----------------------------------|-------------------------------------|--|--|
| 66 | C24.07.013.00.00 | 4 | | Dado autobloccante flangiato M5 | Self locking nut, flanged M5 | Ecrou de sé curité bordé M5 | Mutter, selbstsichernd M5 | Tuerca de seguridad embridada M5 |
| 67 | 11.46401.000 | 4 | | Bullone M5x20 | Bolt M5x20 | Boulon M5x20 | Bolzen M5x20 | Tornillo M5x20 |
| 68 | 031.40.018.10.00 | 1 | | Elastico | Rubber band | Elastique | Gummiband | Elastico |
| 69 | 031.40.045.00.00 | 1 | | Kit regolatore | Regulator kit | Jeu ré gulateur | Bausatz Regler | Juego regulador |
| 70 | 031.40.049.82.00 | 1 | | Kit raccordo carburante | Fuel union kit | Jeu raccord carburant | Bausatz Anschluss Kraftstoffschlauch | Empalme carburante |
| 71 | 11.50010.000 | 1 | | Bullone M6x25 | Bolt M6x25 | Boulon M6x25 | Bolzen M6x25 | Tornillo M6x25 |
| 72 | 27.40500.000 | 3 | | Rondella | Washer | Rondelle | U.Scheibe | Arandela |
| 73 | 031.40.051.00.00 | 1 | | Condensatore | Condenser | Condensateur | Kondensator | Condensador |
| 74 | 031.40.052.00.00 | 1 | | Gruppo diodi | Diode gr. | Groupe diodes | Diodeneinheit | Grupo diodos |
| 75 | 27.34650.000 | 3 | | Rondella 4x9 | Washer 4x9 | Rondelle 4x9 | U.Scheibe 4x9 | Arandela 4x9 |
| 76 | 28.92897.000 | 1 | | Spia luce abbagliante | Headlight tell tale lamp | Té moin phare | Fernlichtkontrollampe | Testigo luz de carretera |
| 77 | 28.92895.000 | 1 | | Spia lampeggiatori | Trafficator lights tell tale lamp | Té moin clignotants | Bü nklichtkontrollampe | Indicador luces intermitentes |
| 78 | 031.40.033.00.00 | 1 | | Sensore contagiri | Tachometer sensor | Capteur compte-tours | Drehzäh lersensor | Sensor cuenta-revoluciones |
| 79 | 031.40.056.00.00 | 1 | | Spia malfunzionamento iniezione | Clutch malfunction warning light | Té moin de panne de l' embrayage | Kontrollampe Kupplung funktionsstö rungen | Indicador mal funcionamiento embrague |
| 80 | 031.40.057.00.00 | 1 | | Spia riserva | Fuel level warning light | Té moin d' essence | Reserve Kontrollampe | Indicador de reserva |
| 81 | 12.55291.000 | 1 | | Commutat.c/chiavi e b/sterzo | Key operated switch | Commutateur à clef | Zuendschloss | Conmutador c/llaves y b/volante |
| 82 | 16.20640.000 | 1 | | Ghiera commutatore | Commutator grill | Grille commutateur | O-ring zuendschloss | Junta conmutador |
| 83 | 031.40.128.00.59 | 4 | | Distanziale | Spacer | Entretoise | Distanzstück | Distanciator |
| 84 | 16.34907.000 | 1 | | Gommino ritenuta cavalletto | Stand support rubber | Coautchouc support bé quille | Gummi halter für Ständer | Goma soporte caballete |

Tav.41

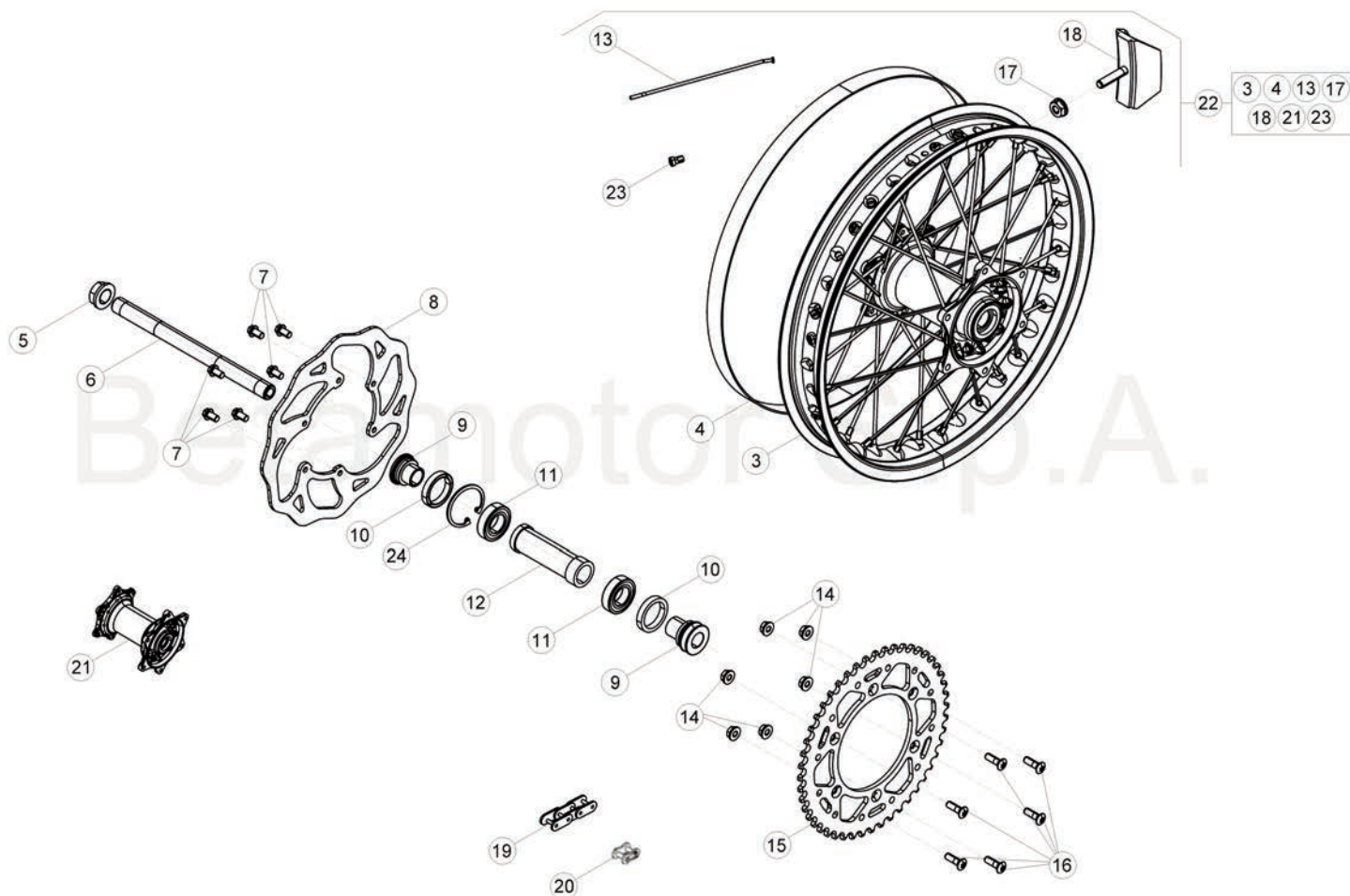


© Copyright 2016 Betamotor S.p.A.

Tav.41

| Pos Loc Ps Pos | Numero Number Numéro Nummer | Q.tà Q.ty Q.té M.ge C.ad | Nota Note Note Nota Anm. | Descrizione | Description | Dé signation | Beschreibung | Descrìpziò n |
|----------------|-----------------------------|--------------------------|--------------------------|-------------------------------------|-----------------------------|-------------------------------------|------------------------------|------------------------------------|
| 1 | 031.41.046.00.59 | 1 | | Cerchio anteriore 21x1,6 | Front rim 21x1,6 | Jante avant 21x1,6 | Vorderfelge 21x1,6 | Llanta delantera 21x1,6 |
| 2 | 15.38200.000 | 1 | | Flap 21x25 | Bead 21x25 | Flap21x25 | Felgenband 21x25 | Flap cinta tapa radios 21.25 |
| 5 | 031.41.030.00.00 | 1 | | Disco freno | Brake plate | Disque frein | Bremscheibe | Disco freno |
| 6 | 020.41.007.00.00 | 1 | | Tappo perno ruota anteriore | Front wheel pin plug | Bouchon pivot roue avant | Stopfen Pin Vorrad | Tapó n eje rueda anterior |
| 7 | 031.41.004.00.00 | 2 | | Distanziale ant. | Front spacer | Entretoise AV. | Distanzstück vorderer | Distanciadòr del. |
| 8 | 10.66000.000 | 2 | | Paraolio 35x47x7 | Oil seal 35x47x7 | Pare-huile 35x47x7 | Dichtring 35x47x7 | Sello de lub. 35x47x7 |
| 9 | 020.41.003.00.00 | 2 | | Cuscinetto 30x47x9 | Bearing 30x47x9 | Roulement 30x47x9 | Lager 30x47x9 | Cojinete 30x47x9 |
| 10 | 020.41.005.00.00 | 1 | | Perno ruota anteriore | Front wheel spindle | Pivot roue AV. | Vorderradzapfen | Perno rueda delantera |
| 11 | 031.41.015.00.00 | 1 | | Distanziale interno | Inner spacer | Entretoise interne | Innere Distanzstück | Distanciadòr interior |
| 12 | 020.41.110.00.00 | 1 | | Tappo interno perno ruota anteriore | Front wheel inside pin plug | Bouchon intè rieur pivot roue avant | Innerhalb Stopfen Pin Vorrad | Tapó n interior eje rueda anterior |
| 13 | 020.41.006.00.00 | 1 | | Tappo filettato | Threaded plug | Bouchon fileté | Gewindepfropf | Tapó n filete |
| 14 | 031.41.016.00.00 | 6 | | Vite TEF M6x14 | Screw TEF M6x14 | Vis TEF M6x14 | Schraube TEF M6x14 | Tornillo TEF M6x14 |
| 15 | 28.22660.000 | 1 | | Seeger 9E | Circlip 9E | Circlip 9E | Seeger 9E | Seeger 9E |
| 16 | 021.41.005.00.00 | 1 | | Magnete | Sensor magneto | Magneto capteur | Magnet für Sensor | Magneto sensor |
| 17 | 031.41.050.00.00 | 36 | | Nipplo | Nipple | Ecrou | Nippel | Tuerca |
| 18 | 031.41.049.00.52 | 36 | | Raggio | Spoke | Rayon | Speiche | Radio |
| 19 | 27.58080.000 | 1 | | Rondella spessore | Shim | Rondelle entretoise | Ausgleichscheibe | Arandela suplemento |
| 20 | 036.41.010.00.00 | 1 | | Fermacopertone | Tyre retainer | Arrêt | Felgenhalterung | Sujeta cobertura |
| 21 | 13.17120.000 | 1 | | Dado M8 flangiato | Nut M8 | Ecrou M8 | Mutter M8 | Tuerca M8 |
| 22 | 026.41.001.00.59 | 1 | | Ruota anteriore | Fr.wheel | Roue AV. | Vorderrad | Rueda delantera |
| 23 | 031.41.014.80.00 | 1 | | Mozzo anteriore c/cuscinetti | Front hub with ballbearing | Moyeu avant avec roulements | Nabe vo. | Buje ant.c/cojinetes |
| 24 | C01.26.001.00.00 | 1 | | Seeger 47x1,75 | Circlip 47x1,75 | Circlip 47x1,75 | Seeger 47x1,75 | Seeger 47x1,75 |

Tav.42



© Copyright 2017 Betamotor S.p.A.

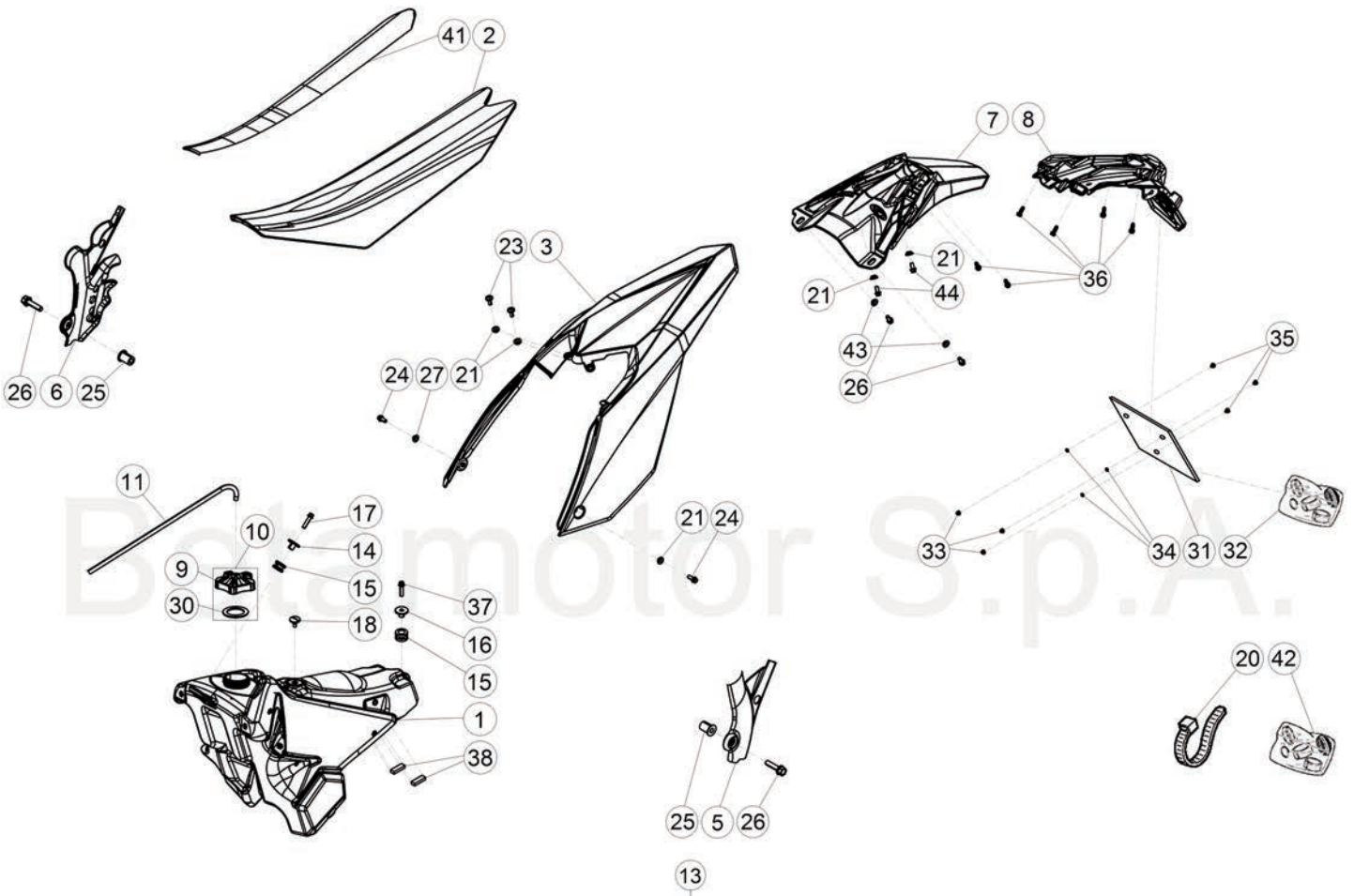


Beta
motorcycles

Tav.42

| Pos Loc Ps Pos | Numero Number Numéro Número Nummer | Q.tà Q.ty Q.té M.ge C.ad | Nota Note Note Nota Anm. | Descrizione | Description | Dé signation | Beschreibung | Descrìpziò n |
|-------------------------|--|--------------------------------------|--------------------------------------|-------------------------------|---------------------------|-------------------------------|-----------------------|---------------------------------|
| 3 | 031.42.034.00.59 | 1 | | Cerchio ruota posteriore | Rear wheel rim | Janta roue AR. | Hinterradfelge | Llanta ruoda trasera |
| 4 | 15.36000.000 | 1 | | Flap 17/18x25 | Bead 17/18x25 | Flap 17/18x25 | Felgenband 17/18x25 | Flap cinta tapa radios 17/18x25 |
| 5 | 13.27120.000 | 1 | | Dado speciale | Special nut | Ecrou spéciale | Spezialmutter | Tuerca especial |
| 6 | 25.55812.000 | 1 | | Perno ruota posteriore | Rear wheel pin | Pivot roue arrière | Hinterradbolzen | Perno ruoda trasera |
| 7 | 031.41.016.00.00 | 6 | | Vite TEF M6x14 | Screw TEF M6x14 | Vis TEF M6x14 | Schraube TEF M6x14 | Tornillo TEF M6x14 |
| 8 | 031.42.030.00.00 | 1 | | Disco freno posteriore | Rear brake disk | Disque frein arrière | Hinterbrems Scheibe | Disco freno trasero |
| 9 | 031.42.002.00.00 | 2 | | Distanziale mozzo post. Dx | RH rear hub spacer | Entretoise moyeu arrière D. | Distanz li | Distanciadòr buje tras. Der. |
| 10 | 10.66000.000 | 2 | | Paraolio 35x47x7 | Oil seal 35x47x7 | Pare-huile 35x47x7 | Dichtring 35x47x7 | Sello de lub. 35x47x7 |
| 11 | 020.42.004.00.00 | 2 | | Cuscinetto 25x47x12 | Bearing 25x47x12 | Roulement 25x47x12 | Lager 25x47x12 | Cojinete 25x47x12 |
| 12 | 031.42.005.00.00 | 1 | | Distanziale interno | Inner spacer | Entretoise interne | Inneres Distanzstück | Distanciadòr interior |
| 13 | 031.42.037.00.52 | 36 | | Raggio | Spoke | Bras | Speiche | Radio |
| 14 | 13.17123.000 | 6 | | Dado TECF M8 | Nut TECF M8 | Ecrou TECF M8 | Mutter TECF M8 | Tuerca TECF M8 |
| 15 | 031.42.038.00.00 | 1 | | Corona Z48 | Ring gear Z48 | Couronne Z48 | Zahnkranz Z48 | Corona Z48 |
| 16 | 31.96827.000 | 6 | | Vite speciale M8X26 | Special screw M8X26 | Vis spéciale M8X26 | Spezialschraube M8X26 | Tornillo especial M8X26 |
| 17 | 13.17120.000 | 1 | | Dado M8 flangiato | Nut M8 | Ecrou M8 | Mutter M8 | Tuerca M8 |
| 18 | 036.42.009.00.00 | 1 | | Fermacopertone | Tire fastener | Caoutchouc serrure chambre | Reifen Halter | Agarre cubierta ant. |
| 19 | 031.42.003.00.00 | 1 | | Catena P114 | Chain P114 | Chaîne P114 | Kette P114 | Cadena P114 |
| 20 | 031.42.008.00.00 | 1 | | Maglia congiunzione 5/8x1/4 | Connecting link 5/8x1/4 | Maillon jonction 5/8x1/4 | Kettenschloss 5/8x1/4 | Enganche cadena 5/8x1/4 |
| 21 | 031.42.014.80.00 | 1 | | Mozzo posteriore c/cuscinetti | Rear hub with ballbearing | Moyeu arrière avec roulements | Hinterrad Nabe | Buje del. c/cojinetes |
| 22 | 026.42.008.00.59 | 1 | | Ruota posteriore completa | Rear wheel | Roue AR. | Hinterrad | Rueda trasera |
| 23 | 031.42.051.00.00 | 36 | | Niplo | Nipple | Ecrou | Nippel | Tuerca |
| 24 | 001.26.001.00.00 | 1 | | Seeger 47x1,75 | Circlip 47x1,75 | Circlip 47x1,75 | Seeger 47x1,75 | Seeger 47x1,75 |

Tav.43

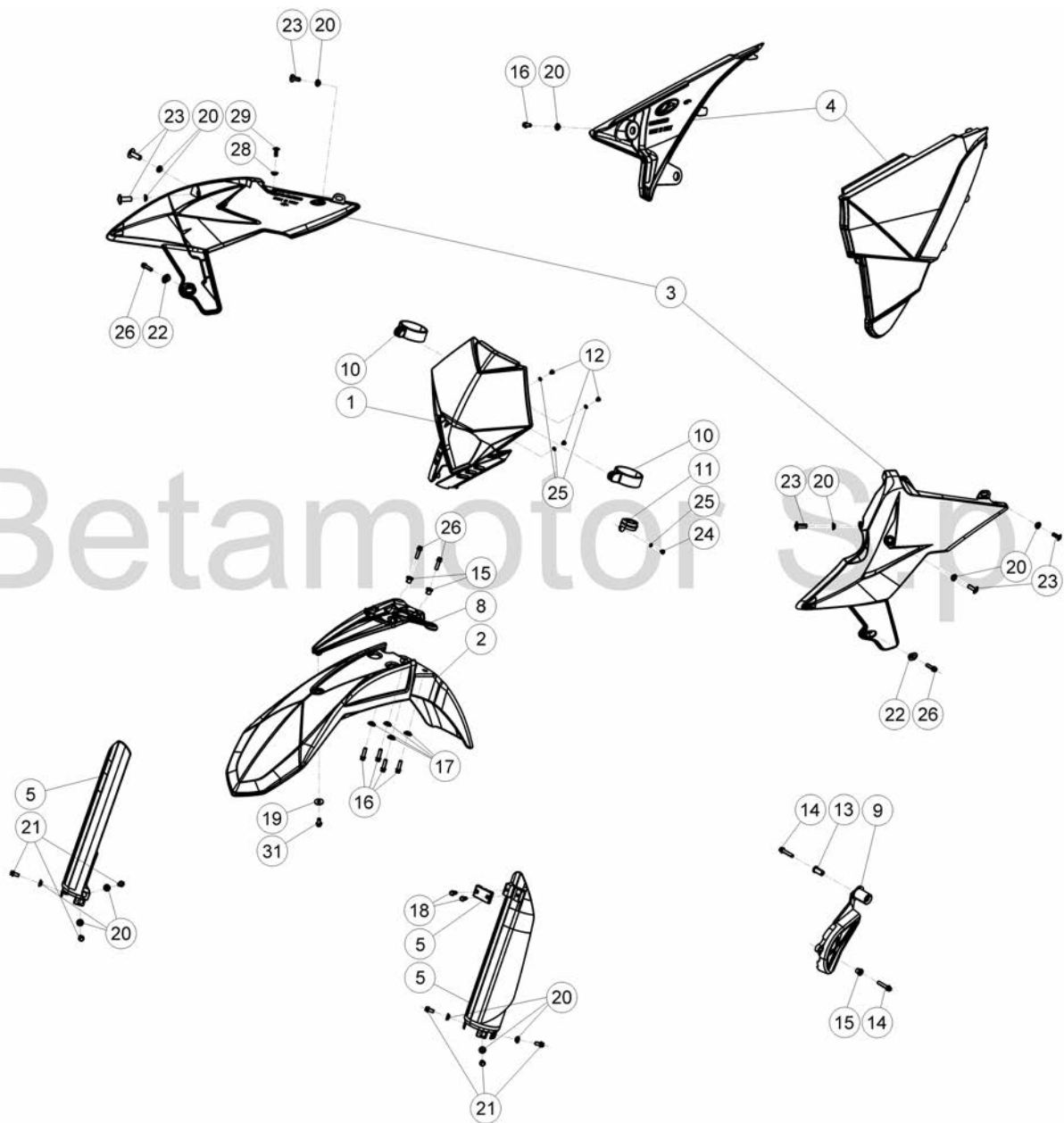


© Copyright 2018 Betamotor S.p.A.

Tav.43

| Pos Loc Ps Pos | Numero Number Numé ro Número Nummer | Q.tà Q.ty Q.té M.ge C.ad | Nota Note Note Nota Anm. | Descrizione | Description | Dé signation | Beschreibung | Descrìpziò n |
|----------------|-------------------------------------|--------------------------|--------------------------|------------------------------------|--------------------------|-----------------------------|-------------------------------|-----------------------------------|
| 1 | 031.43.139.00.51 | 1 | | Serbatoio benzina | Fuel tank | Réervoir carburant | Kraftstofftank | Deposito gasolina |
| 2 | 031.43.065.00.00 | 1 | | Sella | Seat | Siege | Sattel | Sillin |
| 3 | 031.43.030.10.51 | 1 | | Parafango posteriore | Rear mudguard | Garde-boue AR. | Hinterradkotflügel | Guardabarros tras. |
| 5 | 020.43.060.10.59 | 1 | | Protezione telaio Sx | L.H. frame guard | Protection chassis G. | Rahmenschutz Links | Protecciò n bastidor izquierda |
| 6 | 020.43.061.10.59 | 1 | | Protezione telaio Dx | R.H. frame guard | Protection chassis D. | Rahmenschutz Rechts | Protecciò n bastidor derecha |
| 7 | 036.43.006.82.59 | 1 | | Portatarga | Plate holder | Porte-plaque | Kennzeichenträger | Porta matr. |
| 8 | 020.43.034.10.59 | 1 | | Portatarga | Plate holder | Porte-plaque | Kennzeichenträger | Porta matr. |
| 9 | 036.43.041.80.00 | 1 | | Tappo serbatoio benzina | Filler cap | Bouchon de réervoir | Tankverschluss | Tapó n depó sito |
| 10 | 036.43.041.82.00 | 1 | | Tappo benzina completo | Filler cap, assy | Bouchon de réervoir complet | Tankverschluss | Tapó n depó sito de aire completo |
| 11 | 021.43.006.00.00 | 1 | | Tube sfato serbatoio | Reservoir breather pipe | Tuyau reniflard réervoir | Entlüftungsventil, kpl. | Tube alivio depó sito |
| 13 | 031.43.165.82.00 | 1 | | Decalco serie completa | Transfer set | Série Décalcomanie | Rohr Behälterentlüftungs | Seire Calcomanías |
| 14 | 020.43.002.00.00 | 1 | | Distanziale serbatoio benzina ant. | Fuel tank front spacer | Entretoise avant réervoir | Distanzstück vorne Benzintank | Distanciador delantero depó sito |
| 15 | 28.91946.0000 | 2 | | Silentbloc | Silentbloc | Silentbloc | Puffer | Silent-block |
| 16 | 031.43.002.00.00 | 1 | | Distanziale | Spacer | Entretoise | Distanzstück | Distanciador |
| 17 | 11.50010.000 | 1 | | Bullone M6x25 | Bolt M6x25 | Boulon M6x25 | Bolzen M6x25 | Tornillo M6x25 |
| 18 | 31.89010.000 | 1 | | Vite spec. bloccaggio sella | Seat locking screw | Vis blocage selle | Schraube | Tornillo bloqueo sillin |
| 19 | 031.43.163.00.00 | 1 | | Decalco cerchi | Trimmings kit for rims | Jeu enjoliv. jantes | Abziehbildsatz Felgen | Juego calcom. llantas |
| 20 | 15.14264.000 | 1 | | Fascetta | Clamp | Collier | Schelle | Abrazadera |
| 21 | 13.54820.000 | 6 | | Distanziale 6,5x9,0x13,5 | Spacer 6,5x9,0x13,5 | Entretoise 6,5x9,0x13,5 | Distanzstück 6,5x9,0x13,5 | Distanciador 6,5x9,0x13,5 |
| 23 | 31.95510.000 | 2 | | Vite TBCE M6x12 | Screw TBCE M6x12 | Vis TBCE M6x12 | Schraube TBCE M6x12 | Tornillo TBCE M6x12 |
| 24 | 11.48025.000 | 5 | | Bullone 6x16 ch 8 rs | Bolt 6x16 ch 8 rs | Boulon 6x16 ch 8 rs | Bolzen 6x16 ch 8 rs | Tornillo 6x16 ch 8 rs |
| 25 | 27.33740.000 | 2 | | Rivetto filettato M6 | Threaded rivet M6 | Rivet fileté M6 | Niete mit gewinde M6 | Remache roscado M6 |
| 26 | 11.49070.000 | 2 | | Bullone 6x20 ch rs | Bolt 6x20 ch rs | Boulon 6x20 ch rs | Bolzen 6x20 ch rs | Tornillo 6x20 ch rs |
| 27 | 13.62000.000 | 1 | | Distanziale | Spacer | Entretoise | Distanzstück | Distanciador |
| 30 | 031.43.116.00.00 | 1 | | Guarnizione tappo | Packing for cap | Joint bouchon | Deckeldichtung | Junta tapó n |
| 31 | 018.43.010.10.59 | 1 | | Portatarga | Plate holder | Porte-plaque | Kennzeichenträger | Porta matr. |
| 32 | 031.43.103.82.00 | 1 | | Kit catadiottri | Reflectors kit | Jeu catadioptrés | Kit Rückstrahlern | Juego catafaros |
| 33 | 13.11010.000 | 3 | | Dado autobloccante M5 | Self locking nut M5 | Ecrou de sécurité M5 | Mutter, selbstsichernd M5 | Tuerca de seguridad M5 |
| 34 | 27.36000.000 | 3 | | Rondella 5x11 | Washer 5x11 | Rondelle 5x11 | U.Scheibe 5x11 | Arandela 5x11 |
| 35 | 31.29860.000 | 3 | | Vite M5x16 TTLIC | Screw M5x16 TTLIC | Vis M5x16 TTLIC | Schraube M5x16 TTLIC | Tornillo M5x16 TTLIC |
| 36 | 31.79960.000 | 6 | | Vite autofilettante M6x15 | Self tapping screw M6x15 | Vis taraud M6x15 | Schraube, Blech M6x15 | Tornillo autorrosc. M6x15 |
| 37 | 11.50300.000 | 1 | | Bullone 6x30 ch rs | Bolt 6x30 ch rs | Boulon 6x30 ch rs | Bolzen 6x30 ch rs | Tornillo 6x30 ch rs |
| 38 | 031.43.004.82.00 | 2 | | Tampone serbatoio | Tank buffer | Silentbloc réervoir | Puffer tank | Silent-block deposito |
| 41 | 031.43.025.00.00 | 1 | | Copertura sella | Saddle cover | Hous. de selle | Abdeckung | Cubierta sill. |
| 42 | 031.45.107.82.00 | 1 | | Targhette - Kit | Name plates - Kit | Jeu monogrammes - Kit | Plaketten - Satz | Letreros - Juego |
| 43 | 13.62000.000 | 2 | | Distanziale | Spacer | Entretoise | Distanzstück | Distanciador |
| 44 | 11.48025.000 | 2 | | Bullone 6x16 | Bolt 6x16 | Boulon 6x16 | Bolzen 6x16 | Tornillo 6x16 |

Tav.43A

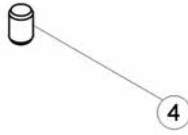


© Copyright 2017 Betamotor S.p.A.

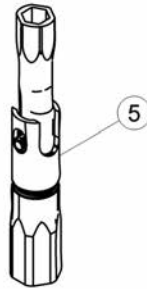
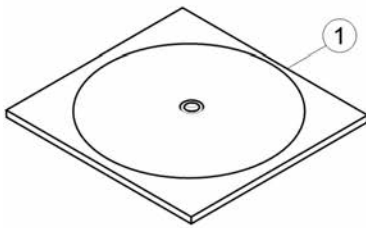


Tav.43A

| Pos Loc Pos Ps Pos | Numero Number Numé ro Número Nummer | Q.tà Q.ty Q.té M.ge C.ad | Nota Note Nota Anm. | Descrizione | Description | Dé signation | Beschreibung | Descrìpçì n |
|--------------------------------|---|--------------------------------------|------------------------------|----------------------------------|---------------------------------|---|----------------------------------|------------------------------------|
| 1 | 020.43.015.00.51 | 1 | | Mascherina | Mask | Masque | Maske | Má scara |
| 2 | 031.43.034.10.51 | 1 | | Parafango anteriore | Front mudguard | Garde-boue avant | Vorderer Kotflügel | Guardabarros delantero |
| 3 | 031.43.140.00.51 | 1 | | Fianchetti serbatoio | Tank panels | Panneaux laterales | Benzintankseiten | Flancos |
| 4 | 026.43.021.00.51 | 1 | | Coppia fianchetti scatola filtro | Airbox panels, pair | Couple cotes laterales boî tier filtre à air | Luftfiltergehä useseiten | Flancos caja filtro aire |
| 5 | 026.45.113.82.51 | 1 | | Protezioni stelo - Kit | Fork tube protections kit | Jeu protections tube fourche | Kit Abdeckungen Gabelschlauch | Juego protecció nes tubo horquilla |
| 8 | 020.43.141.10.59 | 1 | | Supporto parafango | Fender stay | Appui aile | Kotflügelstuetze | Soporte de guardabarros |
| 9 | 020.43.062.10.59 | 1 | | Coperchio pignone | Sprocket cover | Couvercle pignon | Deckel Ritzel | Tapa piñ ó n |
| 10 | 14.40081.000 | 2 | | Elastico fissaggio mascherina | Headlight holder elastic rubber | Elastique de fixation cache phare | Befestigungsband Lichtschildchen | Elastico |
| 11 | 25.24464.000 | 1 | | Passacavo | Grommet | Passe-câ ble | Kabeldurchgang | Pasacables |
| 12 | 31.26190.000 | 3 | | Vite M4x12 TCIC | Screw M4x12 TCIC | Vis M4x12 TCIC | Schraube M4x12 TCIC | Tornillo M4x12 TCIC |
| 13 | 13.49189.000 | 1 | | Distanziale | Spacer | Entretoise | Distanzstü ck | Distancidor |
| 14 | 11.50300.000 | 2 | | Bullone 6x30 ch rs | Bolt 6x30 ch rs | Boulon 6x30 ch rs | Bolzen 6x30 ch rs | Tornillo 6x30 ch rs |
| 15 | 13.49190.000 | 3 | | Distanziale 10mm | Spacer 10mm | Entretoise 10mm | Distanzstü ck 10mm | Distancidor 10mm |
| 16 | 11.48025.000 | 5 | | Bullone 6x16 ch 8 rs | Bolt 6x16 ch 8 rs | Boulon 6x16 ch 8 rs | Bolzen 6x16 ch 8 rs | Tornillo 6x16 ch 8 rs |
| 17 | 13.54841.000 | 4 | | Distanziale | Spacer | Entretoise | Distanzstü ck | Distancidor |
| 18 | 31.79960.000 | 2 | | Vite autofilettante M6x15 | Self tapping screw M6x15 | Vis taraud M6x15 | Schraube, Blech M6x15 | Tornillo autorrosc. M6x15 |
| 19 | 27.74786.000 | 1 | | Rondella | Washer | Rondelle | U.Scheibe | Arandela |
| 20 | 13.54820.000 | 13 | | Distanziale 6,5x9,0x13,5 | Spacer 6,5x9,0x13,5 | Entretoise 6,5x9,0x13,5 | Distanzstü ck 6,5x9,0x13,5 | Distancidor 6,5x9,0x13,5 |
| 21 | 11.47015.000 | 6 | | Bullone M6x10 | Bolt M6x10 | Boulon M6x10 | Bolzen M6x10 | Tornillo M6x10 |
| 22 | 020.43.012.00.00 | 2 | | Distanziale | Spacer | Entretoise | Distanzstü ck | Distancidor |
| 23 | 31.95510.000 | 6 | | Vite TBCE M6x12 | Screw TBCE M6x12 | Vis TBCE M6x12 | Schraube TBCE M6x12 | Tornillo TBCE M6x12 |
| 24 | 31.23360.000 | 1 | | Vite autofilettante 4x10 | Self tapping screw 4x10 | Vis taraud 4x10 | Schraube, Blech 4x10 | Tornillo autorrosc. 4x10 |
| 25 | 27.34650.000 | 4 | | Rondella | Washer | Rondelle | U.Scheibe | Arandela |
| 26 | 11.49070.000 | 4 | | Bullone 6x20 ch rs | Bolt 6x20 ch rs | Boulon 6x20 ch rs | Bolzen 6x20 ch rs | Tornillo 6x20 ch rs |
| 28 | 13.62000.000 | 1 | | Distanziale | Spacer | Entretoise | Distanzstü ck | Distancidor |
| 29 | 31.30035.000 | 1 | | Bullone M6x25 TBCEI | Bolt M6x25 TBCEI | Boulon M6x25 TBCEI | Bolzen M6x25 TBCEI | Tornillo M6x25 TBCEI |
| 31 | 11.46501.000 | 1 | | Bullone M6x10 | Bolt M6x10 | Boulon M6x10 | Bolzen M6x10 | Tornillo M6x10 |



Betamotor S.p.A.



© Copyright 2016 Betamotor S.p.A.

| Pos Loc Pos Ps Pos | Numero Number Numéro Número Nummer | Q.tà Q.ty Q.té M.ge C.ad | Nota Note Note Nota Anm. | Descrizione | Description | Dé signation | Beschreibung | Descrìpiòn |
|--------------------------------|--|--------------------------------------|--------------------------------------|-------------------------------|--------------------|---------------------------------------|------------------------------------|--------------------------------|
| 1 | 031.44.052.00.00 | 1 | | CD Manuale uso e manutenzione | Owner' s manual CD | CD Manuel d' utilisation et entretien | CD Bedienungs und Wartungshandbuch | CD Manual de Uso y Manutención |
| 2 | 020.44.202.80.00 | 1 | | Borsa attrezzi | Tool roll | Trousse à outils | Werkzeugtasche | Bolsa herramientas |
| 3 | 020.44.003.00.00 | 1 | | Chiave a brugola 6mm | Allen wrench 6mm | Clé Allen 6mm | Sechskantschlüssel 6mm | Llave de imbus 6mm |
| 4 | 020.44.004.00.00 | 1 | | Bussola 8 | Bush 8 | Joint 8 | Buchse 8 | Buje 8 |
| 5 | 020.44.010.00.00 | 1 | | Chiave candela | Ignition wrench | Clé à bougie | Zündkerzenschlüssel | Llave buja |
| 6 | 031.44.016.82.00 | 1 | | Strumento diagnostica | Check instrument | Instrument de diagnostic | Diagnose-Instrument | Instrumento de diagnosis |



Handwriting practice area consisting of 20 horizontal dotted lines.



